

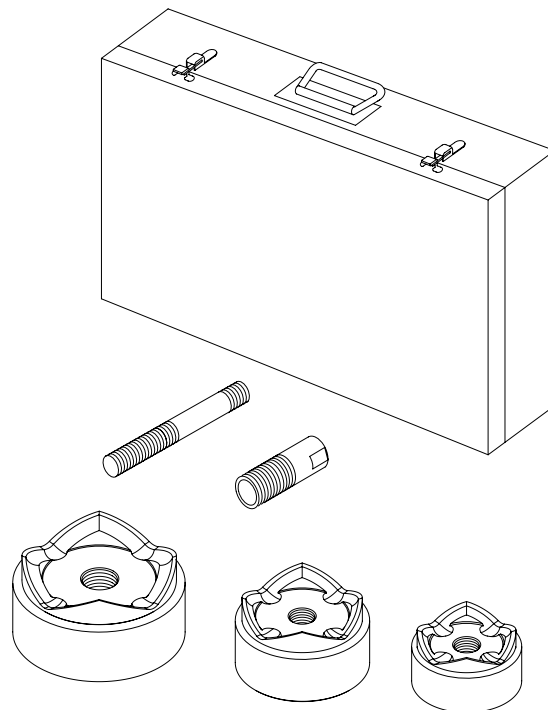


Current Tools

FOR THE PROFESSIONAL ELECTRICIAN

Model 166SS

**2½", 3" and 4" Punches, Dies and Draw Studs
for Stainless Steel up to 10 Gauge**



Operating, Maintenance, Safety and Parts Manual

02/14 REV. 1



Read and understand this material before operating or servicing any component of the Knockout Set. Failure to understand how to safely operate and service this unit may result in serious injury or death.

This manual is free of charge. All personnel who operate this Knockout Set should have a copy of this manual and read and understand its contents. To request a copy, call, write to the address below or visit our website.

**CURRENT TOOLS • P. O. BOX 17026 • GREENVILLE, SC 29606
800-230-5421 or 864-721-4230 • FAX 864-721-4232 • www.currenttools.com**



TABLE OF CONTENTS

<i>Safety Alerts</i>	2
<i>Safety Information</i>	3
<i>Operating Instructions</i>	4
<i>Set Ups Diagram</i>	5
<i>Component and Parts List</i>	6
<i>Knockout Punches Actual Hole Size Chart</i>	6



SAFETY ALERTS



Safety Alert Symbol

THIS SAFETY SYMBOL is used to call your attention to instructions that concern your personal safety. It means: ATTENTION! BE AWARE! THIS IS AN IMPORTANT SAFETY INSTRUCTION!

Read, understand and follow these safety instructions. Failure to follow these safety instructions may result in injury or death.



DANGER

Immediate hazards which, if not avoided, WILL result in serious personal injury or death.



WARNING

Hazards or unsafe practices which, if not avoided, COULD result in serious personal injury or death.



CAUTION

Hazards or unsafe practices which, if not avoided, COULD result in minor personal injury or property damage.

RETAIN SAFETY INFORMATION



This manual should be read and understood by all personnel who operate or service this Knockout Set. Failure to understand how to safely operate and service this unit could result in injury or death. This unit should only be operated or serviced by qualified personnel.



Because you will be using components from the Current Tools #152/#152PM, #154/154PM or #161SS hydraulic knockout sets, read and understand the information contained in the operating manual for those sets. For a FREE copy of any of these manuals, call, write to the address on the front of this manual, or visit our website at www.currenttools.com.



IMPORTANT SAFETY INFORMATION

Follow ALL safety information provided by the manufacturer.

▲ DANGER

NEVER use the Knockout Set or any of its components near live circuits.

▲ WARNING

ALWAYS thread the punch COMPLETELY onto the draw stud to avoid thread failure. If the punch tightens before it is completely threaded onto the draw stud, disassemble the set-up and determine the cause. Then reassemble the set-up.

▲ WARNING

NEVER operate the hydraulic ram with an electric pump.

▲ WARNING

NEVER attempt to exceed the punching capacity of this knockout set. Doing so may cause component failure and possibly serious injury or death.

▲ WARNING

NEVER use this knockout set or any of its components except for its intended purpose.

▲ WARNING

NEVER attempt to punch a hole through more than a single layer of material. Doing so may cause component failure and possibly serious injury or death.

▲ WARNING

Be careful of your footing and balance during the punching process. Make sure to have total control of your balance as the slug breaks free from the hole at the end of the punching process.

▲ CAUTION

NEVER use any component that has worn or damaged threads.

▲ CAUTION

ALWAYS check to ensure all components are properly assembled before punching.

▲ CAUTION

New punches are sharp. Be careful when handling them.

▲ CAUTION

ALWAYS wear safety glasses when punching.



OPERATING INSTRUCTIONS



Because you will be using components from the Current Tools #152/#152PM, #154/154PM or #161SS hydraulic knockout sets, read and understand the information contained in the operating manuals for those sets. For a FREE copy of any of these manuals, call or write to the address on the front of this manual, or visit our website at www.currenttools.com.

1. Match the punch, die and draw stud as required for the size hole to be punched. (See Figure 1A and 1B).
2. After marking the hole location, drill a hole approximately 1/32" to 1/16" larger than the draw stud being used.

NOTE: Alternate Method – drill a 1/2" hole to accept the 7/16" draw stud (Part #1574) and use the 1/2" stainless steel punch and die to increase the hole size to accept the 3/4" draw stud (Part #1575). Then, if needed, use 1" stainless steel punch and die to increase the hole size to accept the 1 1/8" adapter.

3. When using the 2 1/2" and 3" punch and die, thread the end of the 3/4" draw stud (Part #1575) with the shortest thread length into the ram until snug (Figure 1A).

When using the 3 1/2" and 4" punch and die, thread the 1 1/8" adapter (Part #1552) over the 3/4" draw stud (Part #1575) until snug. The threaded end of the 1 1/8" adapter should face away from the ram (See Figure 1B).

4. Slide the die over the draw stud with the open end of the die facing away from the ram.
5. Place the draw stud through the hole you drilled in Step 2. Then thread the punch onto the draw stud with the cutting edge facing toward the material to be punched. Thread the punch onto the draw stud until the punch and die are snug against the material.

WARNING

ALWAYS thread the punch COMPLETELY onto the draw stud to avoid thread failure. If the punch tightens before it is completely threaded onto the draw stud, disassemble the set-up and determine the cause. Then reassemble the set-up.

6. Complete the punching process by activating the hand pump.



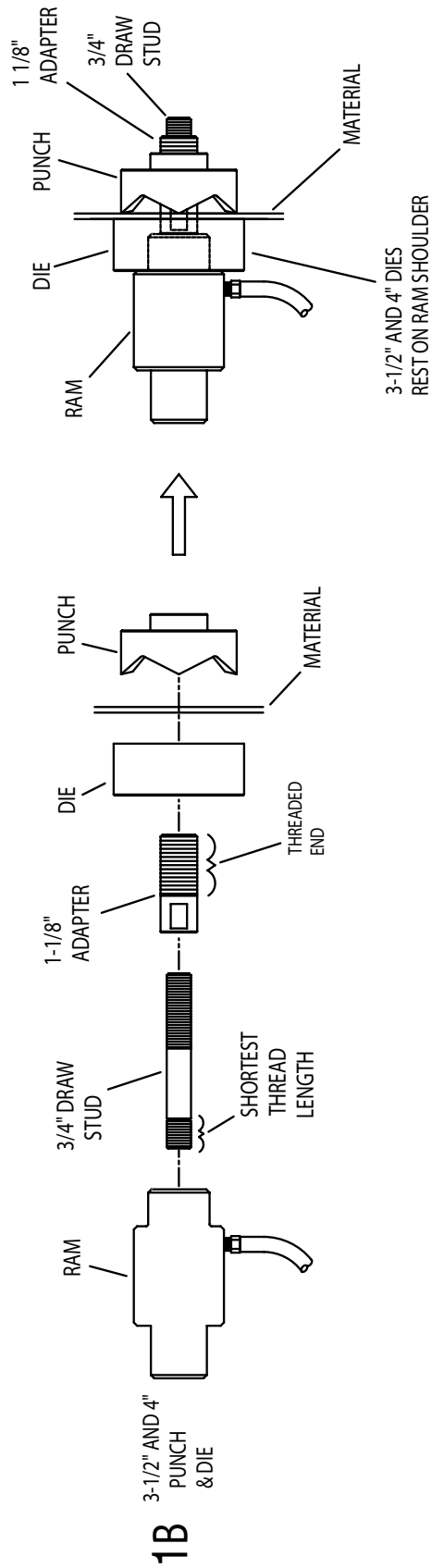
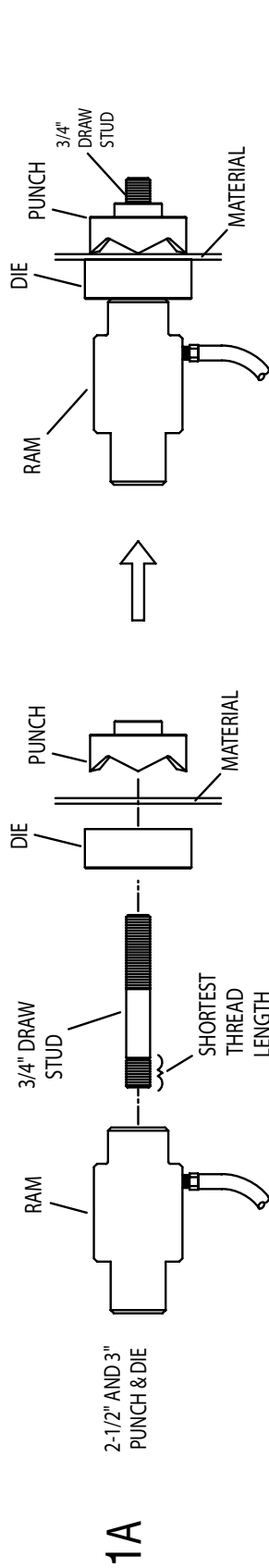
DO NOT continue to operate the pump after the ram completes the punch. Doing so will damage the ram and could cause component failure resulting in serious injury or death.



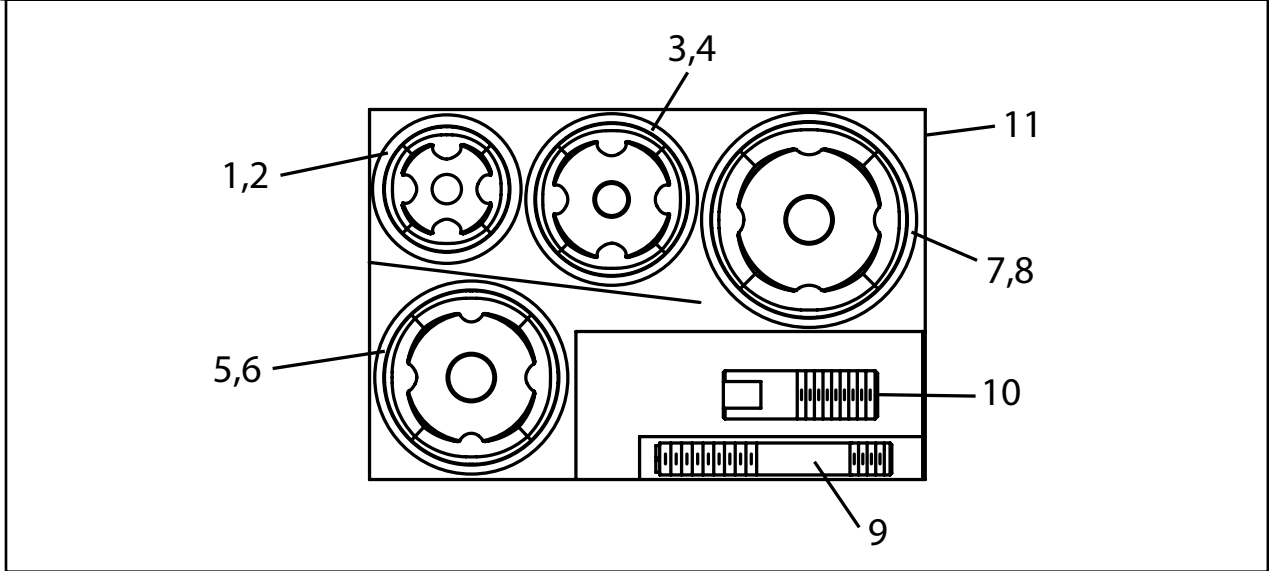
If the ram motion stops before the punching process is completed, DO NOT continue to operate the pump. Release the pump pressure, disassemble the set-up, and determine the cause before continuing.



ALWAYS support the weight of the ram while punching. An unsupported ram could fall, causing injury.



COMPONENTS – KNOCKOUT SET – 166SS



PARTS LIST – 166SS

<u>ITEM#</u>	<u>CATALOG#</u>	<u>QTY</u>	<u>DESCRIPTION</u>
1	1583	1	2½" SS Punch
2	1584	1	2½" SS Die
3	1585	1	3" SS Punch
4	1586	1	3" SS Die
5	1587	1	3½" SS Punch (optional)
6	1588	1	3½" SS Die (optional)
7	1589	1	4" SS Punch
8	1590	1	4" SS Die
9	1575	1	¾" X 5½" SS Draw Stud
10	1552	1	1⅛" Adapter
11	1504	1	Metal Case

KNOCKOUT PUNCHES – ACTUAL HOLE SIZE

<u>Catalog Number</u>	<u>Punch and Conduit Size</u>	<u>Actual Hole Punched Diameter</u>
1583	2½"	2.910"
1585	3"	3.545"
1587	3½"	4.048"
1589	4"	4.550"