

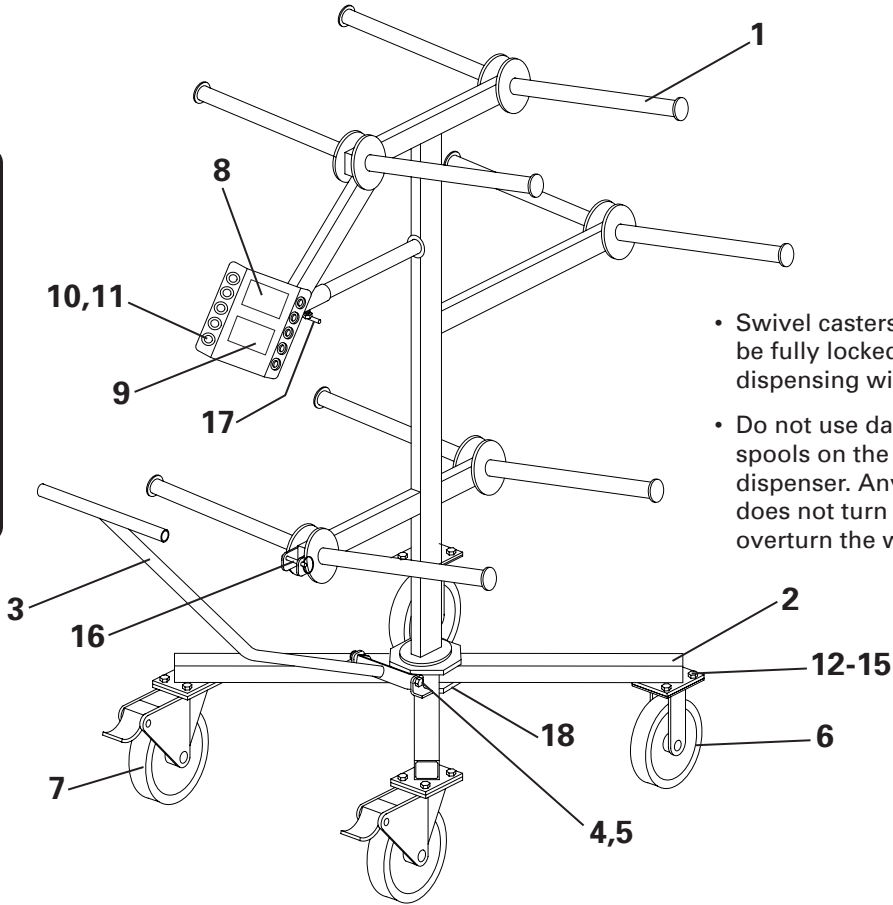
Model 503 Wire Tree

⚠ CAUTION

ONLY ROLL ON A FLAT, SMOOTH SURFACE. KEEP WEIGHT DISTRIBUTED EVENLY BETWEEN BOTH SIDES. UNLOAD THE TOP SPINDLES BEFORE THE BOTTOM AND LOAD THE BOTTOM SPINDLES BEFORE THE TOP. A TOP OR SIDE HEAVY LOAD MAY CAUSE THE UNIT TO TIP OVER, DAMAGING EQUIPMENT OR CAUSING INJURY.

MAXIMUM CAPACITY

TEN 18" DIAMETER SPOOLS
 - 125 LBS PER SPOOL
 - 1250 LBS TOTAL
 THE ABOVE LOADS MUST BE BALANCED



- Swivel casters should be fully locked prior to dispensing wire.
- Do not use damaged spools on the wire tree dispenser. Any spool that does not turn freely may overturn the wire tree.

INSTRUCTION SHEET AND PARTS LIST

PARTS LIST — 503 WIRE TREE							
ITEM#	PART#	QTY	DESCRIPTION	ITEM#	PART#	QTY	DESCRIPTION
1	503-010	1	FRAME-TOP	10	503-4A	10	NIPPLE, 1/2" CONDUIT
2	503-005	1	BASE	11	77-041A	10	NUT, LOCK, 1/2" CONDUIT
3	503-374	1	HANDLE	12	524-11	12	SCREW, HEX HEAD, 3/8-16x1"
4	12024-4	1	SCREW, HEX HEAD CAP, 1/2-13x7.5	13	506-3	12	WASHER, FLAT
5	333-7	1	NUT, HEX, 1/2-13, NYLON INSERT	14	452-27	12	WASHER, LOCK
6	503-8	2	CASTER, RIGID	15	452-28	12	NUT, HEX, 3/8-16
7	503-9	2	CASTER, SWIVEL	16	9544-7	1	PIN, PULL DETENT
8	503-36A	1	DECAL, CAUTION	17	503-230	1	BOLT, ADJUSTMENT
9	503-36	1	DECAL, MODEL NUMBER	18	503-38	1	PIN, -COTTER, 3/16"x2"

⚠ Read and understand this material before operating the Wire Tree. Failure to understand how to safely operate this Wire Tree may result in injury or property damage.

This manual is free of charge. All personnel who operate the Wire Tree should have a copy of this manual and read and understand its contents. To request a copy, call or write to the address below.