



# BENDING

## 77 Series Electric Bender

- Rugged and dependable electrical system
- Easy to maintain and service
- Removable handle to allow for dogleg bends
- Powerful motor will make 180° bends on up to 2" rigid conduit
- Two year warranty
- Made in the USA

*To bend 1/2" thru 2"  
EMT, IMC, Rigid and 40 mil  
PVC coated conduit*

**New Handle Design**



**Shoes and roller support assemblies will fit Greenlee's® 555® electric bender\***



\* Greenlee® and 555® are registered trademarks of Greenlee/Texton.



**Current Tools**  
FOR THE PROFESSIONAL ELECTRICIAN

[www.currenttools.com](http://www.currenttools.com)

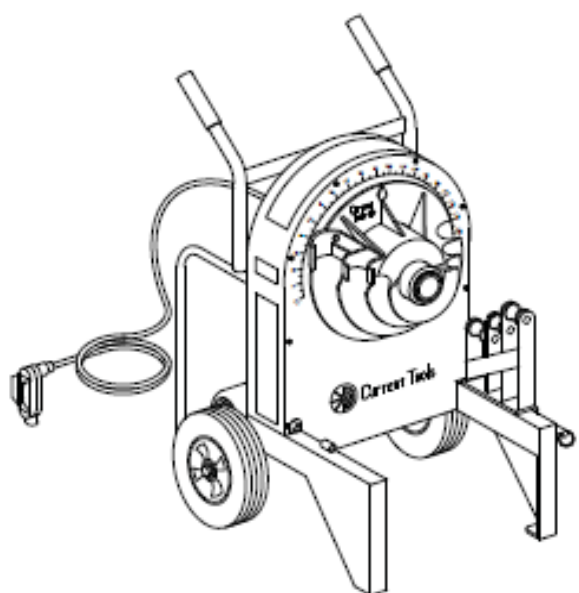
P.O. Box 17028 • Greenville, SC 29608 • 864.244.1201 • fax 864.244.5860 • 800.230.5421

# BENDING



Catalog Number	Description	Weight
77	Electric Bender Power Source only (no shoes)	270 lbs.
77RIG	Electric Bender with No. 700R Rigid shoes & accessories	365 lbs.
77EMT	Electric Bender with No. 700E EMT shoes & accessories	430 lbs.
77IMC	Electric Bender with No. 700I IMC shoes & accessories	410 lbs.
77PVC	Electric Bender with No. 700P 40 mil PVC coated conduit bending shoes & accessories	365 lbs.
77COM	Electric Bender with No. 700E, No. 700I, & 700R shoes & accessories (EMT, IMC & Rigid)	660 lbs.

*See pages 6-7 for shoe groups.*



## Bend Radius Chart

Size	EMT	IMC	Rigid
1/2"	4-1/4	4-3/8	4-3/8
3/4"	5-3/8	4-1/2	4-1/2
1"	6-3/4	5-3/4	5-3/4
1 1/4"	8-3/4	7-1/4	7-1/4
1 1/2"	8-9/32	8-9/32	8-1/4
2"	9-3/16	9-3/16	9-1/2

## SPECIFICATIONS

### Power Source

120 vac; 20 amp  
GFCI protected  
receptacle  
required

### Capacity

77RIG 1/2" to 2" Rigid conduit and  
1/2" to 1 1/4" IMC conduit  
77EMT 1/2" to 2" EMT conduit  
77IMC 1 1/2" to 2" IMC conduit  
77PVC 1/2" to 2" 40 mil PVC coated  
conduit

### Dimensions

Height: 42"  
Width: 29.5"  
Depth: 24.5"



[www.currenttools.com](http://www.currenttools.com)

**Current Tools**   
FOR THE PROFESSIONAL ELECTRICIAN

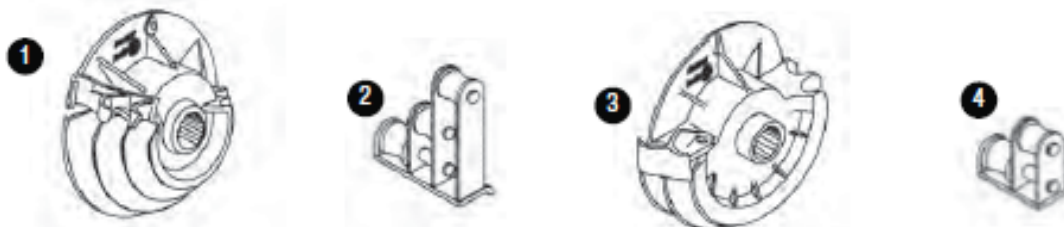
P.O. Box 17026 • Greenville, SC 29606 • 864.244.1201 • fax 864.244.5860 • 800.230.5421



# BENDING

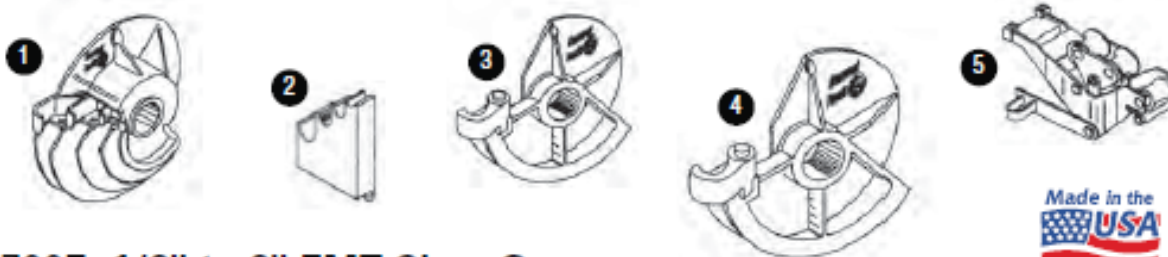
## 77 Shoe Group Assemblies

All shoes and roller supports will fit Greenlee® 555® Electric Bender\*



### 700R 1/2" - 2" Rigid Shoe Group

Item Number	Catalog Number	Description	Weight
1	2-1301	1/2" - 1-1/4" Rigid and IMC bending shoe	23 lbs.
2	2-1001	1/2" - 1-1/4" Rigid and IMC support roller	8 lbs.
3	2-1401	1-1/2" and 2" Rigid bending shoe	37 lbs.
4	2-1002	1-1/2" and 2" Rigid support roller	6 lbs.



### 700E 1/2" to 2" EMT Shoe Group

Item Number	Catalog Number	Description	Weight
1	2-1501	1/2" - 1-1/4" EMT bending shoe	24 lbs.
2	2-1003	1/2" - 1-1/4" EMT support unit	6 lbs.
3	2-1601	1-1/2" EMT bending shoe	23 lbs.
4	2-1701	2" EMT bending shoe	31 lbs.
5	2-1100	1-1/2" - 2" EMT support roller unit	40 lbs.
not shown	8-0501	Metal storage box (see page 77. )	36 lbs.

### 700ES 1 1/2" to 2" EMT Shoe Group

Item Number	Catalog Number	Description	Weight
3	2-1601	1-1/2" EMT bending shoe	23 lbs.
4	2-1701	2" EMT bending shoe	31 lbs.
5	2-1100	1-1/2" - 2" EMT support roller unit	40 lbs.

\*Greenlee® and 555® are registered trademarks of Greenlee/Extron.



**Current Tools**  
FOR THE PROFESSIONAL ELECTRICIAN

[www.currenttools.com](http://www.currenttools.com)

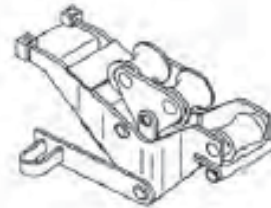
P.O. Box 17026 • Greenville, SC 29606 • 864.244.1201 • fax 864.244.5860 • 800.230.5421

# BENDING



## 77 Shoe Group Assemblies

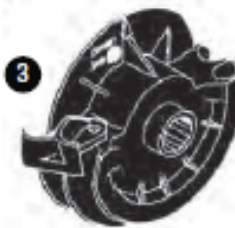
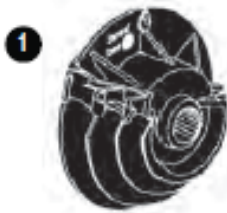
All shoes and roller supports will fit Greenlee® 555® Electric Bender\*



### 700I 1 1/2" to 2" IMC Shoe Group

Item Number	Catalog Number	Description	Weight
1	2-1801	1-1/2" IMC bending shoe	22 lbs.
2	2-1901	2" IMC bending shoe	29 lbs.
3	2-1200	1-1/2" and 2" IMC support roller unit	40 lbs.
not shown	8-0501	Metal storage box (see page 77.)	36 lbs.

1/2" thru 1-1/4" IMC can be bent using small rigid shoe & roller support



### 700P 1/2" - 2" 40mil PVC Coated Rigid Shoe Group

Item Number	Catalog Number	Description	Weight
1	2-2001	1/2"- 1-1/4" PVC coated rigid bending shoe	23 lbs.
2	2-1004	1/2"- 1-1/4" PVC coated rigid support roller	8 lbs.
3	2-2101	1-1/2" and 2" PVC coated rigid bending shoe	37 lbs.
4	2-1005	1-1/2" and 2" PVC coated rigid support roller	6 lbs.
not shown	8-0501	Metal storage box (see page 77.)	36 lbs.

\*Greenlee® and 555® are registered trademarks of Greenlee/Texton.

[www.currenttools.com](http://www.currenttools.com)



P.O. Box 17026 • Greenville, SC 29606 • 864.244.1201 • fax 864.244.5860 • 800.230.5421