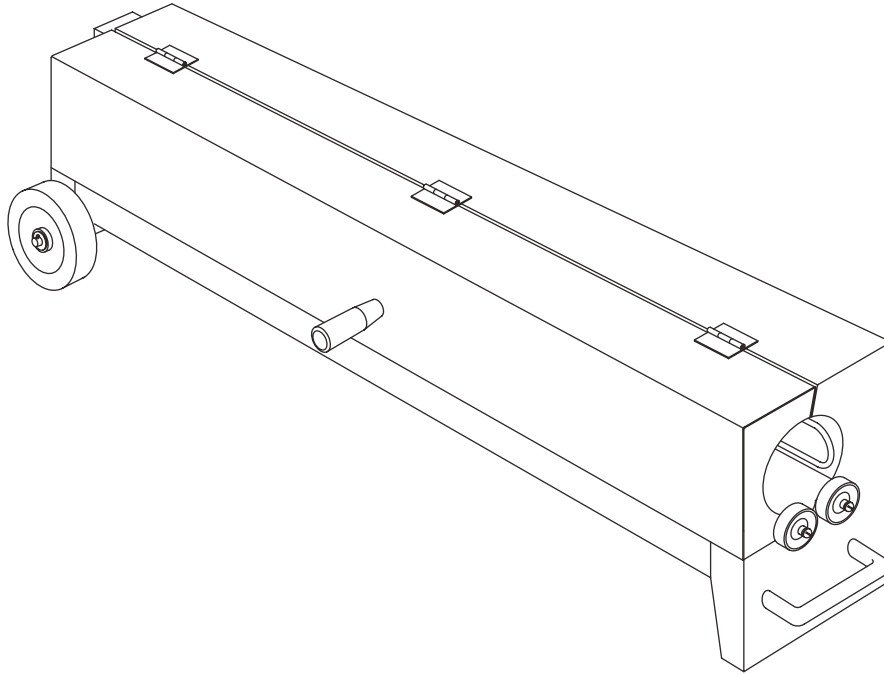




# ***Current Tools***

**FOR THE PROFESSIONAL ELECTRICIAN**

Current Tools™ Model 451  
1/2" to 4" PVC Heater



## **Operating, Maintenance, Safety and Parts Manual**



**Read and understand this material before operating or servicing this PVC heater. Failure to understand how to safely operate and service this unit may result in serious injury or death.**

This manual is free of charge. All personnel who operate or service this PVC heater should have a copy of this manual and read and understand its contents. To request a copy, call or write to the address below.

CURRENTTOOLS • P. O. BOX 17026 GREENVILLE, SC 29606  
800.230.5421 or 864.244.1201 • FAX 864.244.5860  
[www.currenttools.com](http://www.currenttools.com)

## RETAIN SAFETY INFORMATION



This manual should be read and understood by all personnel who operate or service this PVC heater. Failure to understand how to safely operate and service this unit could result in injury or death. This unit should only be operated by qualified personnel.

## IMPORTANT SAFETY INFORMATION

- ALWAYS wear hand protection when operating this equipment and when bending PVC conduit. Use handle to open and close the PVC heater door.
- DO NOT use in wet conditions. DO NOT expose to rain or moisture.
- DO NOT use near flammable materials.
- DO NOT leave PVC heater unattended.
- Turn PVC heater off when not in use.
- Use for heating PVC conduit only. DO NOT use for any other purpose.
- Use only for PVC conduit sizes specified.
- Operate only in a well ventilated area.

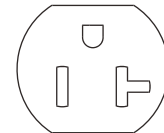
*The electric plug on this PVC heater includes a grounding conductor as shown. Do NOT modify the plug. Only connect the unit to a 20 AMP GFCI protected receptacle which is properly installed and grounded to meet all applicable electrical codes. Do NOT use an adapter.*

### **⚠ WARNING ⚠**

**ELECTRIC SHOCK HAZARD!** Only connect this PVC Heater to a 20 AMP GFCI protected circuit. Do NOT modify the plug which is provided with the unit. Failure to follow these warnings can result in serious injury or death.



PLUG



RECEPTACLE

## SPECIFICATIONS — 451 PVC Heater

<b>Model No.</b>	- 451
<b>Capacity</b>	- 1/2" to 4" PVC conduit
<b>Power</b>	- 115 volts AC, 20 amps, 60 hz, 2300 watts
<b>Dimensions</b>	- 8 5/8" x 12 7/8" x 56"
<b>Weight</b>	- 50 lbs.

## MATERIALS NEEDED

- Sponge or clean cloth
- Bucket with clean water
- Insulated gloves







# PARTS LIST — 451 PVC Heater

<u>ITEM#</u>	<u>PARTS #</u>	<u>QTY</u>	<u>DESCRIPTION</u>
1	451-28	1	HOUSING FAB (SEE BREAKDOWN)
2	451-6	1	BACK SHIELD
3	451-15	1	BOTTOM SHIELD
4	450-9	1	INSULATION-2" THICK ( 8" W X 52" L )
5	451-8	1	DOOR SHIELD
6	451-7	1	ELECTRICAL BOX
7	451-7A	1	COVER-ELECTRICAL BOX
8	451-19	1	SWITCH
9	450-11	1	PULL HANDLE
10	450-12	1	DOOR HANDLE
11	77-068	1	POWER CORD
12	451-13	2	WHEEL
13	451-24	1	AXLE
14	451-1	1	ELEMENT
15	451-4	2	RETAINER BRACKET
16	451-4A	2	RETAINER CLIP
17	9518SR-9	6	SKATE WHEEL
18	451-20	4	SLT RD HD MACH. SCREW 1/4-20 X 1"
19	450-18	1	STRAIN RELIEF
20	450-14J	4	#10 FLAT WASHER
21	451-21	4	#10-32 HEX NUT
22	451-22	6	SLOTTED MACH. SCREW #10-32 X 3/8"
23	450-14C	2	1/4-20 HEX NUT
24	450-14G	6	1/4" LOCK WASHER
25	451-23	2	COTTER PIN (3/32" X 3/4")
26	451-25	2	1/2" FLAT WASHER
27	450-28A	4	RIVET-3/16 X 1/4 (SS)
28	450-14I	8	1/4" FLAT WASHER
29	450-11A	2	8 X 12 HEX HD. CAP SCREW
30	450-11B	2	M8 LOCK WASHER
31	450-29	2	SLOTTED MACH. SCREW 1/4-20 X 1-1/4"
32	451-31	1	WIRING KIT (NOT SHOWN)
33	451-32	1	HEAT SHIELD
34	450-16	1	INSULATION-1" THICK ( 2" W X 52" L )
35	450-9	2	INSULATION-2" THICK ( 5 1/2" W X 24" L )
36	450-16	1	INSULATION-1" THICK ( 5 1/2" W X 52" L )
37	450-16	1	INSULATION-1" THICK ( 2 3/4" W X 52" L )