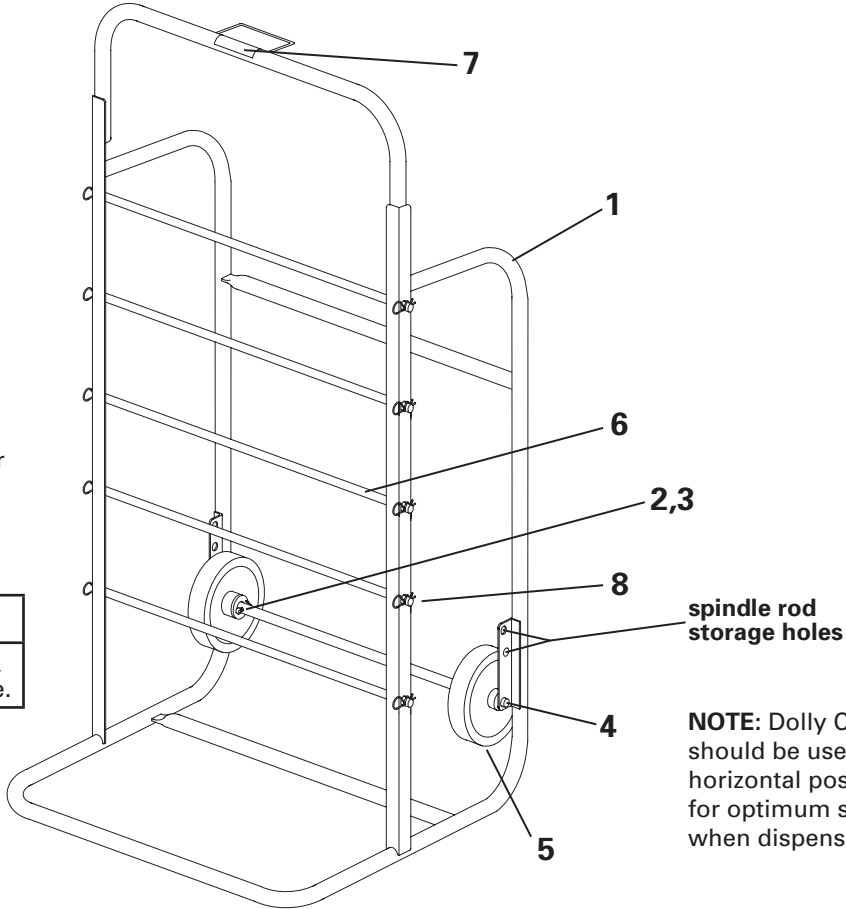


Model 501 Dolly Cart



CAPACITY:
 6 – 2500' spools
 up to 16" diameter
OR
 15 – 500' spools

CAUTION
 Only roll on a firm,
 flat, smooth surface.

NOTE: Dolly Cart
 should be used in a
 horizontal position
 for optimum stability
 when dispensing wire

INSTRUCTION SHEET AND PARTS LIST

PARTS LIST — 501 DOLLY CART			
ITEM#	PART#	QTY	DESCRIPTION
1	501-363	1	FRAME
2	501-14	2	COTTER PIN, 1/8" x 1 1/4"
3	77-017	2	WASHER
4	501-367	1	AXLE
5	501-2	2	WHEEL
6	501-368	5	SPINDLE ROD
7	501-5	1	DECAL
8	406-3	10	SPRING CLIP

CAUTION
 Read and understand this material before operating the
 Dolly Cart. Failure to understand how to safely operate
 this Cart may result in injury or property damage.

This manual is free of charge. All personnel who
 operate the Dolly Cart should have a copy of this
 manual and read and understand its contents. To
 request a copy, call or write to the address below.