



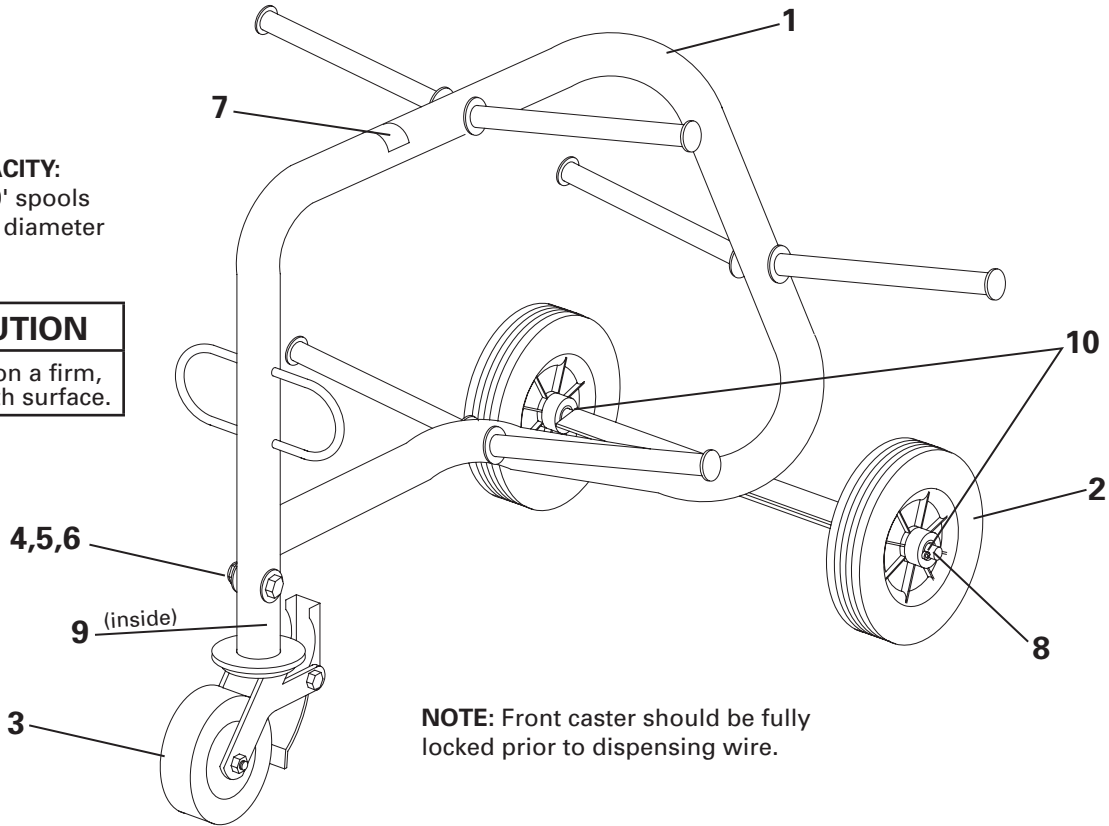
Current Tools

FOR THE PROFESSIONAL ELECTRICIAN

Model 502 Turtle Cart

CAPACITY:
6 – 2500' spools
up to 18" diameter

CAUTION
Only roll on a firm,
flat, smooth surface.



NOTE: Front caster should be fully locked prior to dispensing wire.

INSTRUCTION SHEET AND PARTS LIST

PARTS LIST — 502 TURTLE CART			
ITEM#	PART#	QTY	DESCRIPTION
1	502-248	1	FRAME
2	502-3	2	WHEEL, SEMI-PNEUMATIC
3	502-2	1	CASTER, SCAFFORD
4	281-1E	1	SCREW, HEX HEAD CAP, 1/2-13x3"
5	451-25	2	WASHER, FLAT
6	333-7	1	NUT, HEX, 1/2-13, NYLON INSERT
7	502-5	1	DECAL
8	501-14	2	COTTER PIN, 1/8"x1 1/4"
9	502-15	1	SPACER TUBE
10	77-017	4	WASHER

! Read and understand this material before operating the Turtle Cart. Failure to understand how to safely operate this Cart may result in injury or property damage.

This manual is free of charge. All personnel who operate the Turtle Cart should have a copy of this manual and read and understand its contents. To request a copy, call or write to the address below.

CURRENT TOOLS • P.O. BOX 17026 • GREENVILLE, SC 29606
800.230.5421 or 864-721-4230 • FAX 864-721-4232 • www.currenttools.com