

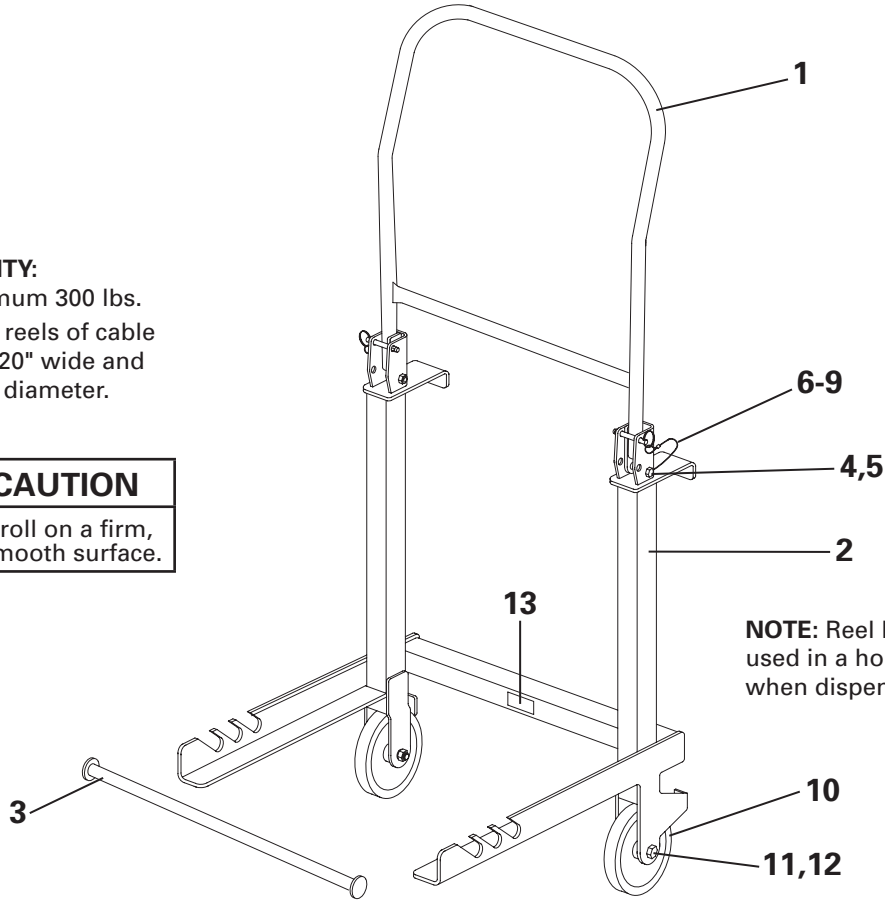
Model 504 Reel Dolly

CAPACITY:

- Maximum 300 lbs.
- Holds reels of cable up to 20" wide and 40" in diameter.

⚠ CAUTION

Only roll on a firm, flat, smooth surface.




NOTE: Reel Dolly must be used in a horizontal position when dispensing wire.

INSTRUCTION SHEET AND PARTS LIST

PARTS LIST — 504 REEL DOLLY

ITEM#	PART#	QTY	DESCRIPTION	ITEM#	PART#	QTY	DESCRIPTION
1	504-523	1	HANDLE	8	670-6	4	CABLE STOP
2	504-WELDMENT	1	FRAME	9	670-6A	2	CABLE FERRULE
3	504-199	1	RACK BAR	10	504-3	2	WHEEL
4	281-1E	2	SCREW, HEX HEAD CAP, 1/2-13x3"	11	504-4	2	SCREW, HEX HEAD CAP, 5/8-11x3 1/2"
5	333-7	2	NUT, HEX, 1/2-13, NYLON INSERT	12	2-1401-4	2	NUT, HEX, 5/8-11 NYLON INSERT
6	504-23	2	QUICK RELEASE PIN	13	504-DECAL	1	DECAL
7	CABLE-STRANDED	2	STRANDED CABLE				



Read and understand this material before operating the Reel Dolly. Failure to understand how to safely operate this Reel Dolly may result in injury or property damage.

This manual is free of charge. All personnel who operate the Reel Dolly should have a copy of this manual and read and understand its contents. To request a copy, call or write to the address below.