

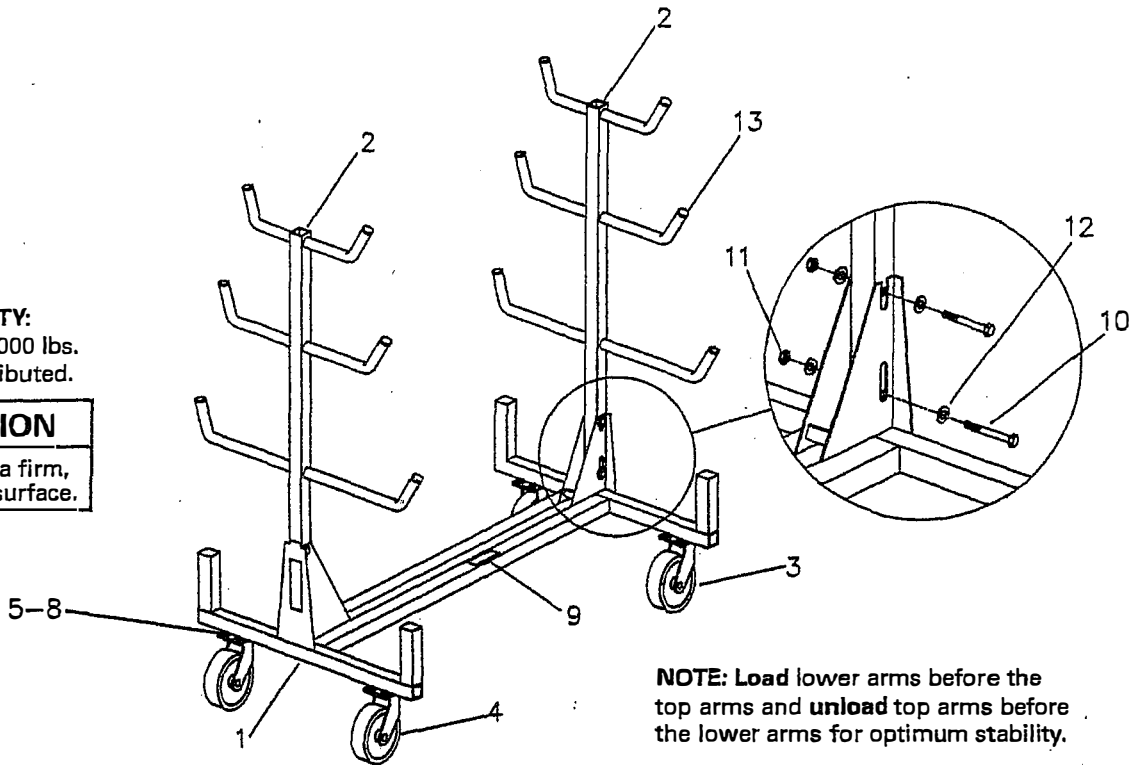


Current Tools
FOR THE PROFESSIONAL ELECTRICIAN

Model 505 Conduit Rack

CAPACITY:
Maximum 1000 lbs.
Evenly distributed.

CAUTION
Only roll on a firm,
flat, smooth surface.



INSTRUCTION SHEET AND PARTS LIST

PARTS LIST — 505 CONDUIT RACK

ITEM#	PART#	QTY	DESCRIPTION
1	505-245	1	BASE
2	505-246	2	ARM
3	506-2	2	CASTER, RIGID
4	506-1	2	CASTER, SWIVEL
5	281-2D	16	SCREW, HEX HEAD CAP 3/8-16 x 1-1/4"
6	506-3	16	WASHER, FLAT
7	452-27	16	WASHER, LOCK

ITEM#	PART#	QTY	DESCRIPTION
8	452-28	16	NUT, HEX, 3/8-16
9	505-10	1	DECAL
10	281-IE	4	SCREW, HEX HEAD CAP 1/2-13 x 3"
11	281-IJ	4	NUT, HEX, 1/2-13 THIN NYLON INSERT
12	451-25	8	WASHER, FLAT
13	505-18	12	PLUG, PLASTIC



Read and understand this material before operating the Conduit Rack. Failure to understand how to safely operate this Conduit Rack may result in injury or property damage.

This manual is free of charge. All personnel who operate the Conduit Rack should have a copy of this manual and read and understand its contents. To request a copy, call or write to the address below.

CURRENT TOOLS • P.O. BOX 17026 • GREENVILLE, SC 29606
800.230.5421 or 864-721-4230 • FAX 864-721-4232 • www.currenttools.com