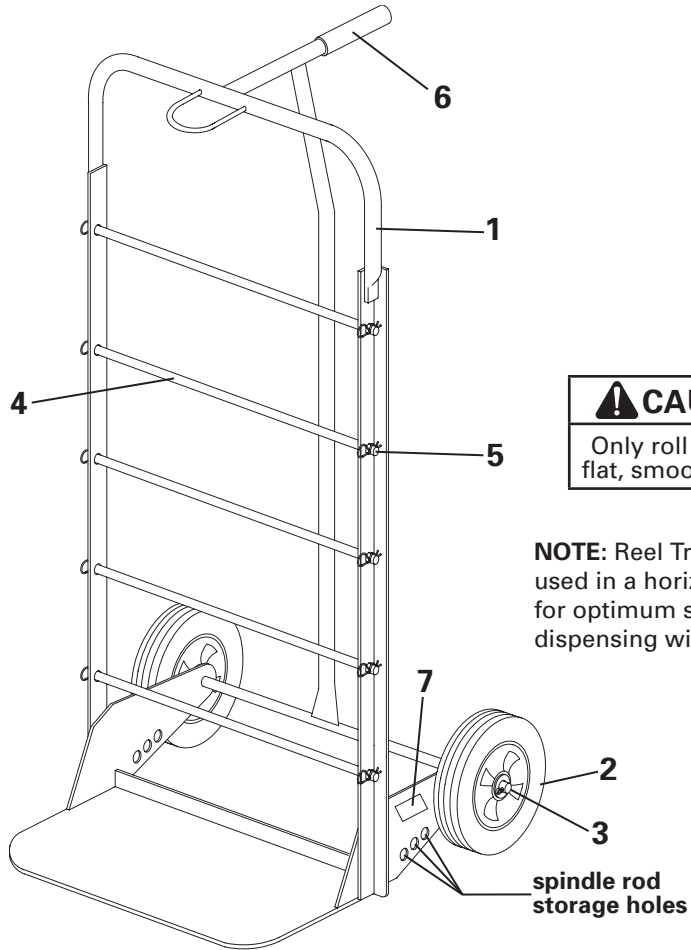
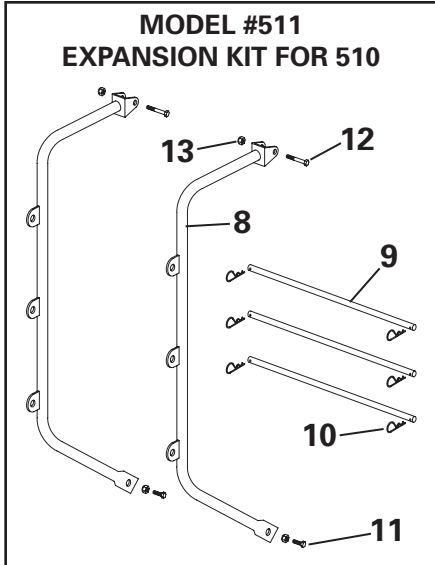




## Model 510 Reel Truck



**CAUTION**  
Only roll on a firm, flat, smooth surface.

**NOTE:** Reel Truck should be used in a horizontal position for optimum stability when dispensing wire.

**SPOOL CAPACITY:**

Spool Diameter	Spool Width	Model 510 Maximum # of Spools	w/511 Expansion Kit Maximum # of Spools
7"	5 <sup>3</sup> / <sub>8</sub> "	15	24
7"	8"	10	16
12"	16 <sup>3</sup> / <sub>8</sub> "	3	5
14"	16 <sup>3</sup> / <sub>8</sub> "	3	3
22"	16 <sup>3</sup> / <sub>8</sub> "	2	2

## INSTRUCTION SHEET AND PARTS LIST

**PARTS LIST — 510 REEL TRUCK**

ITEM#	PART#	QTY	DESCRIPTION
1	510-553	1	FRAME
2	510-2	2	WHEEL
3	510-1	2	RUE RING
4	510-551	5	SPINDLE ROD
5	33-36	10	SPRING CLIP
6	140-7	1	GRIP
7	510-DECAL	1	DECAL

**PARTS LIST — 511 EXPANSION KIT FOR 510**

ITEM#	PART#	QTY	DESCRIPTION
8	511-WELDMENT	2	TUBE WELDMENT
9	510-551	3	SPINDLE ROD
10	33-36	6	SPRING CLIP
11	77-002D1	2	SCREW, HEX HEAD CAP, 5/16-18x3/4"
12	77-025A	2	SCREW, HEX HEAD CAP, 5/16-18x1 3/4"
13	2-1301-4	4	NUT, HEX, 5/16-18, NYLON INSERT

**!** Read and understand this material before operating the Reel Truck. Failure to understand how to safely operate this Reel Truck may result in injury or property damage.

This manual is free of charge. All personnel who operate the Reel Truck should have a copy of this manual and read and understand its contents. To request a copy, call or write to the address below.