



# Current Tools

FOR THE PROFESSIONAL ELECTRICIAN

## Model 512 CP Cart

For use with Southwire® SIMpull® CoilPAK™\*

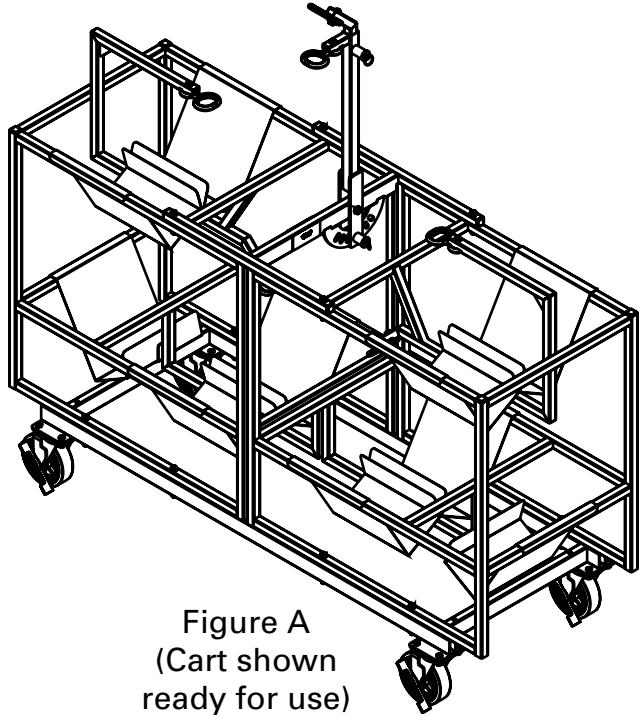


Figure A  
(Cart shown  
ready for use)

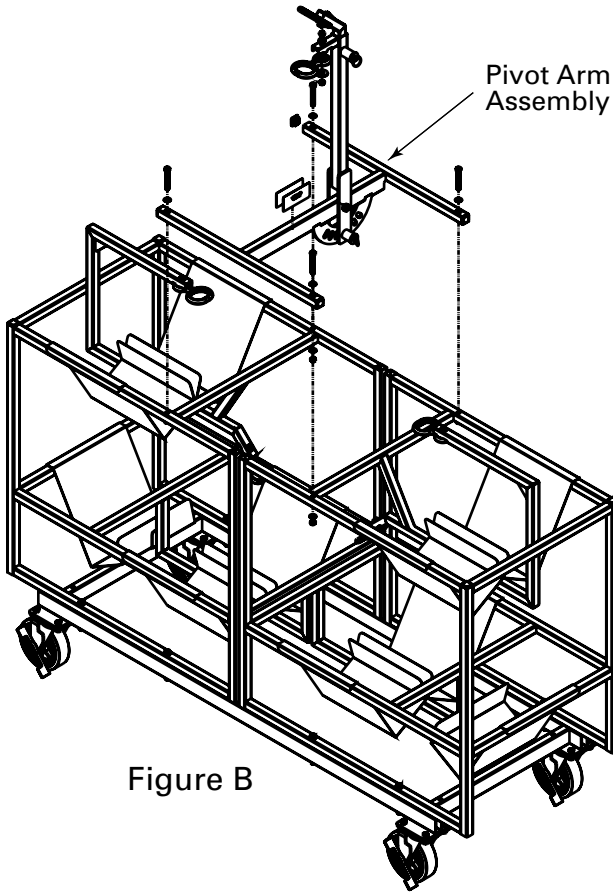


Figure B

The pivot arm assembly is shipped in the upside down position.

STEP 1 — Unbolt the pivot arm assembly and turn right side up as shown in Figure B

STEP 2 — Install the pivot arm assembly using the hardware removed in Step 1 (See Figure B).



**Read and understand this material before operating the CP Cart. Failure to understand how to safely operate this cart may result in injury or property damage.**

This manual is free of charge. All personnel who operate the CP Cart should have a copy of this manual and read and understand its contents. To request a copy, call, write to the address below, or visit our website.

**CURRENT TOOLS • P. O. BOX 17026 GREENVILLE, SC 29606**  
**800.230.5421 or 864.721-4230 • FAX 864.721.4232 • [www.currenttools.com](http://www.currenttools.com)**

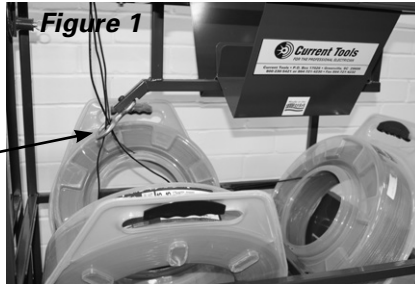
\*Southwire and SIMpull are registered trademarks of Southwire Company, LLC. CoilPAK is a trademark of Southwire Company, LLC.



# Current Tools

FOR THE PROFESSIONAL ELECTRICIAN

## Model 512 CP Cart — continued



Wire guide ring

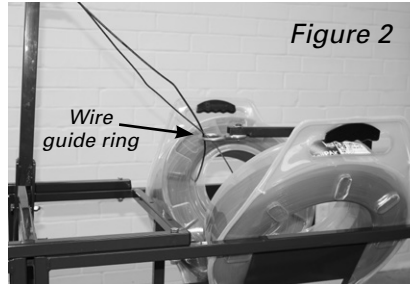
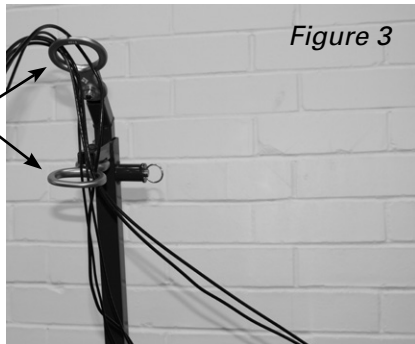


Figure 2



Wire guide rings

Figure 3

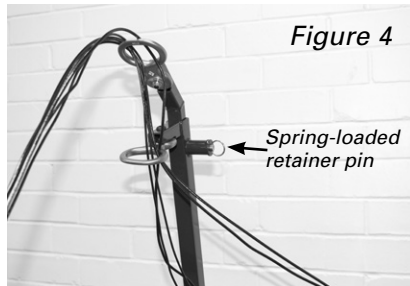


Figure 4

Spring-loaded retainer pin

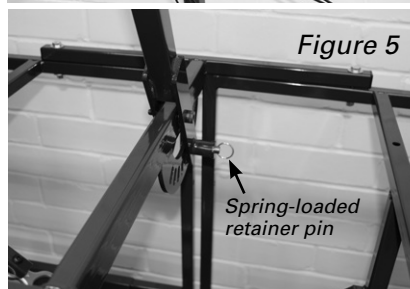


Figure 5

Spring-loaded retainer pin

### CAPACITY

- 10 Coil Pockets
- Maximum 50 lb. coil per pocket
- 500 lbs. total

### CAUTION

Only roll on a firm, flat, smooth surface.

**NOTE:** Load the lower pockets with CoilPAK™ first and move up as needed. Unload CoilPAK™ from the top pockets first and move down as needed.

- Load Coil Pak™\* into lower pockets first and move up as needed.
- The lower sections of the CP Cart have three pockets on each side. Feed the three wires on each side through the wire guide ring as shown in Figure 1.
- The upper sections of the CP Cart have two pockets on each side. Feed the two wires on each side through the wire guide ring as shown in Figure 2.
- Gather all strands and feed through the top two wire guide rings located on the pivot arm. (Figure 3)
- Adjust pivot arm height and angle as necessary by pulling the spring loaded retainer pins and locking back into place. (Figures 4 & 5)

**CURRENT TOOLS • P. O. BOX 17026 GREENVILLE, SC 29606**  
**800.230.5421 or 864.721-4230 • FAX 864.721.4232 • www.currenttools.com**

\*CoilPAK is a registered trademark™ of Southwire Company LLC.