



# **Current Tools**

FOR THE PROFESSIONAL ELECTRICIAN

## **Model 615 Cable Reel Roller**



## **Operating, Maintenance, Safety and Parts Manual**

02/16



**Read and understand this material before operating or servicing the Cable Reel Roller. Failure to understand how to safely operate and service this unit may result in serious injury or death.**

This manual is free of charge. All personnel who operate the Cable Reel Roller should have a copy of this manual and read and understand its contents. To request a copy of this manual or replacement safety decals, or for technical assistance, call or write to the address below.

**CURRENT TOOLS • P. O. BOX 17026 GREENVILLE, SC 29606  
800.230.5421 or 864-721-4230 • FAX 864-721-4232  
[www.currenttools.com](http://www.currenttools.com)**



# TABLE OF CONTENTS

**Safety Alerts** . . . . . 2

**Specifications** . . . . . 3

**Features** . . . . . 3

**Operating Instructions** . . . . . 3

**Maintenance** . . . . . 4

**Wiring Schematic** . . . . . 4

**Roller Position Chart** . . . . . 5

**Exploded View and Parts List** . . . . . 6

**Major Components Parts List** . . . . . 7

## SAFETY INFORMATION



This manual should be read and understood by all personnel who operate or service this Cable Reel Roller. Failure to understand how to operate and service this equipment could result in injury or death. This Cable Reel Roller should only be operated by qualified personnel.

- ALWAYS place the cable reel roller on a firm, level surface. Be sure the surface is capable of supporting the full load of the cable reel roller and the reel of cable.
- ALWAYS remove reel of cable before moving or transporting the cable reel roller.
- ALWAYS lift the cable reel roller using forklift pockets or by lifting eyes provided at each corner of the unit.
- NEVER attempt to lift the cable reel roller by the rollers.
- DO NOT operate or store the cable reel roller in wet or damp locations. DO NOT EXPOSE TO RAIN.
- Only use this unit for its intended purpose as a cable reel roller.
- DO NOT exceed load rating of the cable reel roller.
- ALWAYS inspect the cable reel roller before each use.
- DO NOT operate in explosive atmosphere.
- ALWAYS disconnect the cable reel roller before servicing.
- ALWAYS plug into grounded receptacle that is GFCI protected.
- KEEP all body parts, hair, loose clothing, etc., away from rotating parts and pinch points.
- DO NOT alter this cable reel roller. Doing so will void the warranty. Guards and safety features are provided for your protection.
- DO NOT use extension cord longer than 100 ft. Extension cord should be 12 gauge wire with ground.
- When operating, operator should stand to the side of the cable reel roller and out of the path of the cable.

## SPECIFICATIONS

width — 122"  
length — 60<sup>3</sup>/<sub>4</sub>"  
height — 19"  
weight — 2500 lbs.

maximum reel size — 12' diameter  
96" width, 15 tons  
motor specs — 120 volts, 10 amps

## FEATURES

- Heavy duty welded frame for strength and durability
- Heavy duty self-aligning pillow block bearings
- Pendant control can be easily disconnected for safe storage
- Speed control for variable cable feeding rates
- One roller adjusts to accommodate various reel sizes
- On/off foot control for remote operation
- Rugged and durable drive motor
- Convenient fork pockets on both sides of unit for quick transport with forklift

## OPERATING INSTRUCTIONS

1. Move the cable reel roller into position for operation using the forklift pockets on the sides of the unit, or by the lifting eyes provided at each corner of the unit.
2. Locate the cable reel roller on a surface capable of supporting the combined weight of the unit plus the reel of cable.
3. Adjust the distance between the rollers. (See Roller Position Chart on pg. 5) Remove the four adjusting bolts (2 each side) connecting the idler roller plate to the reel roller base. Slide the idler roller assembly to the desired position and replace the 4 bolts. *See figure 1.*
4. Load the cable reel onto the cable reel roller such that the cable feeds from the top of the reel. *See figure 2.*
5. Use the hand-held control to set forward or reverse as required and to adjust the operating speed of the unit.
6. After making the adjustments with the hand controls, a foot control is provided to switch the unit off and on remotely.
7. Always place the controls so that the operator is clear of the path of the unwinding cable.

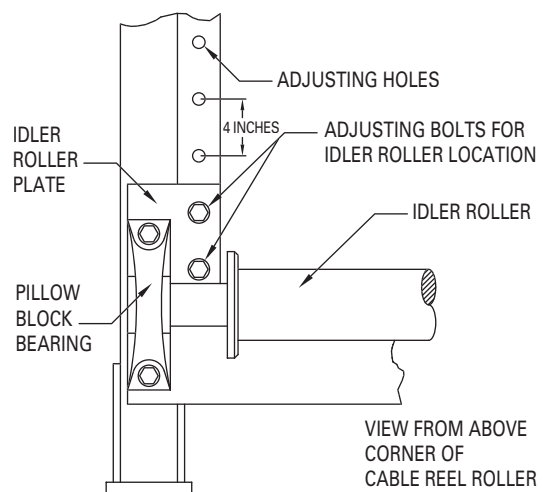


figure 1

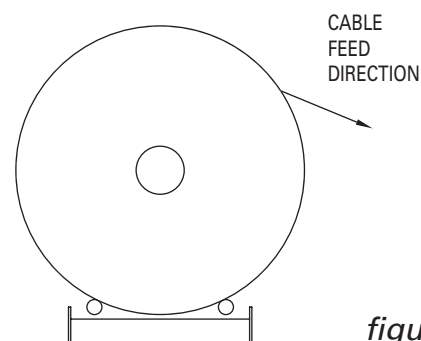


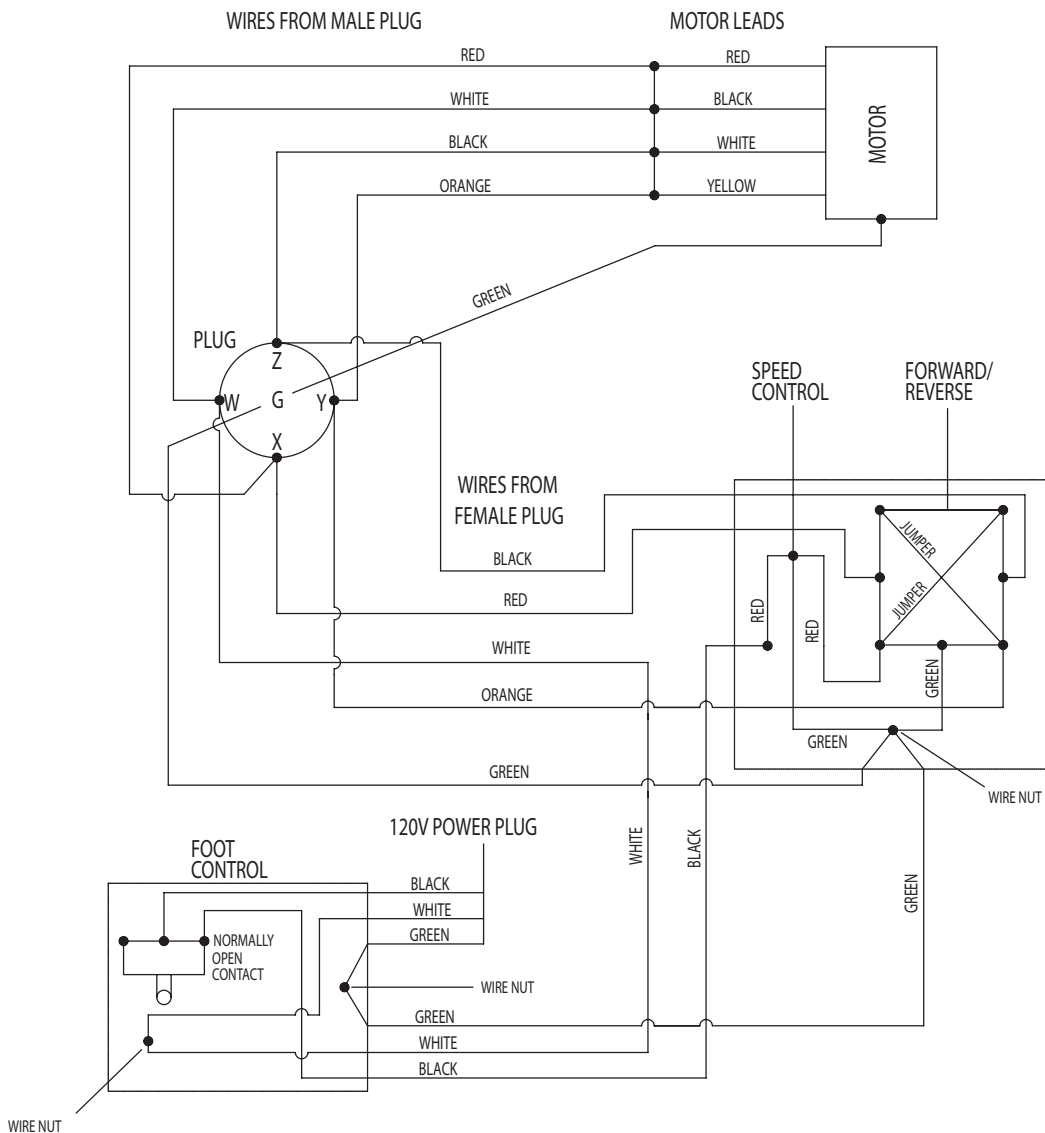
figure 2

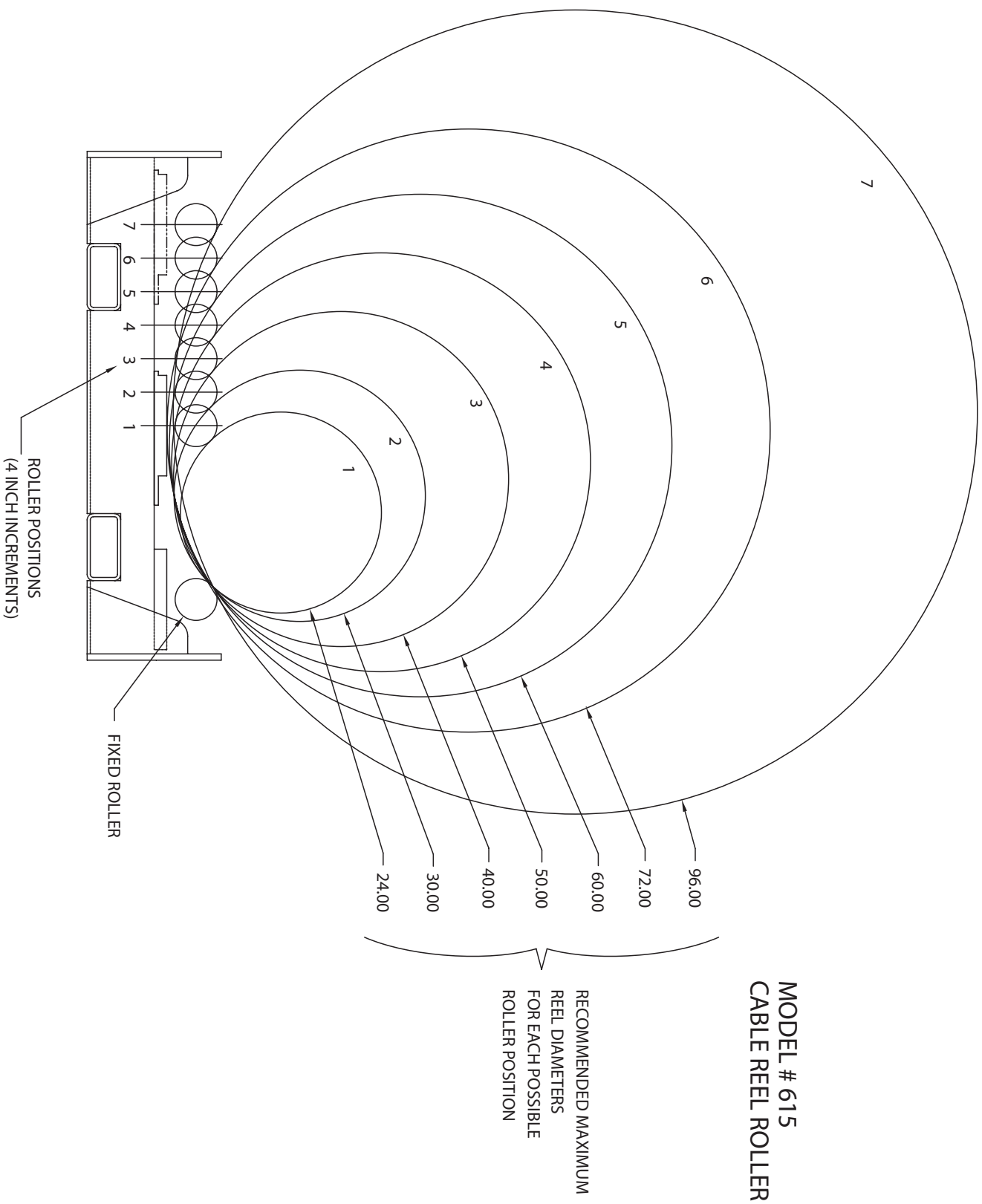


# MAINTENANCE

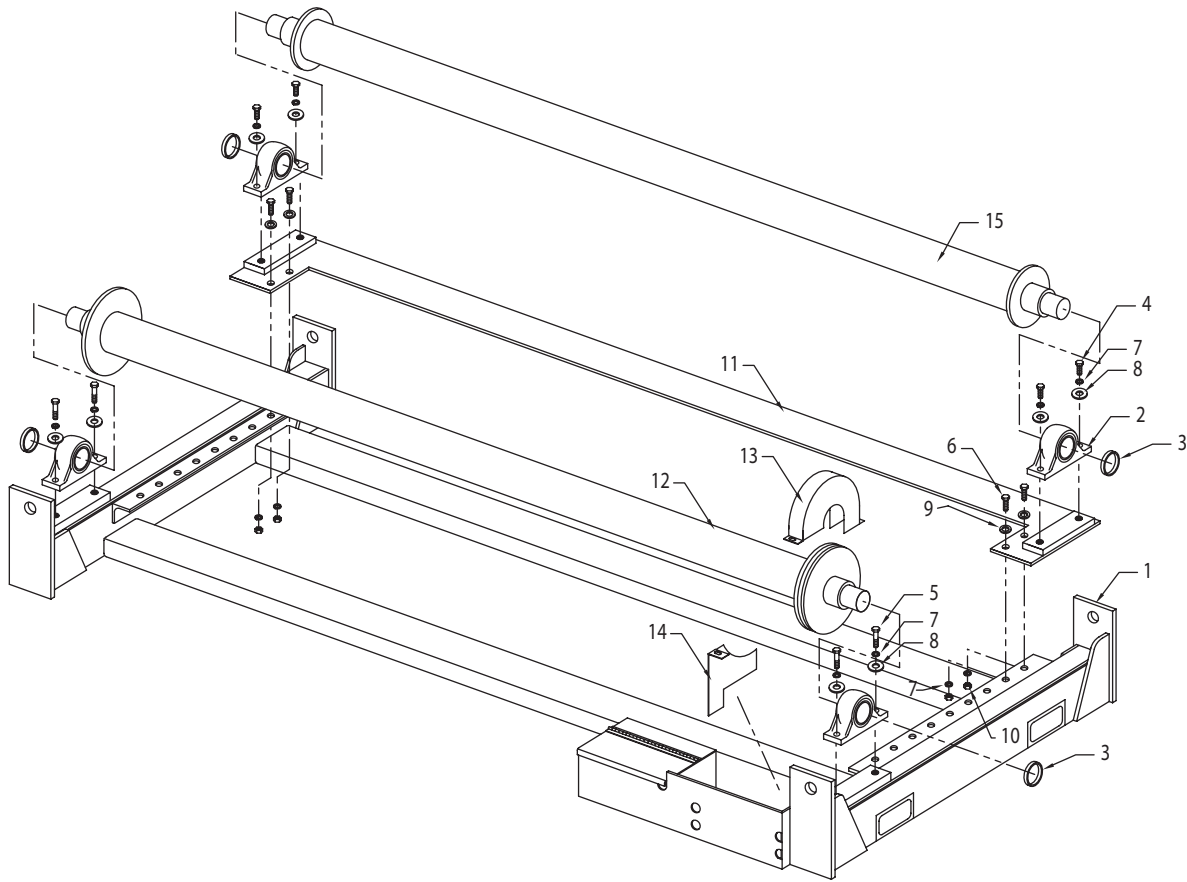
- DO NOT store the cable reel roller in wet or damp locations.
- Grease the pillow block bearings every 20 hours of operation with a good quality multi-purpose (MP) grease.
- Lubricate drive chain every 20 hours of operation with 90W gear oil.
- Before each use, inspect power and control cords for damage.
- Inspect drive chain for wear every 40 hours of operation.

## WIRING SCHEMATIC





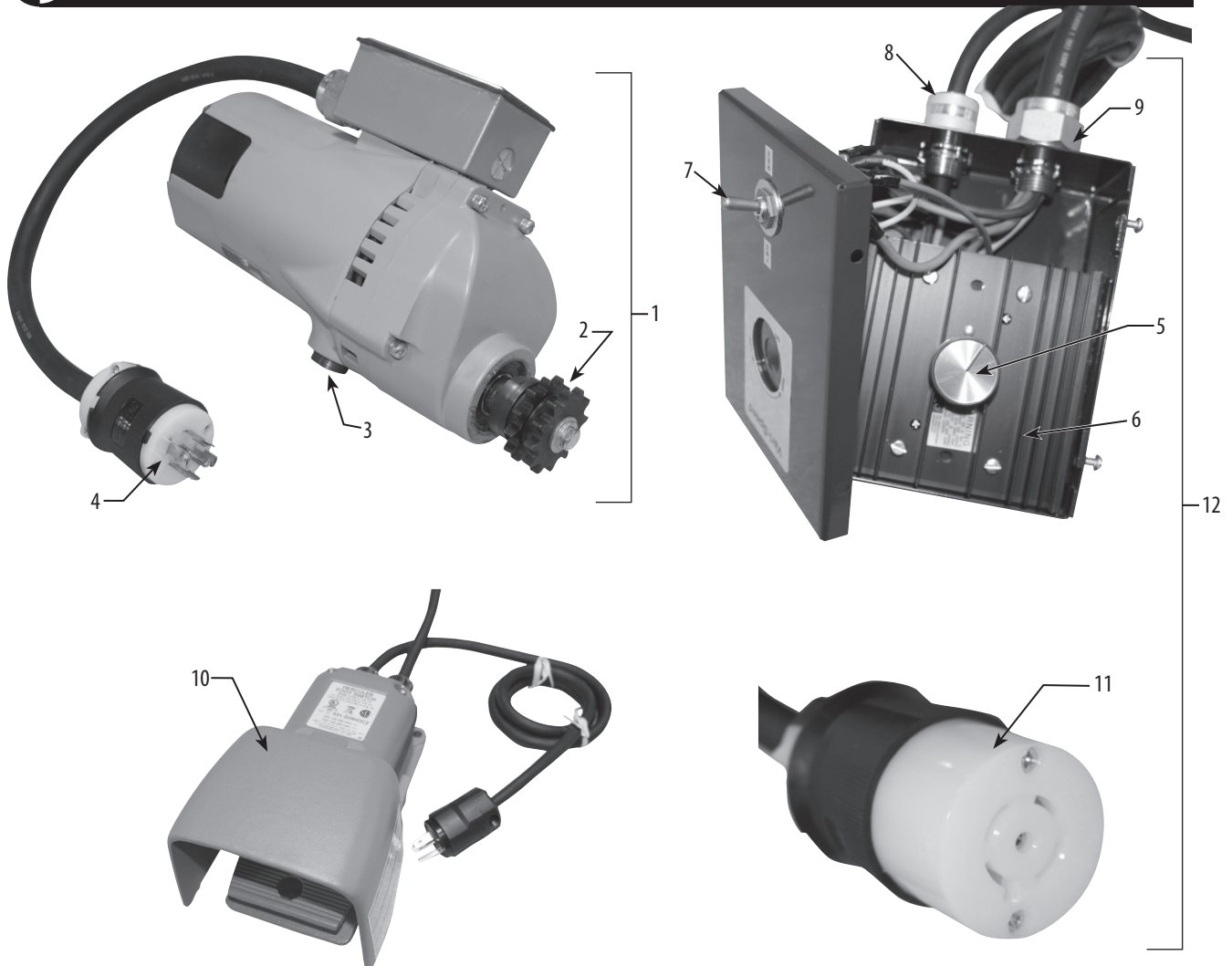
## EXPLODED VIEW – MODEL 615 FRAME AND ROLLERS



## PARTS LIST – MODEL 615 FRAME AND ROLLERS

ITEM#	PART #	QTY	DESCRIPTION
1	615-004	1	WELDMENT – FRAME, 615
2	615-9	4	PILLOW BLOCK BEARING
3	615-17	4	SHAFT COLLAR – 2-15/16
4	615-2H	4	SCREW – HEX HD CAP 3/4-10 × 2"
5	615-2G	4	SCREW – HEX HD CAP 3/4-10 × 2½"
6	615-2F	4	SCREW – HEX HD CAP 3/4-10 × 2¼"
7	615-2I	12	WASHER – LOCK, ¾"
8	615-4B	4	WASHER – FLAT, ¾"
9	77-017	8	WASHER – FLAT, ¾" SAE
10	615-2J	4	NUT – HEX ¾"-10
11	615-209	1	SLIDE PLATE
12	615-488A	1	ROLLER – DRIVE
13	615-489	1	CHAIN GUARD
14	615-672	1	CHAIN SHIELD
15	615-488B	1	ROLLER – IDLER

## MAJOR COMPONENTS – MODEL 615 REEL ROLLER



## PARTS LIST – MODEL 615 REEL ROLLER

ITEM#	PART #	DESCRIPTION
1	615-30B	MOTOR ASSEMBLY
2	615-1B	SPROCKET
3	615-121	MOUNTING STUD
4	615-4	PLUG, MALE TWIST LOCK
5	615-6A – KNOB	SPEED CONTROL KNOB
6	615-6A	SPEED CONTROL
7	615-7	TOGGLE SWITCH
8	615-18	STRAIN RELIEF
9	615-15	STRAIN RELIEF
10	615-30	FOOT CONTROL
11	615-5	PLUG, FEMALE TWIST LOCK
12	615-30A	HAND CONTROL ASSEMBLY