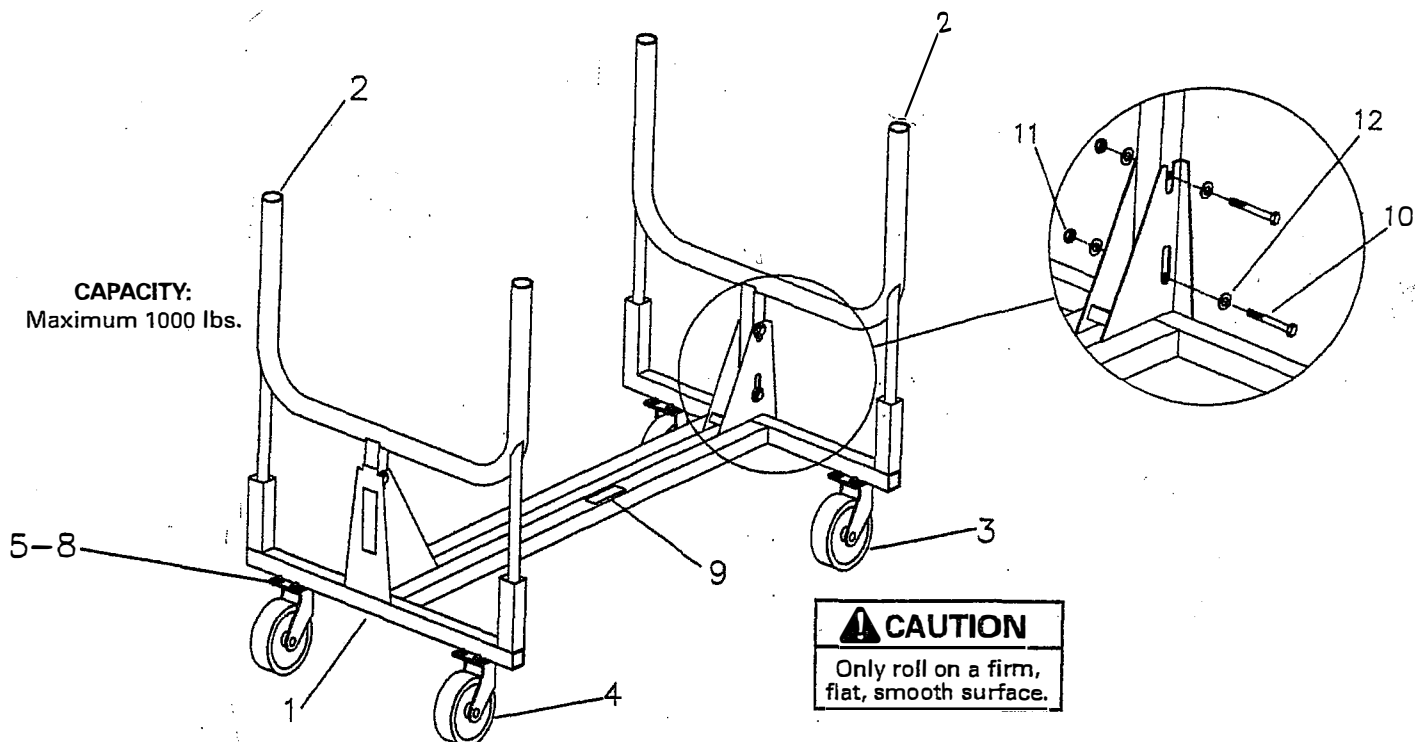




# Current Tools

FOR THE PROFESSIONAL ELECTRICIAN

## Model 507 Conduit Bundler



## INSTRUCTION SHEET AND PARTS LIST

### PARTS LIST — 507 CONDUIT BUNDLER

ITEM#	PART#	QTY	DESCRIPTION
1	505-245	1	BASE
2	505-247	2	ARM
3	506-2	2	CASTER, RIGID
4	506-1	2	CASTER, SWIVEL
5	281-2D	16	SCREW, HEX HEAD CAP 3/8-16 x 1-1/4"
6	506-3	16	WASHER, FLAT

ITEM#	PART#	QTY	DESCRIPTION
7	452-27	16	WASHER, LOCK
8	452-28	16	NUT, HEX, 3/8-16
9	507-MN	1	DECAL
10	281-IE	4	SCREW, HEX HEAD CAP 1/2-13 x 3"
11	281-IJ	4	NUT, HEX, 1/2-13 THIN NYLON INSERT
12	451-25	8	WASHER, FLAT



Read and understand this material before operating the Conduit Bundler. Failure to understand how to safely operate this Conduit Bundler may result in injury or property damage.

This manual is free of charge. All personnel who operate the Conduit Bundler should have a copy of this manual and read and understand its contents. To request a copy, call or write to the address below.

**CURRENT TOOLS • P.O. BOX 17026 • GREENVILLE, SC 29606**

**800.230.5421 or 864-721-4230 • FAX 864-721-4232 • www.currenttools.com**