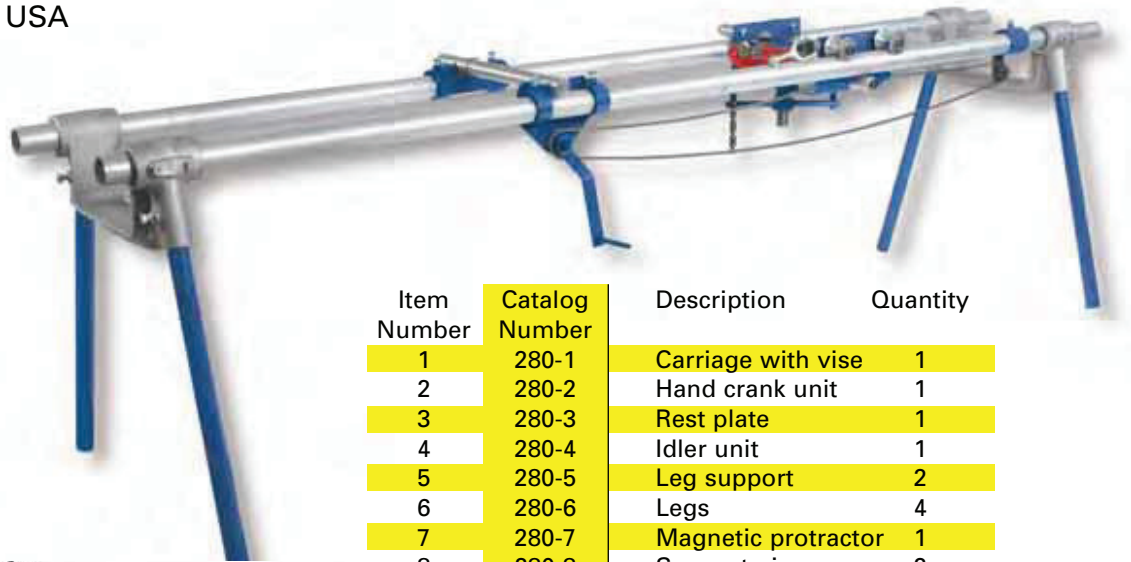




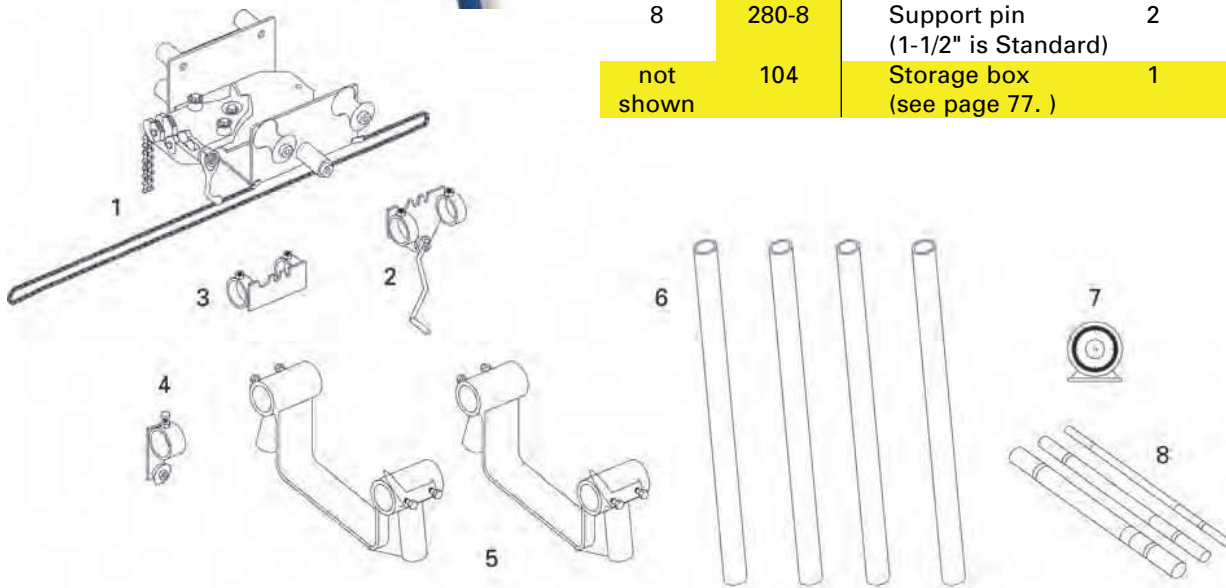
BENDING

280 Bending Table

- Keeps bender off of the floor and at a comfortable working height
- Fast, easy set-up
- Reduces operator fatigue
- For use with Greenlee®
Models 885, 884, 883, 880, 777*
- Made in the USA



Item Number	Catalog Number	Description	Quantity
1	280-1	Carriage with vise	1
2	280-2	Hand crank unit	1
3	280-3	Rest plate	1
4	280-4	Idler unit	1
5	280-5	Leg support	2
6	280-6	Legs	4
7	280-7	Magnetic protractor	1
8	280-8	Support pin (1-1/2" is Standard)	2
not shown	104	Storage box (see page 77.)	1



Catalog Number	Description	Weight
280	280 Bending Table For use with Greenlee® No. 885, 884, 883, 880, 777	183 lbs.

* Greenlee® is a registered trademark of Greenlee/Extron.



Current Tools
FOR THE PROFESSIONAL ELECTRICIAN

www.currenttools.com

P.O. Box 17026 • Greenville, SC 29606 • 864.244.1201 • fax 864.244.5860 • 800.230.5421