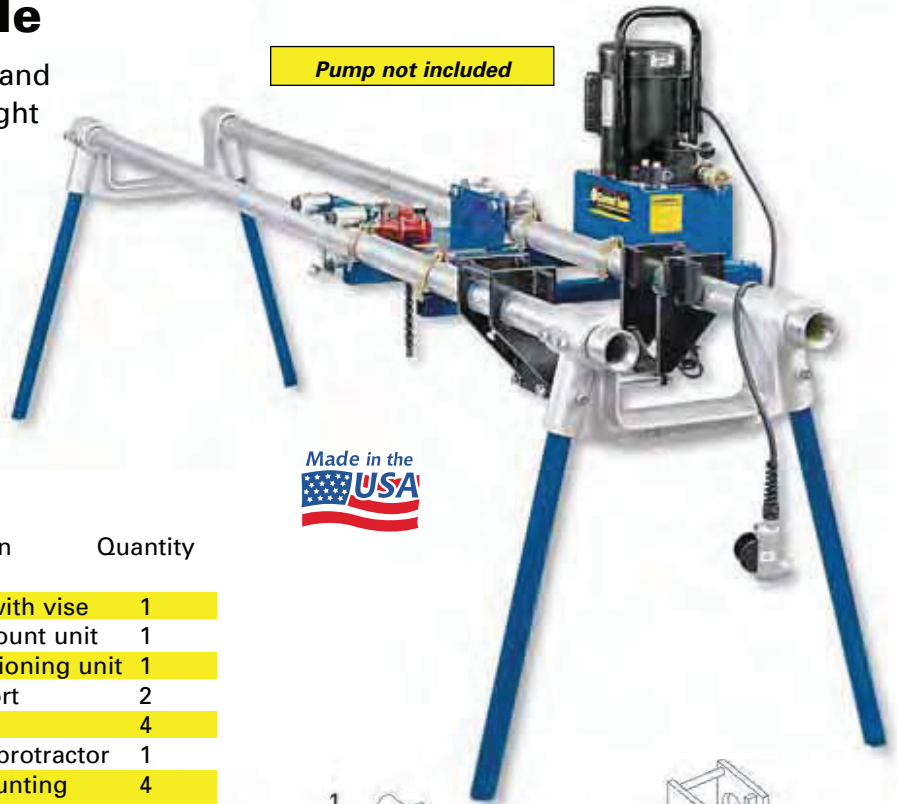


# BENDING

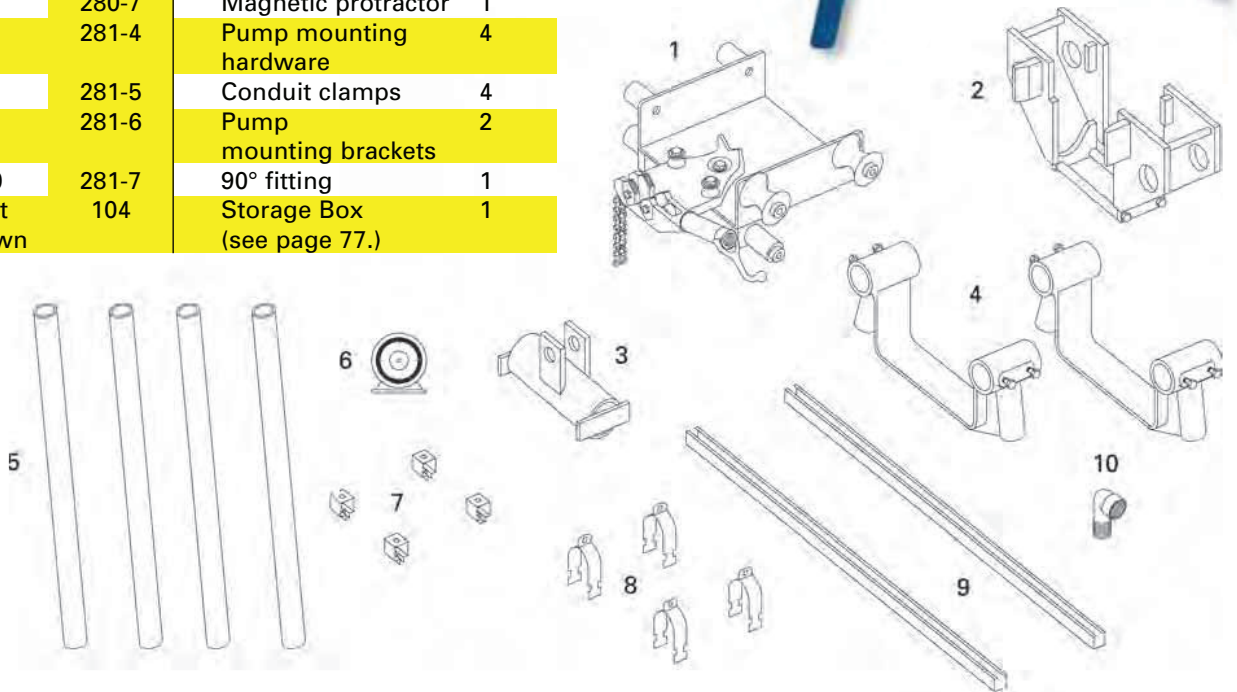


## 281 Bending Table

- Keeps bender off of the floor and at a comfortable working height
- Fast, easy set-up
- Reduces operator fatigue
- For use with Greenlee® Models 881 and 881 CamTrack® Benders\*
- Made in the USA



Item Number	Catalog Number	Description	Quantity
1	281-1	Carriage with vise	1
2	281-2	Bender mount unit	1
3	281-3	Ram positioning unit	1
4	280-5	Leg support	2
5	280-6	Legs	4
6	280-7	Magnetic protractor	1
7	281-4	Pump mounting hardware	4
8	281-5	Conduit clamps	4
9	281-6	Pump mounting brackets	2
10	281-7	90° fitting	1
not shown	104	Storage Box (see page 77.)	1



Catalog Number	Description	Weight
281	281 Bending Table For use with Greenlee® No. 881 and 881 Cam Track® Benders	188 lbs.

\* Greenlee® and Cam Track® are registered trademarks of Greenlee/Textron.