

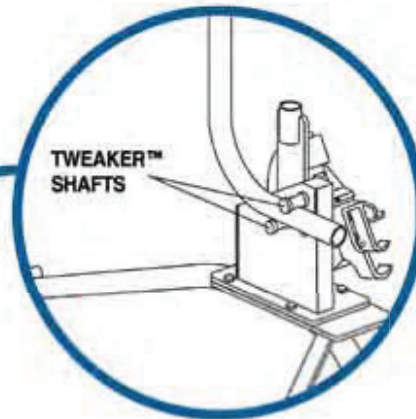


BENDING

Mechanical Bender

- Bends 1/2" to 1" RIGID/IMC conduit
- Heavy Duty, all metal construction for durability
- Ratchet action for ease in bending
- Model 750 has TWEAKER™ feature to correct overbends of 3° or less
- Made in the USA

with **TWEAKER™**



The TWEAKER™ feature allows the operator to correct overbends of 3° or less



Catalog Number	Description	Weight
750	1/2" to 1" Mechanical Bender for RIGID/IMC conduit	91 lbs.



Current Tools
FOR THE PROFESSIONAL ELECTRICIAN

www.currenttools.com

P.O. Box 17026 • Greenville, SC 29606 • 864.244.1201 • fax 864.244.5860 • 800.230.5421