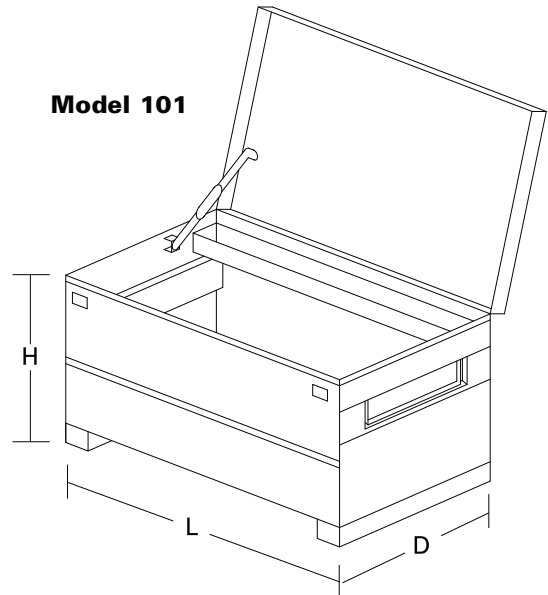


Model 101



**Model 104 and
Model 8-0501**

Caster Set

- Heavy duty design to move storage boxes around the job site
- Each set has 2 swivel and 2 fixed casters
- Mounting bolts are provided with each caster set



Catalog Number	Description	Weight
506	6" wheel set; 2 swivel and 2 fixed	20 lbs.

