

HOLEMAKING



157PM Ratchet Knockout Set

- Features Piece Maker™ punches
- 1" hex ratchet wrench fits both 3/8" and 3/4" draw bolts
- Heavy duty plastic carrying case
- Designed to punch a maximum of 10 gauge (.134") mild steel
- Compare with Greenlee® Slug-Buster® Model 7238SB*
- Made in the USA



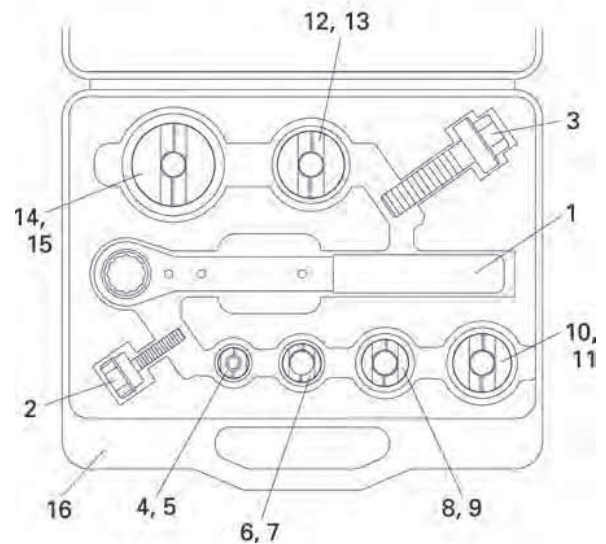
Piece Maker™ Punches are designed to split the slug into two pieces for easy removal from die after punch completion

All items including punches & dies will fit Greenlee® Knockout Sets!



Catalog Number	Description	Weight
157PM	Ratchet Knockout Set 1/2" – 2"	9 lbs.

Item Number	Catalog Number	Qty	Description
1	1556	1	1" Ratchet Wrench
2	1557	1	Draw Bolt – 3/8" x 1 5/8"
3	1558	1	Draw Bolt – 3/4" x 2 15/16"
4	1524	1	1/2" Piece Maker™ Punch
5	1525	1	1/2" Die
6	1526	1	3/4" Piece Maker™ Punch
7	1527	1	3/4" Die
8	1528	1	1" Piece Maker™ Punch
9	1529	1	1" Die
10	1530	1	1 1/4" Piece Maker™ Punch
11	1531	1	1 1/4" Die
12	1532	1	1 1/2" Piece Maker™ Punch
13	1533	1	1 1/2" Die
14	1534	1	2" Piece Maker™ Punch
15	1535	1	2" Die
16	157-PC	1	Plastic Case



* Greenlee® and Slug-Buster® are registered trademarks of Greenlee/Textron.