



Storage Boxes

- Secure storage for job site tools
- Heavy duty hinges for durability
- Side handles for easy lifting
- Oven-cured paint
- Heavy duty - 16 gauge construction
- Model 101 has pre-drilled holes for caster mounting
- Model 101 has large bottom runners for easy lifting
- Made in the USA

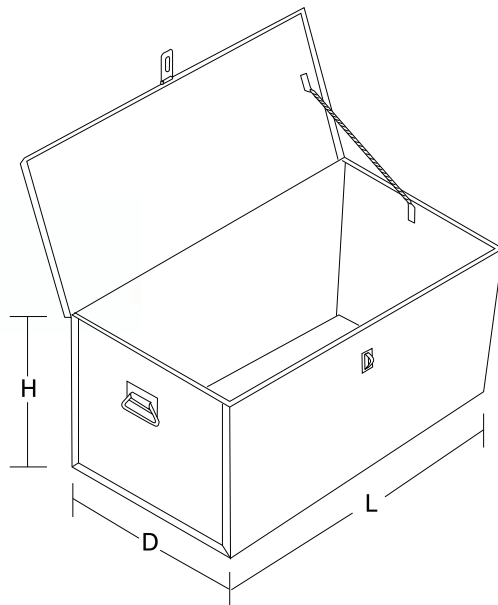


Model 104

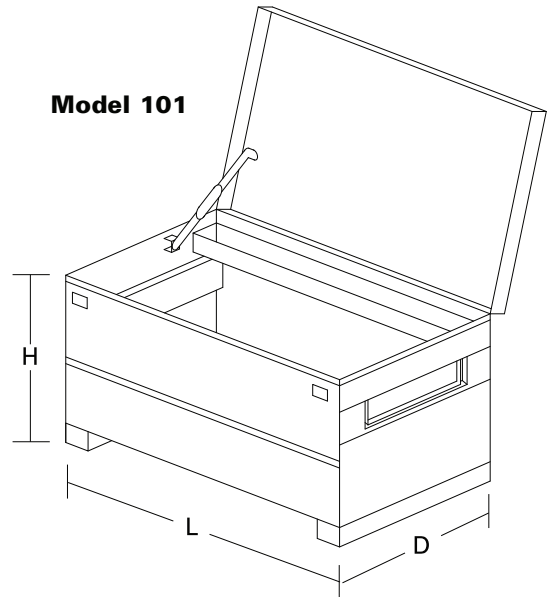


Model 101

Catalog Number	Description	L	H	D	Weight
101	Storage Box —	48" length	30" height	33" depth	177 lbs.
104	Storage Box —	31" length	15" height	18" depth	51 lbs.
8-0501	Storage Box —	23" length	17" height	20" depth	36 lbs.



Model 101



**Model 104 and
Model 8-0501**

Caster Set

- Heavy duty design to move storage boxes around the job site
- Each set has 2 swivel and 2 fixed casters
- Mounting bolts are provided with each caster set



Catalog Number	Description	Weight
506	6" wheel set; 2 swivel and 2 fixed	20 lbs.

