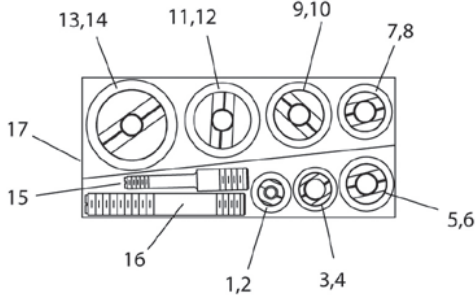




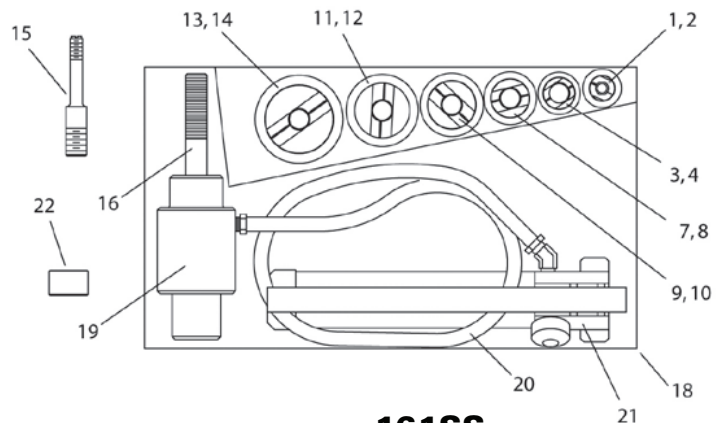
## Heavy Duty Piece Maker™ SS Knockout Sets



Item Number	Catalog Number	Description	#160SS	#161SS	
1	1536	1/2" SS Punch	1	1	UPC 811993021435
2	1537	1/2" SS Die	1	1	UPC 811993021442
3	1538	3/4" SS Punch	1	1	UPC 811993021459
4	1539	3/4" SS Die	1	1	UPC 811993021466
5	1540	1 7/32" SS Punch	1		UPC 811993021473
6	1541	1 7/32" SS Die	1		UPC 811993021480
7	1542	1" SS Punch	1	1	UPC 811993021497
8	1543	1" SS Die	1	1	UPC 811993021503
9	1544	1 1/4" SS Punch	1	1	UPC 811993021510
10	1545	1 1/4" SS Die	1	1	UPC 811993021527
11	1546	1 1/2" SS Punch	1	1	UPC 811993021534
12	1547	1 1/2" SS Die	1	1	UPC 811993021541
13	1548	2" SS Punch	1	1	UPC 811993021558
14	1549	2" SS Die	1	1	UPC 811993021565
15	1574	3/4"- 7/16"x 4 1/4" SS Draw Stud	1	1	UPC 811993021688
16	1575	3/4"x 5 1/2" SS Draw Stud	1	1	UPC 811993021695
17	1600	Metal Case - 160SS	1		UPC 811993021749
18	1500	Metal Case - 161SS		1	UPC 811993021350
19	1522	Ram		1	UPC 811993021411
20	1523	1/4" x 3' Hydraulic Hose		1	UPC 811993021428
21	1521	Hydraulic Hand Pump		1	UPC 811993021404
22	1553	Spacer - S		1	UPC 811993020001



**160SS**



**161SS**

