



# BENDING

## 77 Series Electric Bender with Multi-Shoe Groups

- Rugged and dependable electrical system
- Easy to maintain and service
- Removable handle to allow for dogleg bends
- Two year warranty
- No PC boards
- Simple, reliable electrical components
- All major electrical components interchangeable with Model #747 Omni™ Bender
- Flat free wheels
- Made in the USA



Shoes and roller support assemblies will fit Greenlee's® 555® Classic\*



Scan here for manual



Catalog Number	Description	Weight	
77	Electric Bender Power Source only (no shoes)	270 lbs.	UPC 811993020261
77RIG	Electric Bender with No. 700R Rigid shoes & accessories	365 lbs.	UPC 811993020278
77EMT	Electric Bender with No. 700E EMT shoes & accessories	430 lbs.	UPC 811993020285
77IMC	Electric Bender with No. 700I IMC shoes & accessories	410 lbs.	UPC 811993020292
77PVC	Electric Bender with No. 700P 40 mil PVC coated conduit bending shoes & accessories	365 lbs.	UPC 811993020308

\* Greenlee® and 555® are registered trademarks of Greenlee/Textron.



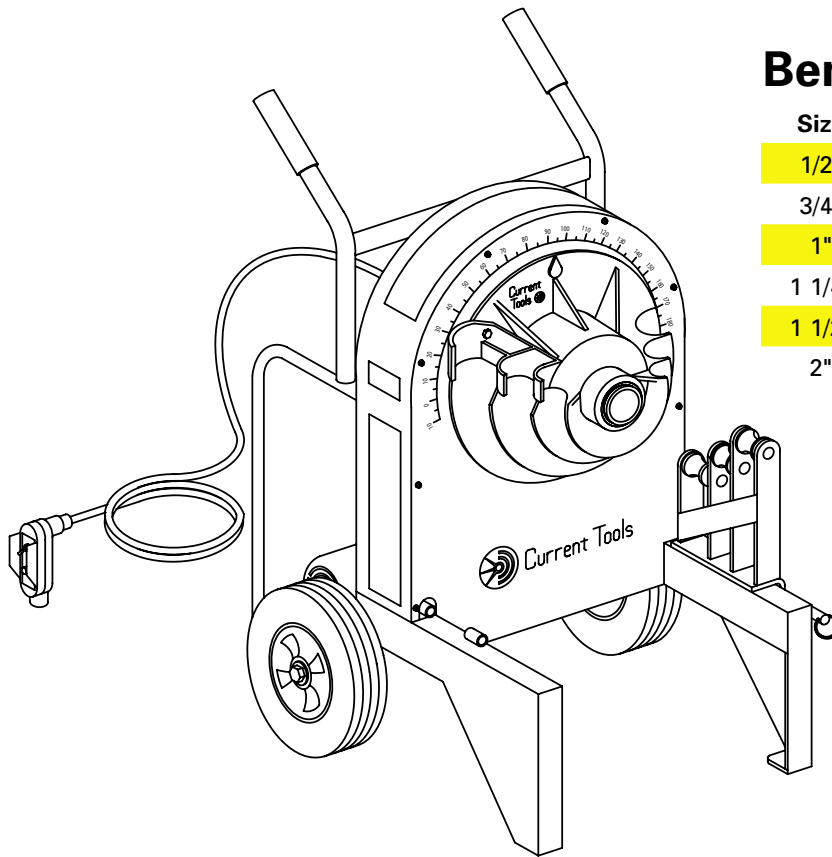
**Current Tools**  
FOR THE PROFESSIONAL ELECTRICIAN

[www.currenttools.com](http://www.currenttools.com)

P.O. Box 17026 • Greenville, SC 29606 • 864.721.4230 • fax 864.721.4232 • 800.230.5421



# 77 Series Electric Bender with Multi-Shoe Groups



## Bend Radius Chart

Size	EMT	IMC	Rigid
1/2"	4-1/4	4-3/8	4-3/8
3/4"	5-3/8	4-1/2	4-1/2
1"	6-3/4	5-3/4	5-3/4
1 1/4"	8-3/4	7-1/4	7-1/4
1 1/2"	8-9/32	8-9/32	8-1/4
2"	9-3/16	9-3/16	9-1/2



### SPECIFICATIONS

<u>Power Source</u>	<u>Capacity</u>	<u>Dimensions</u>
120 vac; 20 amp GFCI protected receptacle required	77RIG 1/2" to 2" Rigid conduit and 1/2" to 1 1/4" IMC conduit 77EMT 1/2" to 2" EMT conduit 77IMC 1 1/2" to 2" IMC conduit 77PVC 1/2" to 2" 40 mil PVC coated conduit	Height: 42" Width: 29.5" Depth: 24.5"

*See pages 13-14 for shoe groups.*

