



HOLEMAKING

Knockout Punch and Die Set 156 – 2 1/2" to 4"

- 4 point punch design for easy slug removal
- Fast set-up
- High strength steel punches and dies for long life
- Designed to punch a maximum of 10 gauge (.134") mild steel
- Metal case
- Made in the USA



Scan here for manual



Catalog Number	Description	Weight	
156	2 1/2" – 4" Knockout Punch and Die Set with Adapter Sleeve	25 lbs.	UPC 811993021329

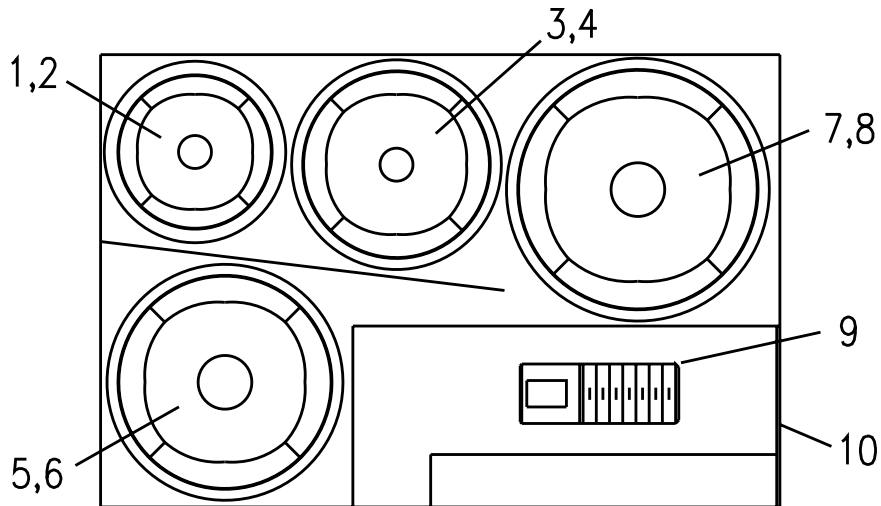


Current Tools
FOR THE PROFESSIONAL ELECTRICIAN

www.currenttools.com

P.O. Box 17026 • Greenville, SC 29606 • 864.721.4230 • fax 864.721.4232 • 800.230.5421

Knockout Punch and Die Set 156 – 2 1/2" to 4"



Item Number	Catalog Number	Qty	Description	
1	1566	1	2 1/2" Punch	UPC 811993021121
2	1567	1	2 1/2" Die	UPC 811993021138
3	1568	1	3" Punch	UPC 811993021145
4	1569	1	3" Die	UPC 811993021152
5	1570	1	3 1/2" Punch	UPC 811993021169
6	1571	1	3 1/2" Die	UPC 811993021176
7	1572	1	4" Punch	UPC 811993021183
8	1573	1	4" Die	UPC 811993021190
9	1552	1	1-1/8" Adapter	UPC 811993021589
10	1504	1	Metal Storage Box	UPC 811993021206

Punches, dies and adapter sleeve complement your existing 2" hydraulic knockout set and give you the capacity to punch up to 4" conduit size holes