



HOLEMAKING

Drill Driven Punch Driver Knockout Sets

- Punch up to a 4" conduit size hole in a maximum of 10 gauge mild steel
- No hydraulic oil
- 1/2" to 2" punches designed to split the slug into two pieces for easy removal
- High strength steel punches and dies for long life
- Recommended drill – (provided by end user) – 1/2" cordless drill with a minimum of 18 volts
- Fast, easy punching – no ratcheting
- Made in the USA



Piecemaker™ Punches are designed to split the slug into two pieces for easy removal from die after punch completion



MODEL 162PM

Scan here for manual



Catalog Number	Description	Weight	
165	Drill Driven Punch Driver	6 lbs.	UPC 811993026539
162PM	1/2" – 2" Drill Driven Punch Driver Set	19 lbs.	UPC 811993021053
164PM	1/2" – 4" Drill Driven Punch Driver Set	53 lbs.	UPC 811993021060



Current Tools
FOR THE PROFESSIONAL ELECTRICIAN

www.currenttools.com

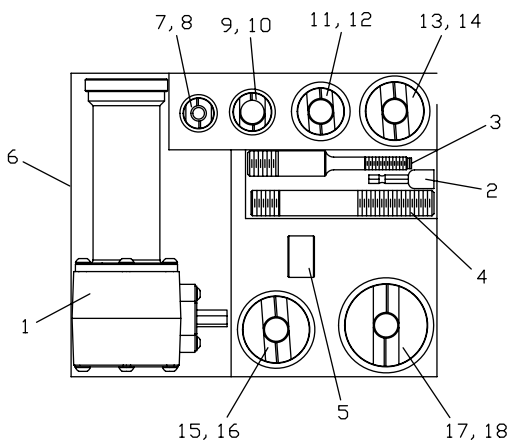
P.O. Box 17026 • Greenville, SC 29606 • 864.721.4230 • fax 864.721.4232 • 800.230.5421



Drill Driven Punch Driver Knockout Sets

Item Number	Catalog Number	Description	165	162PM 1/2" to 2"	164PM 1/2" to 4"	
1	165	Punch Driver	1	1	1	UPC 811993026539
2	163-14	Nut Driver (3/8")		1	1	UPC 811993021084
3	1581	3/8" Draw Stud		1	1	UPC 811993021091
4	1582	3/4" Draw Stud		1	1	UPC 811993021107
5	1553	Short Spacer		1	1	UPC 811993020001
6	165-5	Carrying Case		1		UPC 811993026676
7	1524	1/2" Piece Maker™ Punch		1	1	UPC 811993020032
8	1525	1/2" Die		1	1	UPC 811993020049
9	1526	3/4" Piece Maker™ Punch		1	1	UPC 811993020056
10	1527	3/4" Die		1	1	UPC 811993020063
11	1528	1" Piece Maker™ Punch		1	1	UPC 811993020070
12	1529	1" Die		1	1	UPC 811993020087
13	1530	1 1/4" Piece Maker™ Punch		1	1	UPC 811993020094
14	1531	1 1/4" Die		1	1	UPC 811993020100
15	1532	1 1/2" Piece Maker™ Punch		1	1	UPC 811993020117
16	1533	1 1/2" Die		1	1	UPC 811993020124
17	1534	2" Piece Maker™ Punch		1	1	UPC 811993020131
18	1535	2" Die		1	1	UPC 811993020148
19	1580	3/4" X 1 1/8" Draw Stud			1	UPC 811993021114
20	1566	2 1/2" Punch			1	UPC 811993021121
21	1567	2 1/2" Die			1	UPC 811993021138
22	1568	3" Punch			1	UPC 811993021145
23	1569	3" Die			1	UPC 811993021152
24	1570	3 1/2" Punch			1	UPC 811993021169
25	1571	3 1/2" Die			1	UPC 811993021176
26	1572	4" Punch			1	UPC 811993021183
27	1573	4" Die			1	UPC 811993021190
28	1501	Metal Storage Box			1	UPC 811993021374
29	163-766	3 1/2" & 4" Die Adapter			1	UPC 811993021213

162PM



164PM

