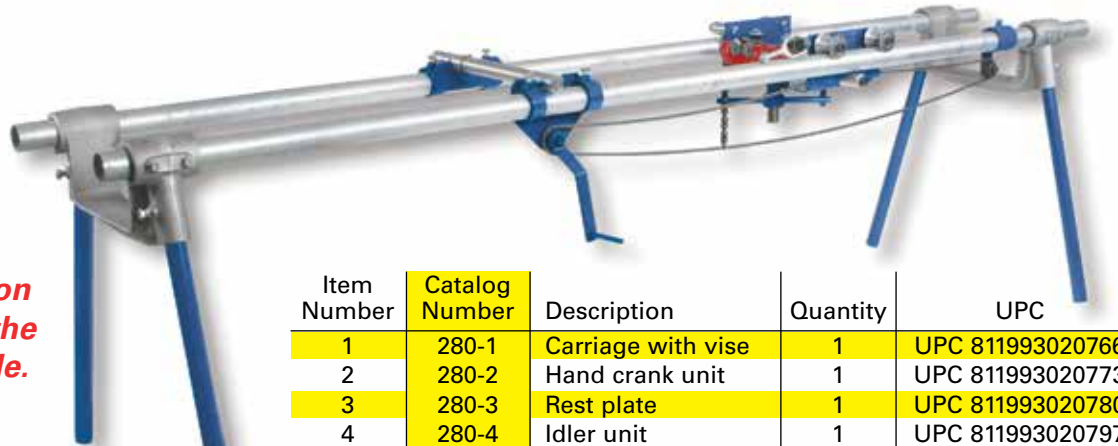




BENDING

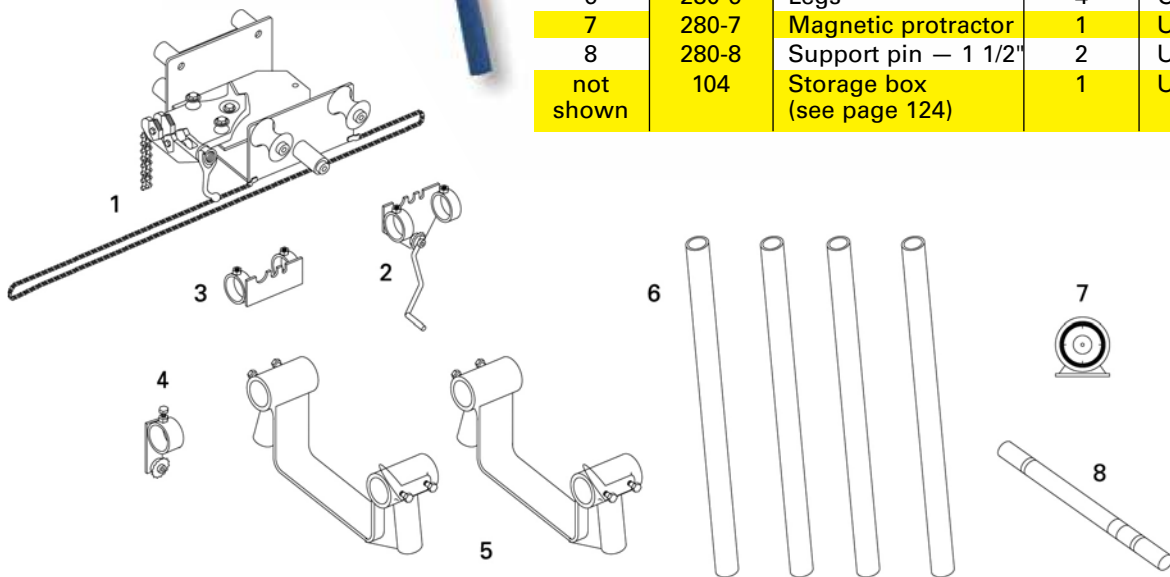
280 Bending Table

- For use with CurrentTools Model #270 Hydraulic Bender
- Keeps bender off of the floor and at a comfortable working height
- Fast, easy set-up
- Reduces operator fatigue
- Made in the USA



Mobile Conversion Kit available for the 280 Bending Table. See page 31.

Item Number	Catalog Number	Description	Quantity	UPC
1	280-1	Carriage with vise	1	UPC 811993020766
2	280-2	Hand crank unit	1	UPC 811993020773
3	280-3	Rest plate	1	UPC 811993020780
4	280-4	Idler unit	1	UPC 811993020797
5	280-5	Leg support	2	UPC 811993020803
6	280-6	Legs	4	UPC 811993020810
7	280-7	Magnetic protractor	1	UPC 811993020827
8	280-8	Support pin – 1 1/2"	2	UPC 811993020834
not shown	104	Storage box (see page 124)	1	UPC 811993020759



Scan here for manual



Catalog Number	Description	Weight	UPC
280	280 Bending Table (For use with CurrentTools Model #270 Hydraulic Bender) Will fit Greenlee® Model #884 and #885 Benders*	183 lbs.	UPC 811993020735

*Greenlee® is a registered trademark of Greenlee Tools, Inc.



Current Tools
FOR THE PROFESSIONAL ELECTRICIAN

www.currenttools.com

P.O. Box 17026 • Greenville, SC 29606 • 864.721.4230 • fax 864.721.4232 • 800.230.5421