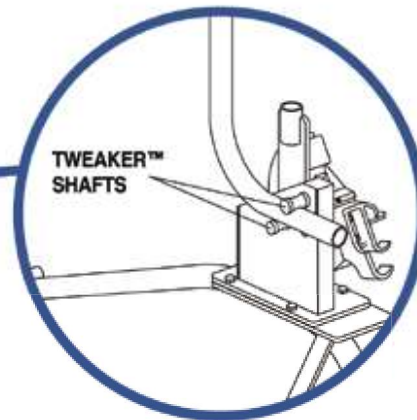




## Mechanical Bender

- Bends 1/2" to 1" RIGID/IMC conduit
- Heavy Duty, all metal construction for durability
- Ratchet action for ease in bending
- Model 750 has TWEAKER™ feature to correct overbends of 3° or less
- Compare to Greenlee® 1800
- Made in the USA

with **TWEAKER™**



*\*The TWEAKER™ feature allows the operator to correct overbends of 3° or less*



Scan here for manual



Catalog Number	Description	Weight	
750	1/2" to 1" Mechanical Bender for RIGID/IMC conduit	91 lbs.	UPC 811993020544

\* Greenlee® is a registered trademark of Greenlee/Textron.