



BENDING

77 Series Electric Bender with Single Shoe Groups

- Only one shoe and roller support needed to bend 1/2"–2" for each type of conduit
- Rugged and dependable electrical system
- Easy to maintain and service
- Removable handle to allow for dogleg bends
- Two year warranty
- No PC boards
- Simple, reliable electrical components
- All major electrical components interchangeable with Model #747 Omni™ Bender
- Flat free wheels
- Compare to Greenlee® 555C® Bender*
- Made in the USA



Shoes and roller support assemblies will fit Greenlee's® 555® Classic*



* Greenlee® and 555® are registered trademarks of Greenlee/Textron.

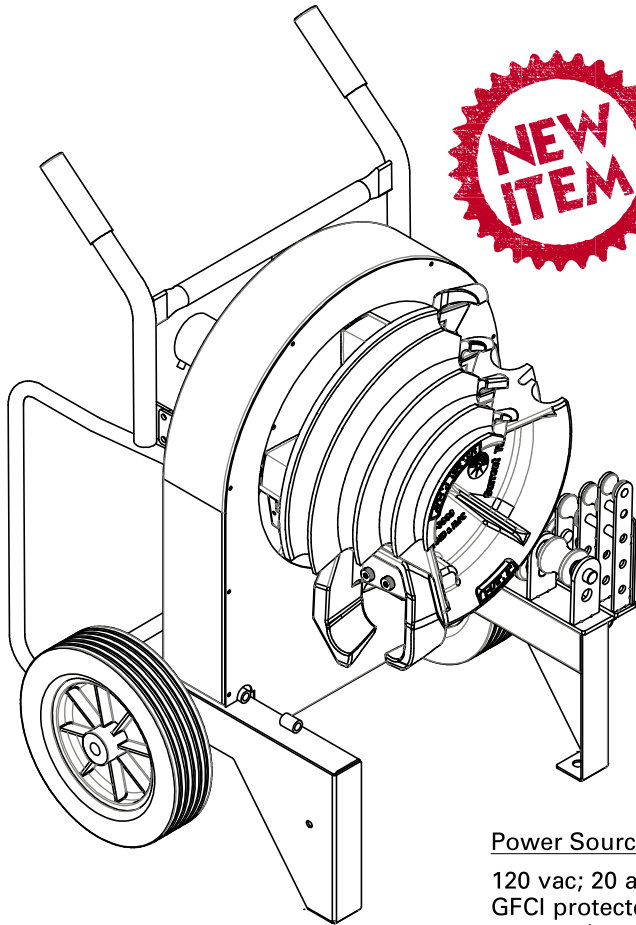


Current Tools
FOR THE PROFESSIONAL ELECTRICIAN

www.currenttools.com

P.O. Box 17026 • Greenville, SC 29606 • 864.721.4230 • fax 864.721.4232 • 800.230.5421

77 Series Electric Bender with Single Shoe Groups



**NEW
ITEM**

Only one shoe and roller support needed to bend 1/2"-2" for each type of conduit.

Bend Radius Chart

Size	EMT	IMC	Rigid
1/2"	4 5/16"	4 1/4"	4 1/4"
3/4"	5-1/2"	5 7/16"	5 7/16"
1"	7"	6 15/16"	6 15/16"
1 1/4"	8 13/16"	8 3/4"	8 3/4"
1 1/2"	8 3/8"	8 1/4"	8 1/4"
2"	9 1/4"	9"	9"

SPECIFICATIONS

Power Source	Capacity	Dimensions
120 vac; 20 amp GFCI protected receptacle required	77SR 1/2" to 2" Rigid conduit 77SI 1/2" to 2" IMC conduit 77SE 1/2" to 2" EMT conduit 77SP 1/2" to 2" PVC coated Rigid	Height: 42" Width: 29.5" Depth: 24.5"

Catalog Number	Description	Weight	
77	77 Series Electric Bender Power Source only (no shoes)	270 lbs.	UPC 811993020261
77SR	77 Series Bender with 700SR Rigid Shoe Group	313 lbs.	UPC 811993025495
77SI	77 Series Bender with 700SI IMC Shoe Group	347 lbs.	UPC 811993025501
77SE	77 Series Bender with 700SE EMT Shoe Group	339 lbs.	UPC 811993025518
77SP	77 Series Bender with 700SP PVC Coated Rigid Shoe Group	309 lbs.	UPC 811993025525

See pages 9-10 for single shoe groups.



BENDING

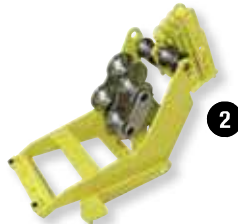
77 Series Electric Bender Single Shoe Groups

All shoes and roller supports will fit Greenlee® 555® Classic Bender*



700SR 1/2"-2" Rigid Single Shoe Group — UPC 811993025419

Item Number	Catalog Number	Description	Weight	
1	2-3000	Single shoe for Rigid and IMC	51 lbs.	UPC 811993025389
2	2-4000	Single shoe roller support for Rigid	13 lbs.	UPC 811993025457
3	8-0501	Metal storage box	36 lbs.	UPC 811993020438



700SI 1/2" – 2" IMC Single Shoe Group — UPC 811993025426

Item Number	Catalog Number	Description	Weight	
1	2-3000	Single shoe for Rigid and IMC	51 lbs.	UPC 811993025389
2	2-4100	Single shoe roller support for IMC	48 lbs.	UPC 811993025464
3	8-0501	Metal storage box	36 lbs.	UPC 811993020438

* Greenlee® and 555® are registered trademarks of Greenlee/Textron.



Current Tools
FOR THE PROFESSIONAL ELECTRICIAN

www.currenttools.com

P.O. Box 17026 • Greenville, SC 29606 • 864.721.4230 • fax 864.721.4232 • 800.230.5421



77 Series Electric Bender Single Shoe Groups

All shoes and roller supports will fit Greenlee® 555® Classic Bender*



700SE 1/2" – 2" EMT Single Shoe Group — UPC 811993025433

Item Number	Catalog Number	Description	Weight	
1	2-3100	Single shoe for EMT	43 lbs.	UPC 811993025396
2	2-4200	Single shoe roller support for EMT	48 lbs.	UPC 811993025471
3	8-0501	Metal storage box	36 lbs.	UPC 811993020438



700SP 1/2" – 2" 40 Mil PVC Coated Rigid Single Shoe Group — UPC 811993025440

Item Number	Catalog Number	Description	Weight	
1	2-3200	Single shoe for 40 Mil PVC Coated Conduit	47 lbs.	UPC 811993025402
2	2-4300	Single shoe roller support for 40 Mil PVC Coated Conduit	13 lbs.	UPC 811993025488
3	8-0501	Metal storage box	36 lbs.	UPC 811993020438

* Greenlee® and 555® are registered trademarks of Greenlee/Textron.

