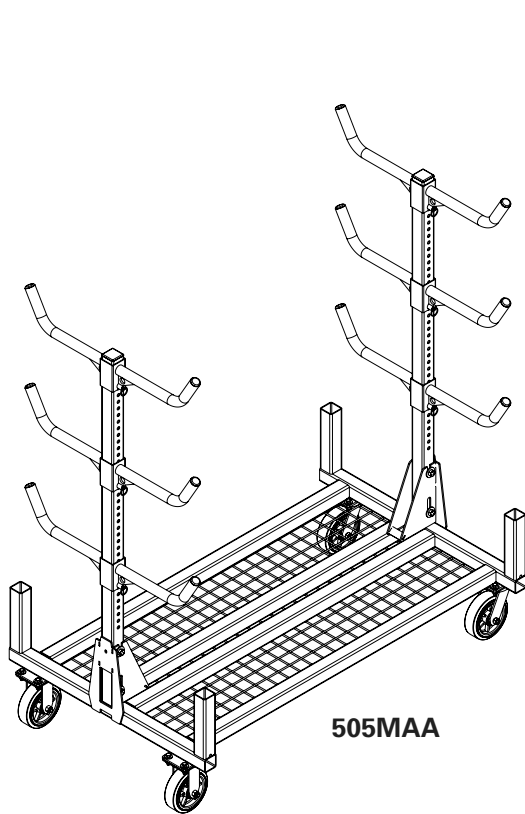




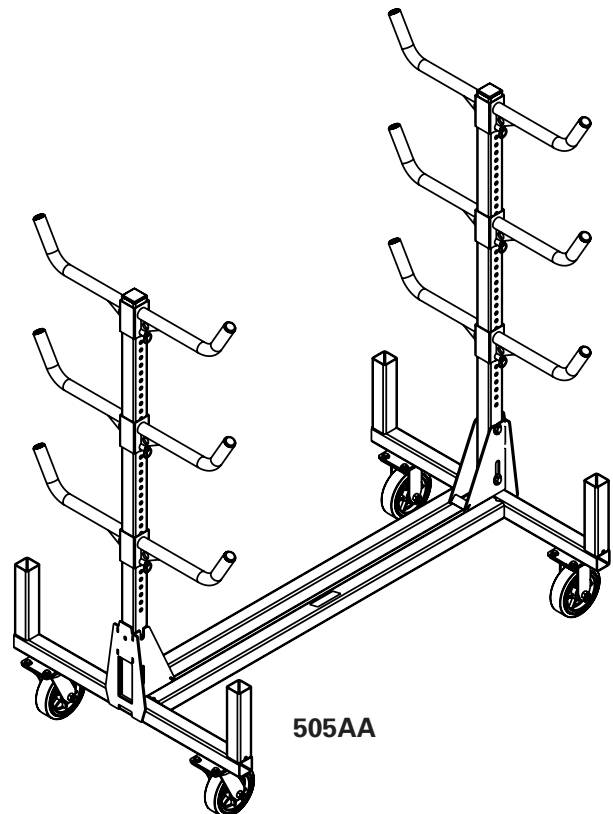
Current Tools

FOR THE PROFESSIONAL ELECTRICIAN

Model 505AA Conduit Rack with Adjustable Arms AND Model 505MAA Conduit Rack with Adjustable Arms and Mesh Base



505MAA



505AA

INSTRUCTION SHEET AND PARTS LIST

5/2018



Read and understand this material before operating the Adjustable Arm Conduit Rack. Failure to understand how to safely operate this Conduit Rack may result in injury or property damage.

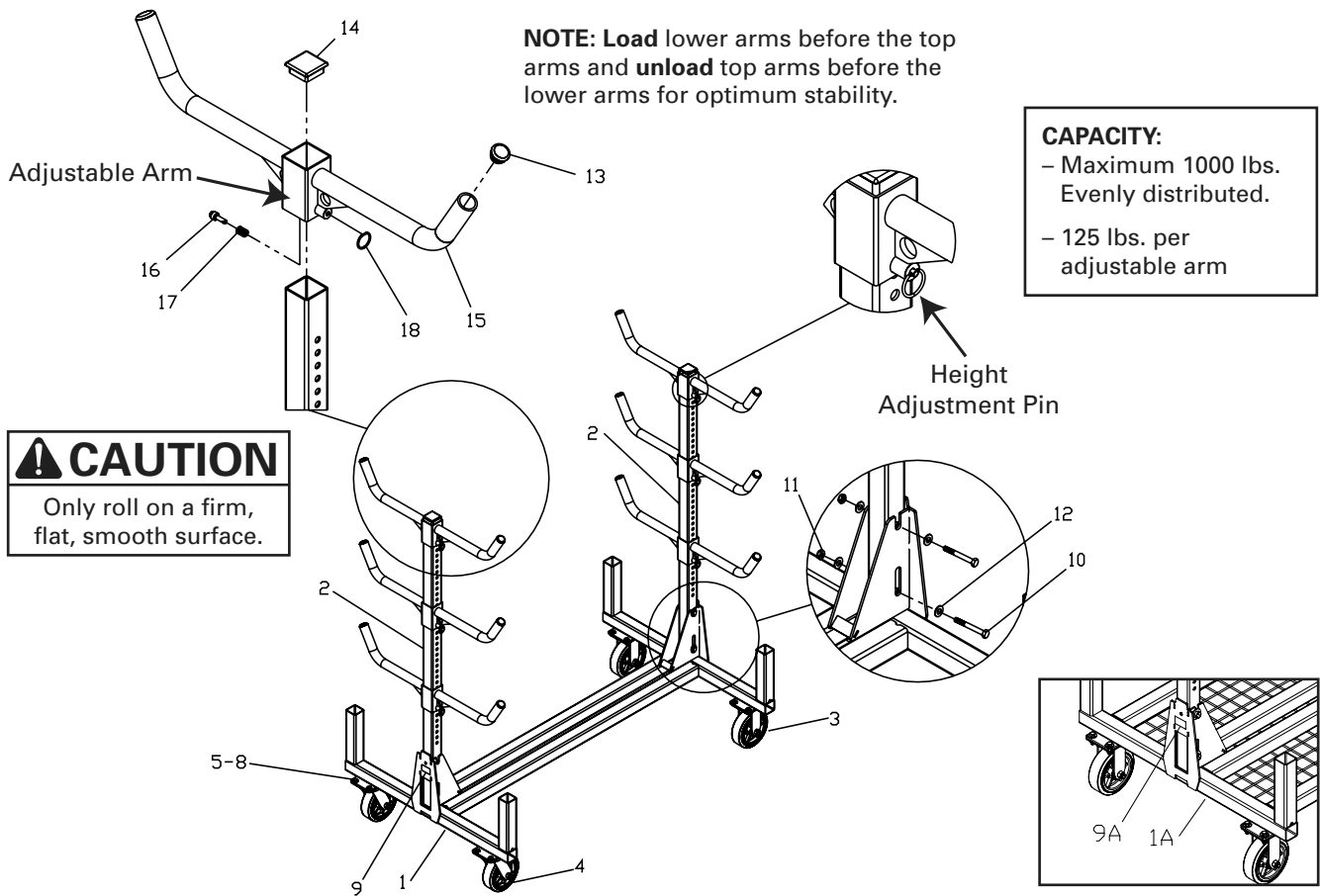
This manual is free of charge. All personnel who operate the Adjustable Arm Conduit Rack should have a copy of this manual and read and understand its contents. To request a copy, call, write to the address below, or visit our website.

**CURRENT TOOLS • P. O. BOX 17026 GREENVILLE, SC 29606
800.230.5421 or 864.721.4230 • FAX 864.721.4232 • www.currenttools.com**

SPECIFICATIONS – 505AA & 505MAA

Model No.	505AA	505MAA
Dimensions	58 1/2" L x 34" W x 61" H	58 1/2" L x 34" W x 61" H
Weight Capacity	1,000 lbs. evenly distributed 125 lbs. per adjustable arm	1,000 lbs. evenly distributed 125 lbs. per adjustable arm
Weight	113 lbs.	119 lbs

EXPLODED VIEW AND PARTS LIST



PARTS LIST — 505AA AND 505MAA CONDUIT RACK

ITEM#	PART#	QTY	DESCRIPTION	ITEM#	PART#	QTY	DESCRIPTION
1	505-245	1	BASE	9A	505MAA-DECAL	1	DECAL – 505MAA
1A	505M-102	1	BASE WITH MESH	10	281-IE	4	SCREW, HEX HEAD CAP 1/2-13 x 3"
2	505AA-115	2	TUBE – CENTER	11	281-1J	4	NUT, HEX 1/2-13 THIN NYLON INSERT
3	506-2	2	CASTER, RIGID	12	451-25	8	WASHER, FLAT
4	506-1	2	CASTER, SWIVEL	13	505-18	12	PLUG, PLASTIC
5	281-2D	16	SCREW, HEX HEAD CAP 3/8-16 x 1-1/4"	14	752-107	2	CAP, PLASTIC
6	506-3	16	WASHER, FLAT	15	505AA-101	6	ARM, ADJUSTABLE
7	452-27	16	WASHER, LOCK	16	505AA-113	6	PIN
8	452-28	16	NUT, HEX, 3/8-16	17	505AA-002	6	SPRING
9	505AA-DECAL	1	DECAL	18	8099-3	6	RING

CURRENT TOOLS • P. O. BOX 17026 GREENVILLE, SC 29606
800.230.5421 or 864.721.4230 • FAX 864.721.4232 • www.currenttools.com