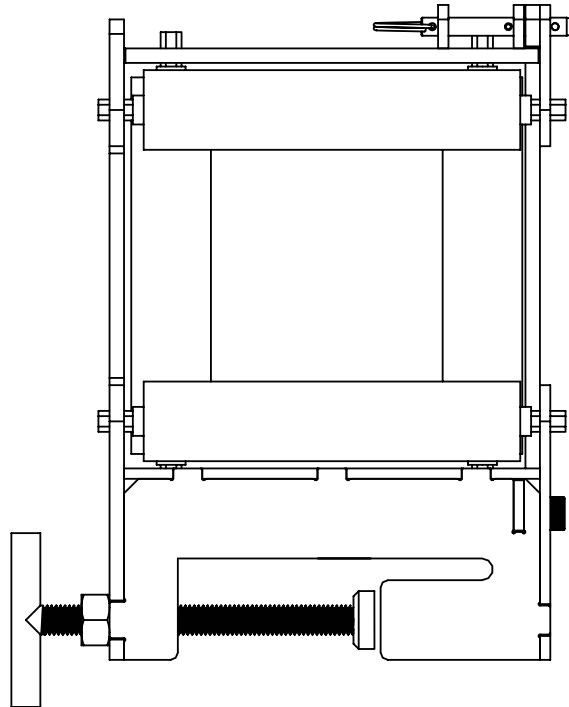




# **Current Tools**

**FOR THE PROFESSIONAL ELECTRICIAN**

## **Model 9544 Four-Sided Roller with Clamp**



## **Instruction Sheet**

10/18



**Read and understand this material before installing or using the Four-Sided Roller. Failure to understand how to safely install and use this unit could result in serious injury or death.**

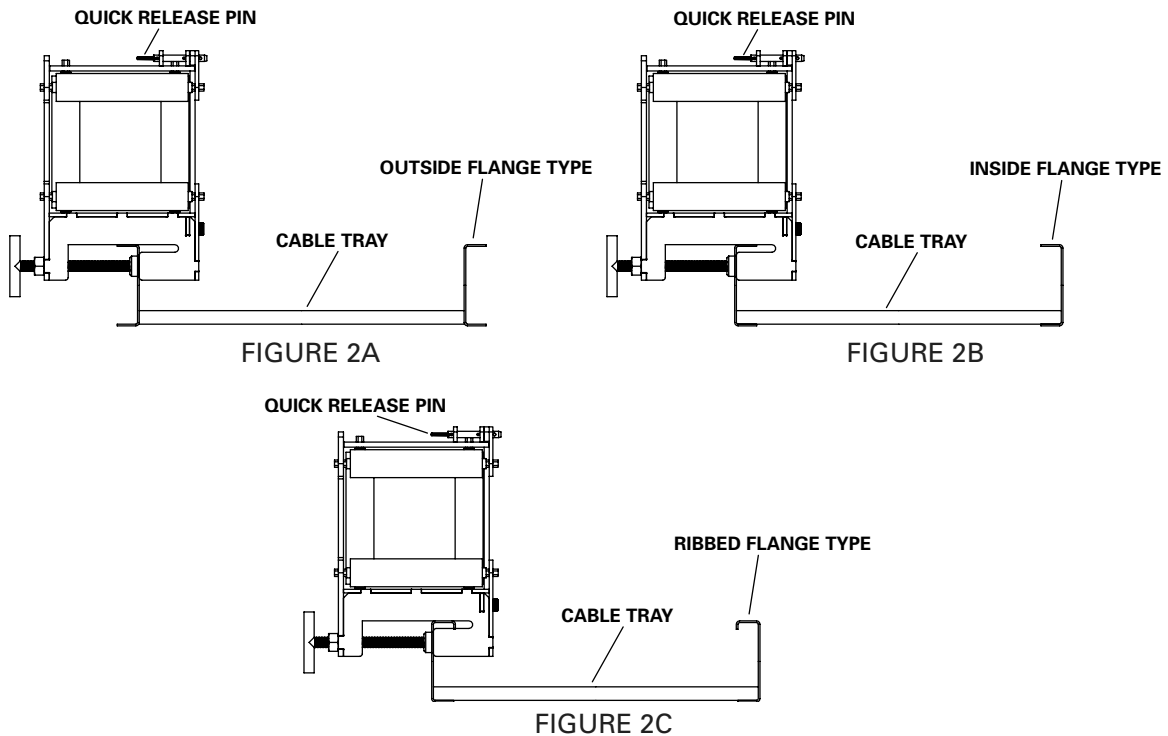
This manual is free of charge. All personnel who install or use the Four-Sided Roller should have a copy of this manual and read and understand its contents. To request a copy, call or write to the address below.

**CURRENT TOOLS • P. O. BOX 17026 GREENVILLE, SC 29606  
800.230.5421 or 864-721-4230 • FAX 864-721-4232  
www.currenttools.com**

## SPECIFICATIONS

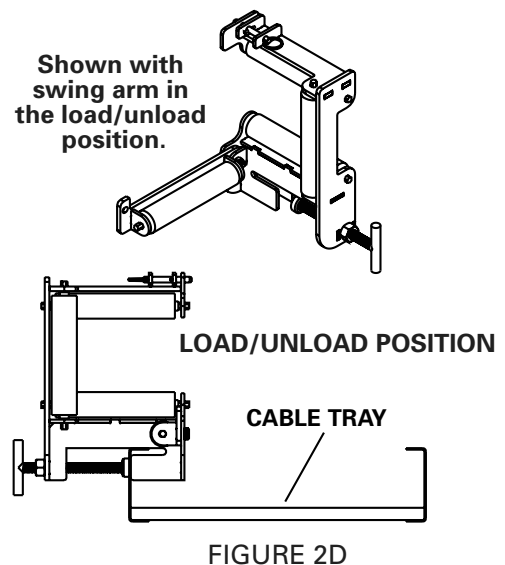
Model No.	9544
Opening Size	4"
Capacity	100 lbs.
Weight	10 lbs.

## TYPICAL CLAMPING ARRANGEMENTS



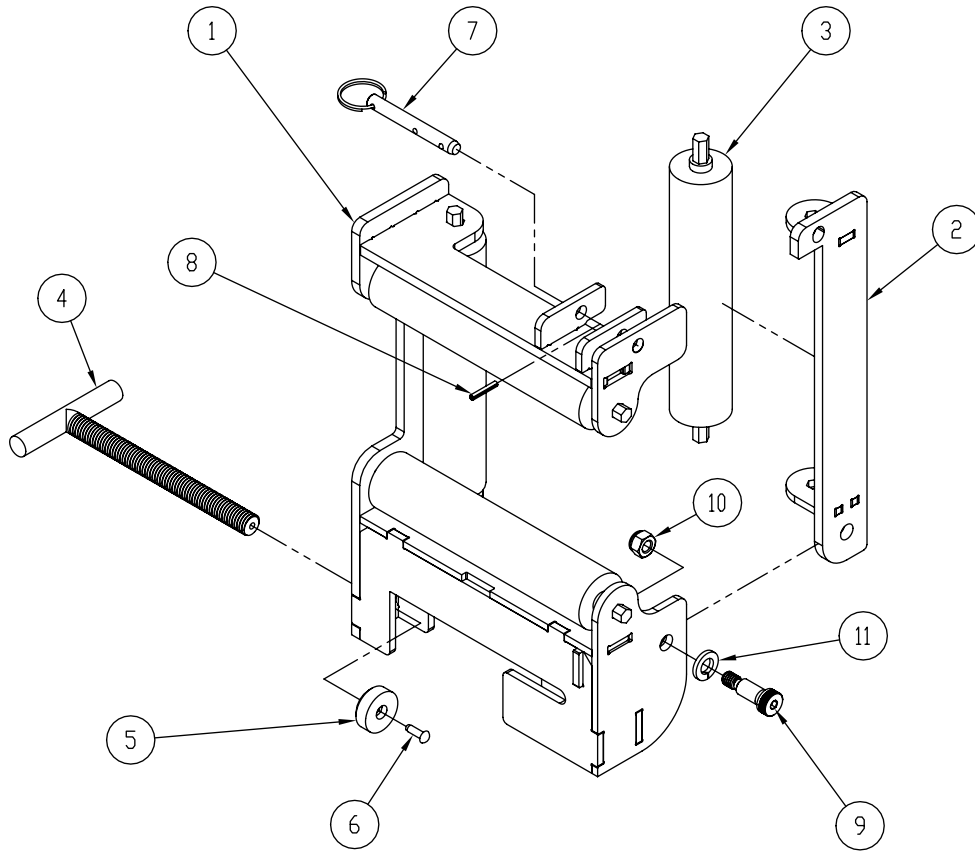
## OPERATING INSTRUCTIONS

1. Firmly attach the four-sided roller to cable tray using the clamp provided. Position the 4 sided roller so that it opens to the inside of the cable tray. (See Figures 2A thru 2C).
2. Pull the quick release pin and lower the swing arm to load cable (See Figure 2D). Raise the swing arm and fully re-insert the quick release pin before beginning the pull.
3. After the pull is complete, pull the quick release pin and lower the swing arm. Unload the cable into the cable tray (See Figure 2D). Raise the swing arm and fully re-insert the quick release pin.





# EXPLODED VIEW — 9544 FOUR-SIDED ROLLER



# PARTS LIST

ITEM#	PART #	QTY	DESCRIPTION
1	9544-124	1	FRAME – ROLLER
2	9544-127	1	SWING ARM – ROLLER
3	9544-003	4	ROLLER
4	9548-743	1	T-SCREW – CLAMP
5	9548-709	1	END – CLAMP
6	9548-2	1	SCREW – U-DRIVE
7	9544-005	1	PIN – QUICK RELEASE
8	77-035A	1	PIN – ROLL, 1/8 × 3/4
9	77HRB-001	1	SCREW – SHOULDER SKT, 3/8 × 3/4
10	2-1301-4	1	NUT-HEX, NYLON INSERT, 5/16–18
11	452-27	1	WASHER – LOCK, 3/8