



# Current Tools

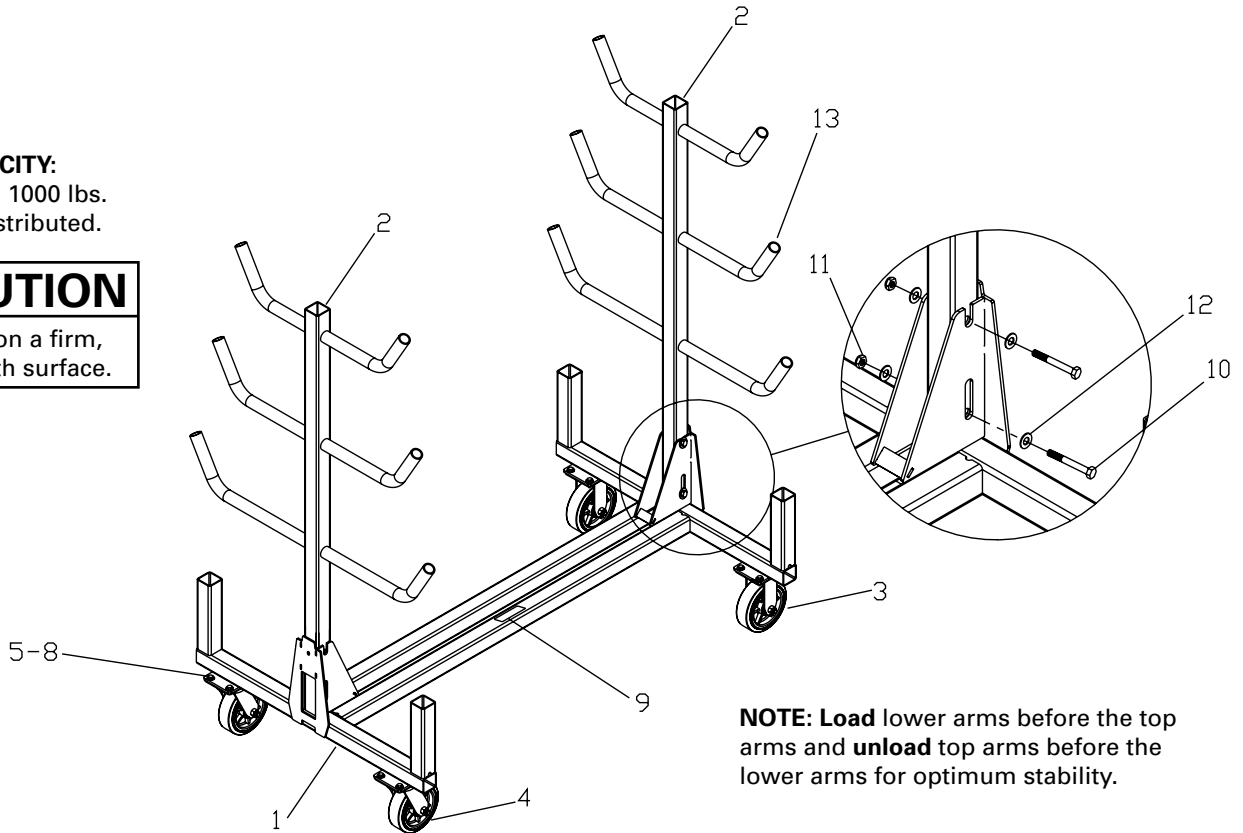
FOR THE PROFESSIONAL ELECTRICIAN

## Model 505 Conduit Rack

**CAPACITY:**  
Maximum 1000 lbs.  
Evenly distributed.

### CAUTION

Only roll on a firm,  
flat, smooth surface.



**NOTE:** Load lower arms before the top arms and **unload** top arms before the lower arms for optimum stability.

## INSTRUCTION SHEET AND PARTS LIST

### PARTS LIST — 505 CONDUIT RACK

ITEM#	PART#	QTY	DESCRIPTION
1	505-245	1	BASE
2	505-246	2	ARM
3	506-2	2	CASTER, RIGID
4	506-1	2	CASTER, SWIVEL
5	281-2D	16	SCREW, HEX HEAD CAP 3/8-16 x 1-1/4"
6	506-3	16	WASHER, FLAT
7	452-27	16	WASHER, LOCK

ITEM#	PART#	QTY	DESCRIPTION
8	452-28	16	NUT, HEX, 3/8-16
9	505-10	1	DECAL
10	281-IE	4	SCREW, HEX HEAD CAP 1/2-13 x 3"
11	281-1J	4	NUT, HEX 1/2-13 THIN NYLON INSERT
12	451-25	8	WASHER, FLAT
13	505-18	12	PLUG, PLASTIC



Read and understand this material before operating the Conduit Rack. Failure to understand how to safely operate this Conduit Rack may result in injury or property damage.

This manual is free of charge. All personnel who operate the Conduit Rack should have a copy of this manual and read and understand its contents. To request a copy, call, write to the address below, or visit our website..

**CURRENT TOOLS • P. O. BOX 17026 GREENVILLE, SC 29606**  
**800.230.5421 or 864.721.4230 • FAX 864.721.4232 • www.currenttools.com**