

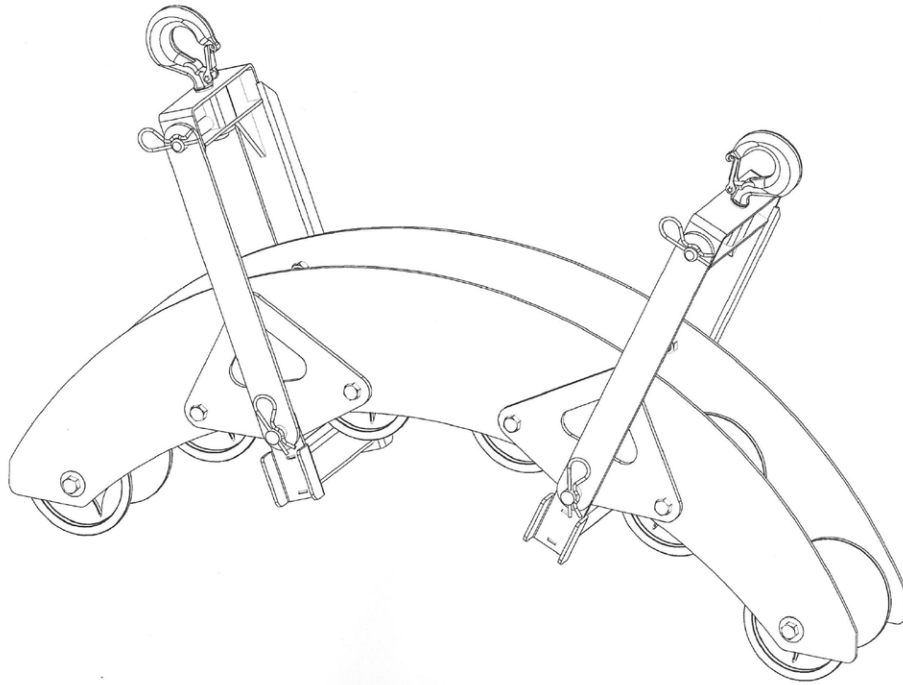


# **Current Tools**

FOR THE PROFESSIONAL ELECTRICIAN

## **EZ Sheave™ Radius Sheaves**

**Models 12024EZ, 12036EZ, 12048EZ,  
AND Model 12060 Radius Sheave  
4,000 lb. Capacity**



## **Operating, Maintenance, Safety and Parts Manual**

01/2016



**Read and understand this material before operating or servicing this EZ Sheave™ Radius Sheave. Failure to understand how to safely operate and service this sheave may result in serious injury or death.**

This manual is free of charge. All personnel who operate this EZ Sheave™ Radius Sheave should have a copy of this manual and read and understand its contents. To obtain a copy, call, write to the address below, or visit our website.

**CURRENT TOOLS • P. O. BOX 17026 GREENVILLE, SC 29606  
800.230.5421 or 864.721-4230 • FAX 864.721.4232  
www.currenttools.com**

## TABLE OF CONTENTS

<i>Safety Alerts</i> . . . . .	2
<i>Safety Information</i> . . . . .	3
<i>Determining Hook Load</i> . . . . .	4
<i>Hook Load Illustrations</i> . . . . .	5
<i>Hook Load Calculations</i> . . . . .	6-7
<i>Hook Warning &amp; Applications</i> . . . . .	8-9
<i>Instructions for Use</i> . . . . .	10
<i>Exploded View and Parts List — Model 12024EZ</i> . . . . .	11
<i>Exploded View and Parts List — Model 12036EZ</i> . . . . .	12
<i>Exploded View and Parts List — Model 12048EZ</i> . . . . .	13
<i>Exploded View and Parts List — Model 12060</i> . . . . .	14

## SAFETY ALERTS



### Safety Alert Symbol

THIS SAFETY SYMBOL is used to call your attention to instructions that concern your personal safety. It means: ATTENTION! BE AWARE! THIS IS AN IMPORTANT SAFETY INSTRUCTION!

Read, understand and follow these safety instructions. Failure to follow these safety instructions may result in injury or death.



### **DANGER**

Immediate hazards which, if not avoided, WILL result in serious personal injury or death.



### **WARNING**

Hazards or unsafe practices which, if not avoided, COULD result in serious personal injury or death.



### **CAUTION**

Hazards or unsafe practices which, if not avoided, COULD result in minor personal injury or property damage.

## RETAIN SAFETY INFORMATION



This manual should be read and understood by all personnel who operate or service this EZ Sheave™. Failure to understand how to safely operate and service this unit could result in injury or death. This unit should only be operated or serviced by qualified personnel.



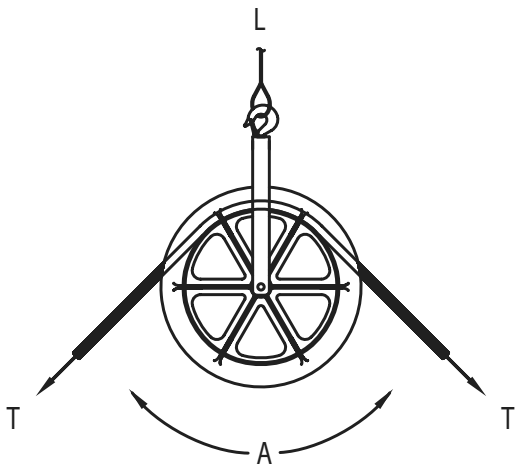
## IMPORTANT SAFETY INFORMATION

Follow ALL safety information provided by the manufacturer.

- ⚠ WARNING** Be aware that a cable puller may exert up to **twice** its rated capacity on any component in the pulling set-up.
- ⚠ WARNING** ALWAYS inspect the structural integrity of any supporting conduit, anchoring system, etc. that will hold the EZ Sheave™ Radius Sheave during the pull. These supports should be able to withstand **twice** the maximum pulling force of the cable puller.
- ⚠ WARNING** Rope must ALWAYS be pulled over a rotating sheave. If a sheave does not rotate, turn cable puller off immediately and determine the cause before continuing pull.
- ⚠ WARNING** All instructions and safety information supplied with the cable puller being used must be read and understood. Failure to understand how to safely operate and service the cable puller could result in serious injury or death.
- ⚠ WARNING** EZ Sheave™ Radius Sheave are for use in cable pulling only. DO NOT use for lifting personnel or equipment. Failure to observe this warning could result in serious injury or death.
- ⚠ WARNING** Before removing spring clip and lowering the connector bar, ALWAYS relieve any tension on the EZ Sheave™.
- ⚠ WARNING** DO NOT use the EZ Sheave™ Radius Sheave without the connector bar in place and properly secured with the spring clip.
- ⚠ CAUTION** The angle of the pulling rope over the EZ Sheave™ Radius Sheave will help you calculate the load being applied to the radius sheave and its support structure. Be sure to determine this load prior to making a pull, and be certain the hook sheave and support structure can handle the load.
- ⚠ CAUTION** Read and understand the cable manufacturer's specifications for minimum bending radius for the cable being pulled. Using incorrect size sheaves can damage the cable.
- ⚠ CAUTION** ALWAYS wear safety glasses. Failure to wear eye protection could result in eye injury from flying debris.

# DETERMINING HOOK LOAD

The tension (T) on both sides of a rope as it crosses over a sheave add together to generate the load on a hook and it's anchoring and structural supports. This load (L) varies depending on both the tension and the angle (A) of the rope as it crosses over the sheave.



L = the load which is exerted on the hook and it's anchor points and structural supports

A = the angle made between the rope as it crosses over the sheave

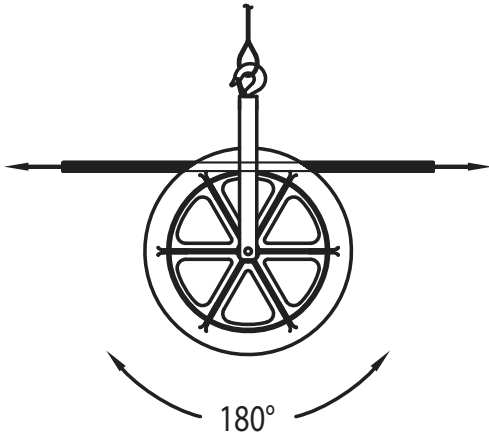
T = the tension on the rope created by the cable puller

## REFERENCE CHART

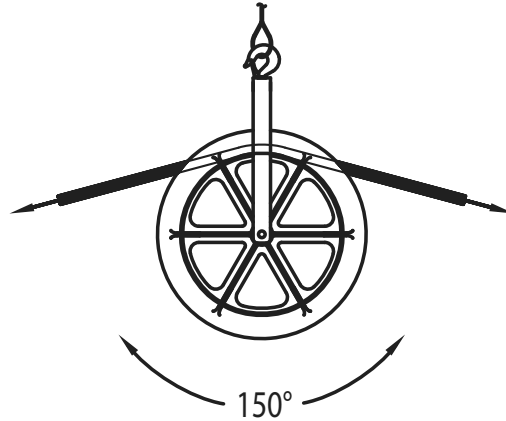
ILLUSTRATION	ANGLE (A)	LOAD (L)
<p>L = 0 A = 180°</p>	180°	0
	150°	0.52 x T
	135°	0.77 x T
	120°	1 x T
<p>L = 1.41 x T A = 90°</p>	90°	1.41 x T
	60°	1.73 x T
	45°	1.85 x T
	30°	1.93 x T
<p>L = 2 x T A = 0°</p>	0°	2 x T

# HOOK LOAD ILLUSTRATIONS

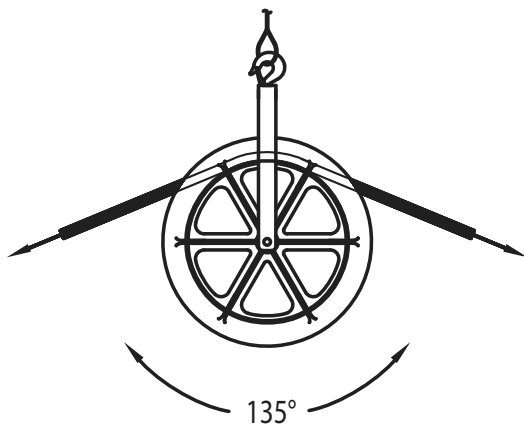
A STRAIGHT ROPE ON THE SHEAVE EXERTS NO LOAD ON THE HOOK



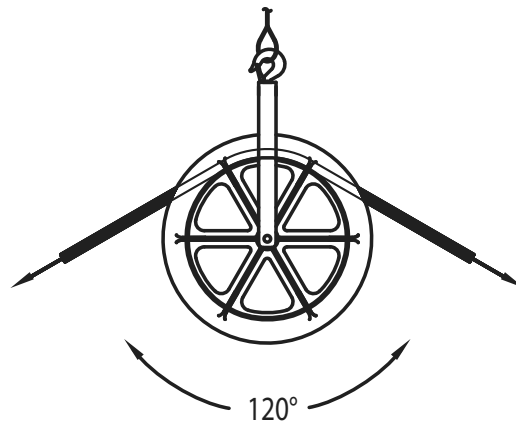
A ROPE AT AN ANGLE OF 150° EXERTS A HOOK LOAD EQUAL TO 1/2 OF THE PULLING FORCE.



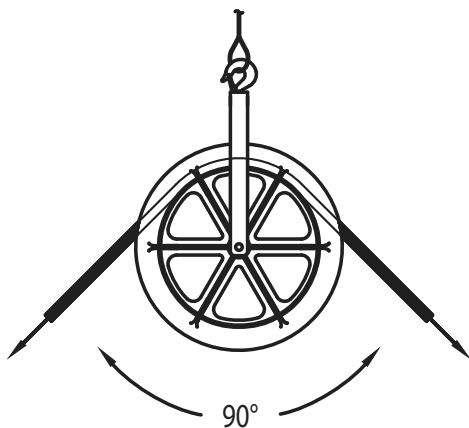
A ROPE AT AN ANGLE OF 135° EXERTS A HOOK LOAD EQUAL TO 3/4 OF THE PULLING FORCE.



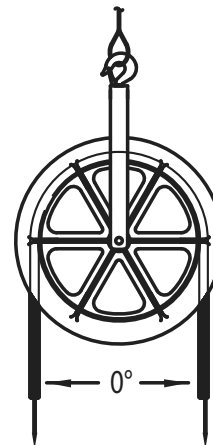
A ROPE AT AN ANGLE OF 120° EXERTS A HOOK LOAD EQUAL TO THE PULLING FORCE.



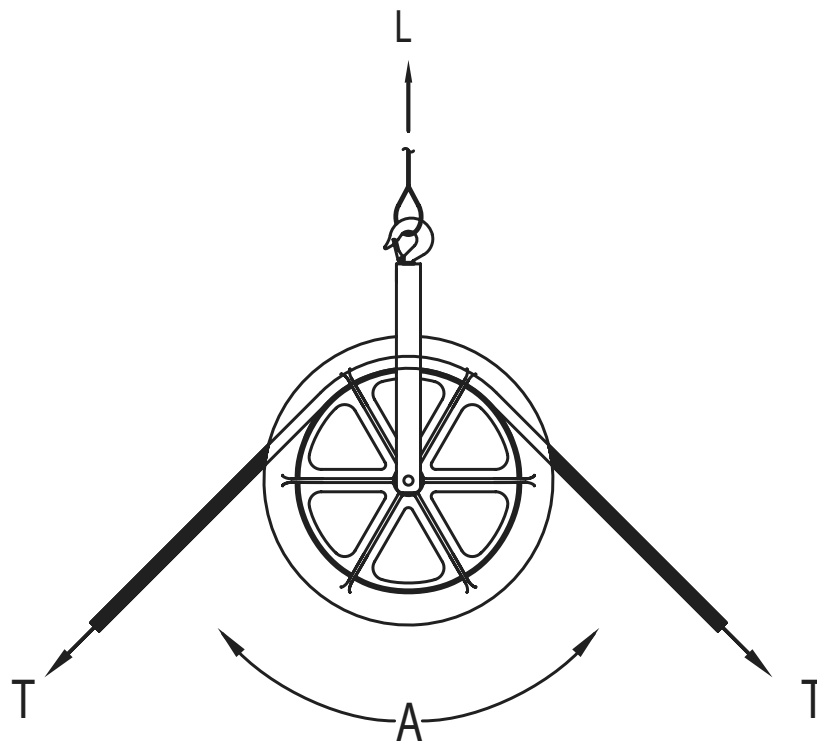
A ROPE AT AN ANGLE OF 90° EXERTS A HOOK LOAD EQUAL TO 1-1/2 TIMES THE PULLING FORCE.



A ROPE AT AN ANGLE OF 0° EXERTS A HOOK LOAD EQUAL TO 2 TIMES THE PULLING FORCE.



## HOOK LOAD (L) CALCULATIONS



### SINGLE ATTACHMENT POINT

$$L = 2 \times T \times \sin [(180-A)/2]$$

#### WHERE:

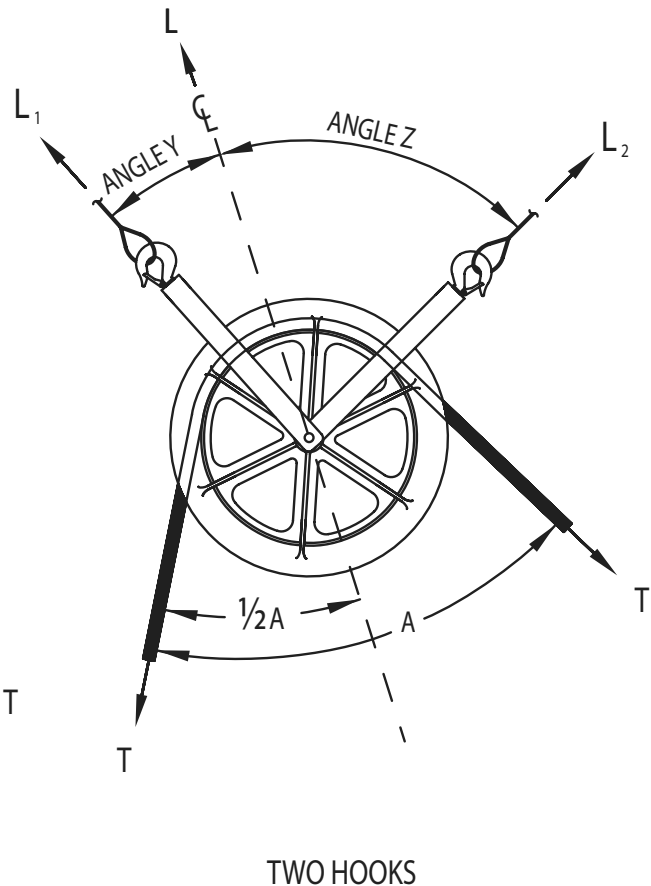
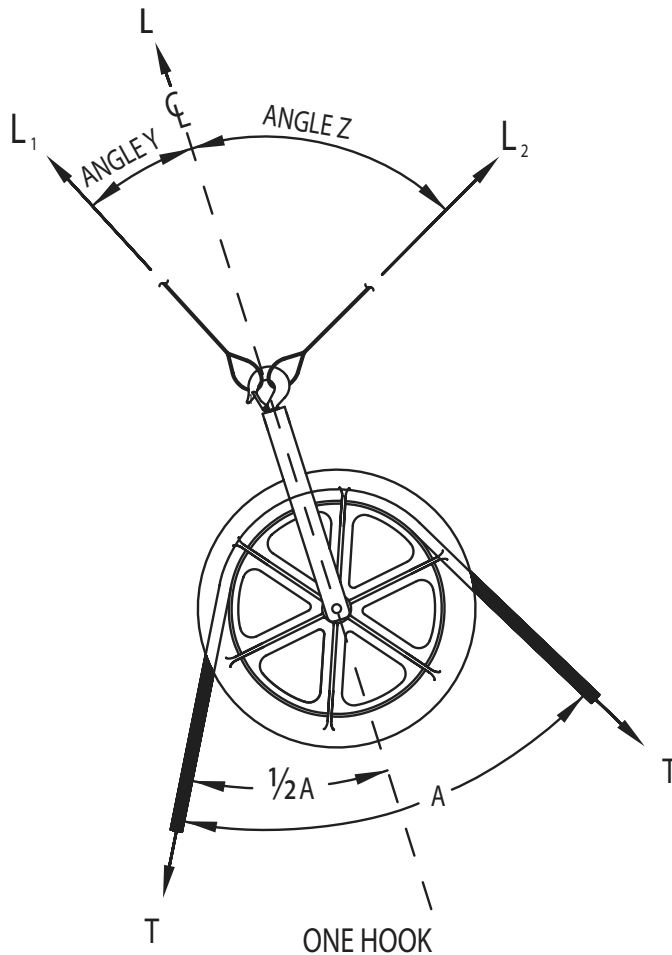
L = the load which is exerted on the hook and its anchor points and structural supports

A = the angle made between the rope as it crosses over the sheave

T = the tension on the rope created by the cable puller

**NOTE:** WEIGHT OF SHEAVE MUST BE ADDED TO THE CALCULATED LOAD (L) FOR TOTAL LOAD ON SUPPORT STRUCTURE

# HOOK LOAD (L) CALCULATIONS



## TWO ATTACHMENT POINTS (WITH EITHER ONE OR TWO HOOKS)

STEP 1  
CALCULATE LOAD AT CENTERLINE

$$L = 2 \times T \times \sin [(180-A)/2]$$

WHERE:

L = the load which is exerted the centerline

A = the angle made between the rope as it crosses over a sheave

T = the tension on the rope created by the cable puller

STEP 2  
CALCULATE LOAD AT LEFT (L<sub>1</sub>)

$$L_1 = \frac{L}{\cos Y + \sin Y / \tan Z}$$

WHERE:

L<sub>1</sub> = the load at the left hook or left support

L = the load which is exerted at the centerline

Y = the angle made between the left hook or support and the centerline

Z = the angle made between the right hook or support and the centerline

STEP 3  
CALCULATE LOAD AT LEFT (L<sub>2</sub>)

$$L_2 = \frac{L}{\cos Z + \sin Z / \tan Y}$$

WHERE:

L<sub>2</sub> = the load at right hook or right support

L = the load which is exerted at the centerline

Y = the angle made between the left hook or support and the centerline

Z = the angle made between the right hook or support and the centerline

NOTE : WEIGHT OF SHEAVE MUST BE ADDED TO THE CALCULATED LOADS IN ALL CASES

# CROSBY® HOIST HOOK

## WARNING AND APPLICATION INSTRUCTIONS

### ⚠ WARNING

- Loads may disengage from hook if proper procedures are not followed.
- A falling load may cause serious injury or death.
- Hook must always support the load. The load must never be supported by the latch.
- Read and understand these instructions before using hook.

### IMPORTANT SAFETY INFORMATION – READ AND FOLLOW

- A visual periodic inspection for cracks, nicks, wear, gouges and deformation as part of a comprehensive documented inspection program, should be conducted by trained personnel in compliance with the schedule in ANSI B30.10. Refer to ANSI B30.10 – hooks for additional information.
- Never use a hook whose throat opening has been increased, or whose tip has been bent more than 10 degrees out of plane from the hook body, or is in any other way distorted or bent. **Note: A latch will not work properly on a hook with a bent or worn tip.**
- Never use a hook that is worn beyond the limits shown in Figure 1.
- Remove from service any hook with a crack, nick, or gouge. Hooks with a nick or gouge shall be repaired by trained personnel by grinding lengthwise, following the contour of the hook, provided that the reduced dimension is within the limits shown in Figure 1. Contact Crosby Engineering to evaluate any crack.
- Never repair, alter, rework, or reshape a hook by welding, heating, burning, or bending.
- Never side load, back load, or tip load a hook. (Side loading, back loading and tip loading are conditions that damage and reduce the capacity of the hook). (See Figure 2.)
- Always make sure the hook supports the load. (See Figure 3). The latch must never support the load (See Figure 4).
- When placing two (2) sling legs in hook, make sure the angle from the vertical to the outermost leg is not greater than 45 degrees, and the included angle between the legs does not exceed 90 degrees (See Figure 5). For two legged slings with angles greater than 90 degrees, use an intermediate link such as a master link or bolt type shackle to collect the legs of the slings. The intermediate link can be placed over the hook to provide an in-line load on the hook. This approach must also be used when using slings with three or more legs.

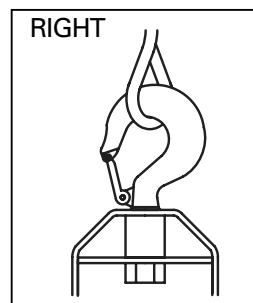
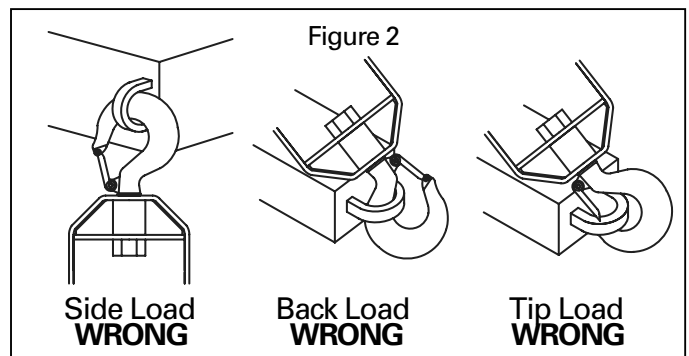
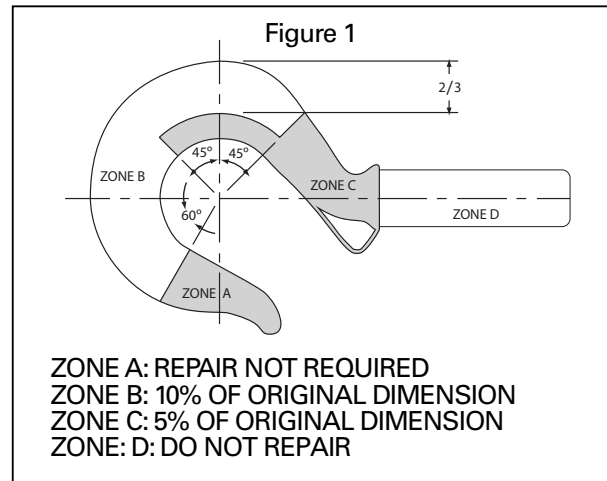


Figure 3

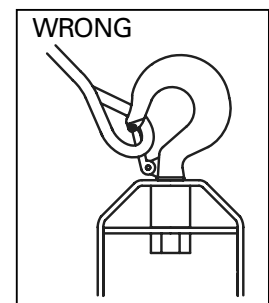


Figure 4

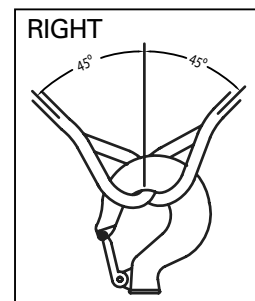


Figure 5



# HOOK LATCH KIT

## WARNING AND APPLICATION INSTRUCTIONS

### IMPORTANT SAFETY INFORMATION – READ AND FOLLOW



- Always inspect hook and latch before using.
- Never use a latch that is distorted or bent.
- Always make sure spring will force the latch against the tip of the hook.
- Always make sure hook supports the load. The latch must never support the load. (See Figure 1 & 2.)
- When placing two (2) sling legs in hook, make sure the angle between the legs is less than 90° and if the hook or load is tilted, nothing bears against the bottom of the latch. (See Figure 3 & 4.)
- Latches are intended to retain loose sling or devices under slack conditions.
- Latches are not intended to be an anti-fouling device.



### WARNING

- Loads may disengage from hook if proper procedures are not followed.
- A falling load may cause serious injury or death.
- Hook must always support the load. The load must never be supported by the latch.
- DO NOT use this latch in applications requiring non-sparking.
- Read and understand these instructions before using hook and latch.

WRONG

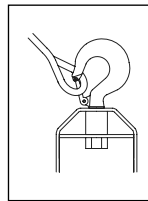


Figure 1

RIGHT

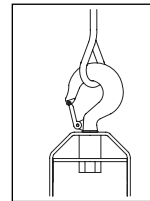


Figure 2

WRONG

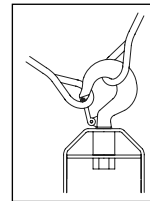


Figure 3

RIGHT

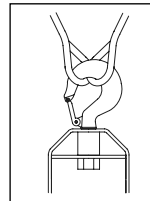
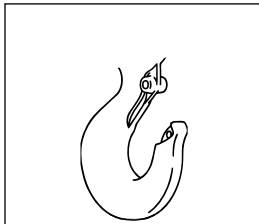


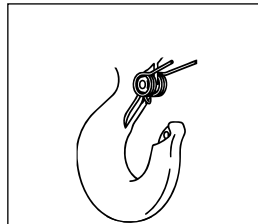
Figure 4

### IMPORTANT – Instructions for Assembling Latch on Hooks



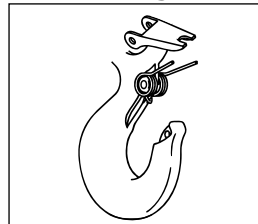
Step 1

1. Place hook at approximately a 45 degree angle with the cam up.



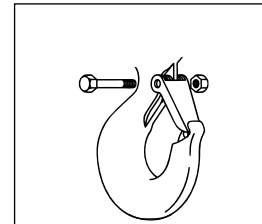
Step 2

2. Position coils of spring over cam with legs of spring pointing toward point of hook and loop of spring positioned down and lying against the hook.



Step 3

3. Position latch to side of hook points. Slide latch onto spring legs between lockplate and latch body until latch is partially over hook cam. Then depress latch and spring until latch clears point of hook.



Steps 4, 5, & 6

4. Line up holes in latch with hook cam.  
5. Insert bolt through latch, spring, and cam.  
6. Tighten self-locking nut on one end of bolt.

# EZ SHEAVE™ RADIUS SHEAVE INSTRUCTIONS FOR USE

1. To unload the EZ Sheave™ Radius Sheave, remove the spring clips (Part #406-3) from the tabs located at the top of the yoke frames near the hooks. (See Figure 4a).
2. Pull the connector bars out far enough to clear the top tab and lower connector bar out of the way (See Figure 4b).
3. Unload the cable. Raise the connector bars back into position (See Figure 4c ). Insert the spring clips into the tabs to secure the connector bars (See Figure 4d).



Figure 4a



Figure 4b



Figure 4c

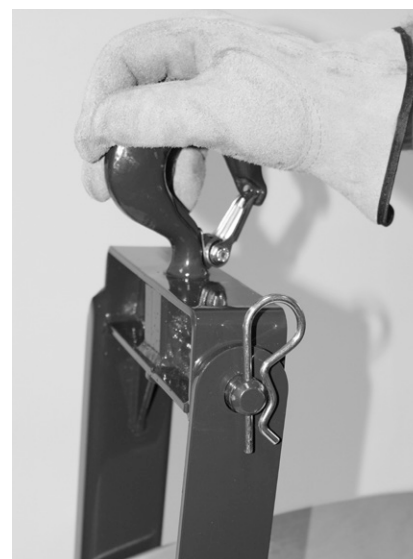


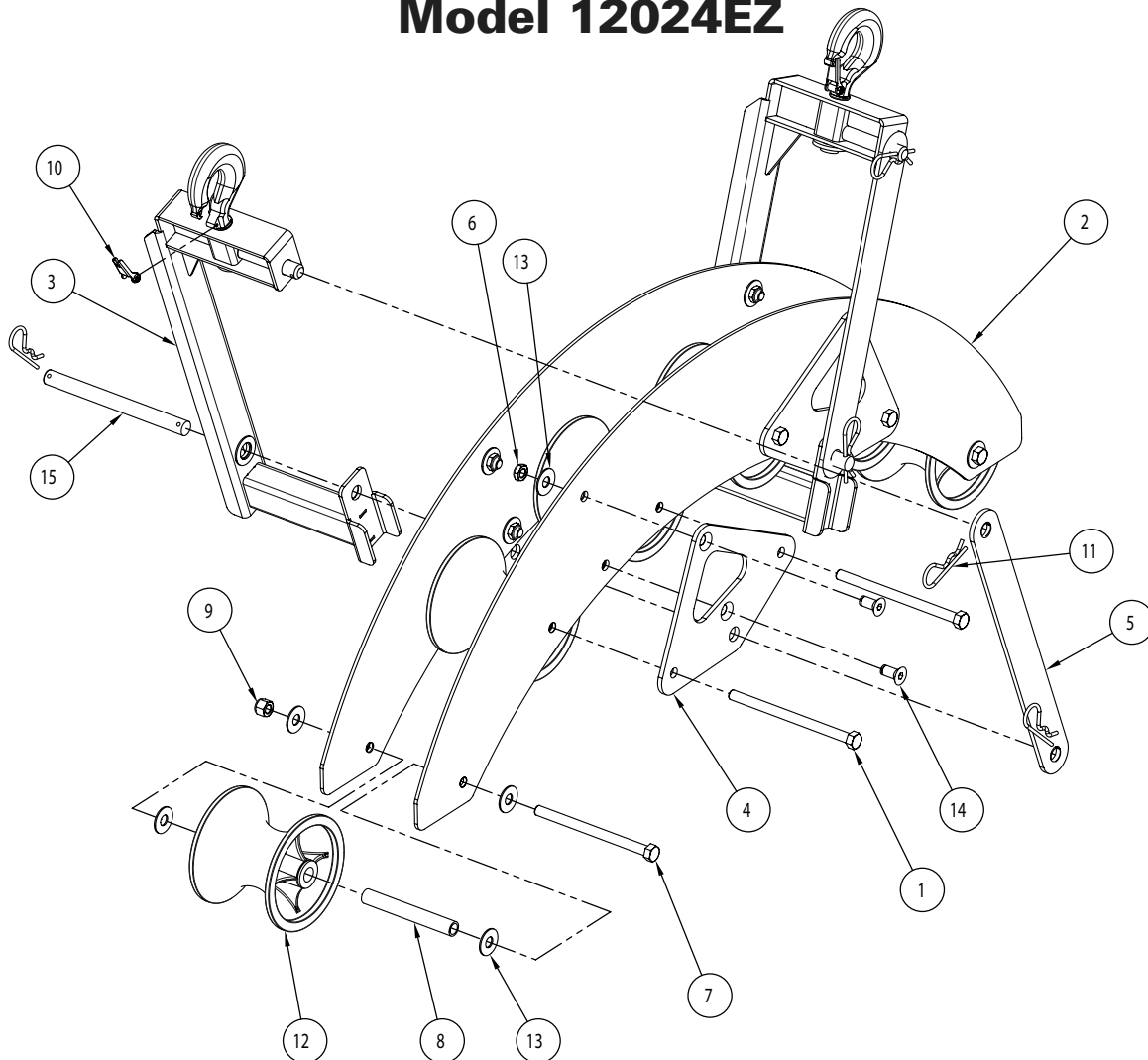
Figure 4d

**⚠ WARNING**

DO NOT operate the EZ Sheave™ Radius Sheave without the connector bars in place and properly secured.

# EXPLODED VIEW AND PARTS LIST

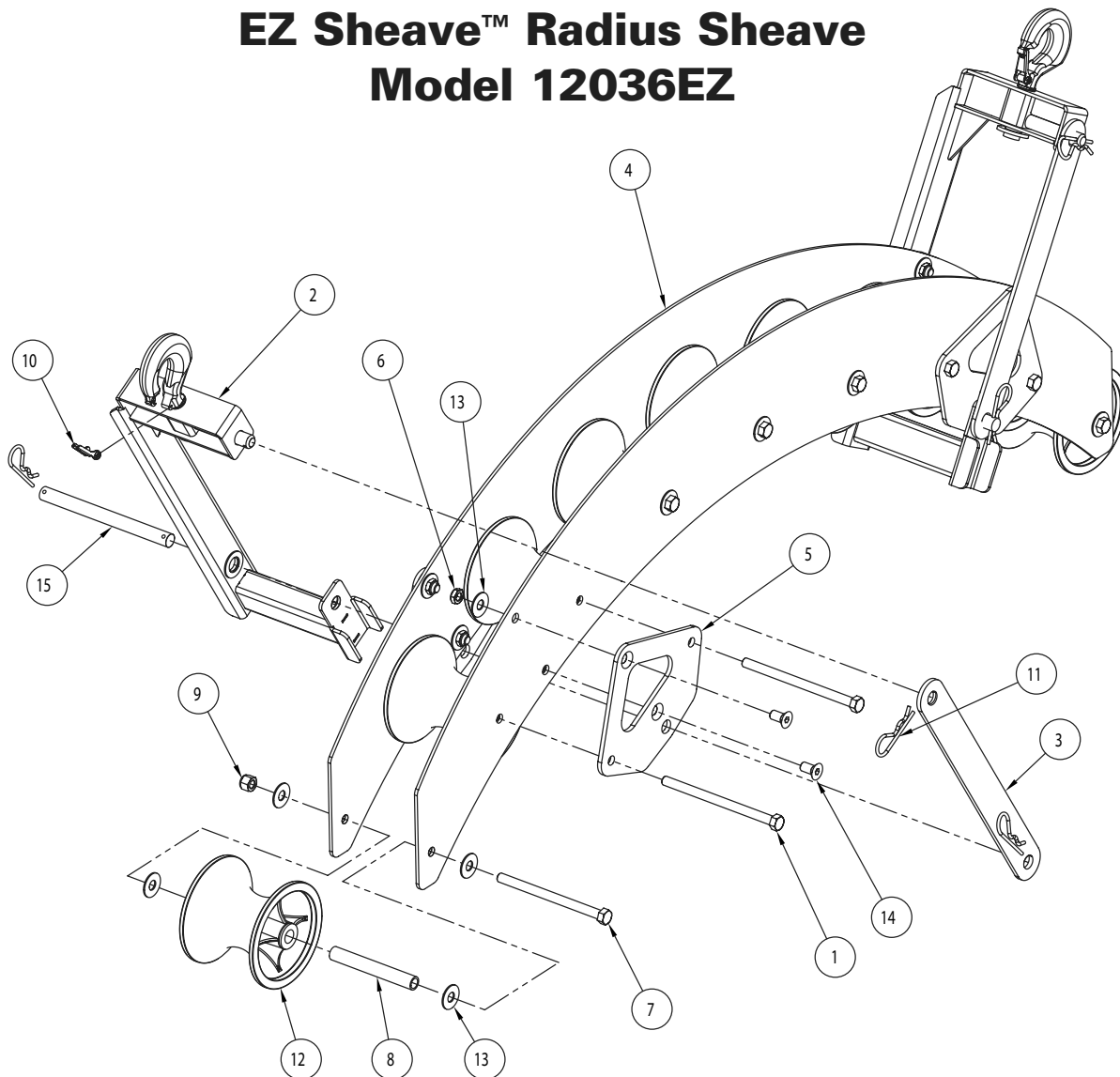
## EZ Sheave™ Radius Sheave Model 12024EZ



ITEM NO.	PART NUMBER	DESCRIPTION	QTY.
1	12024-4	1/2-13 X 7.50 LG HEX BOLT	2
2	12024EZ-101	SIDE PLATE, 24" R. SHEAVE	2
3	12024EZ-102	WELDMENT, HOOK	2
4	12024EZ-104	BRACKET, HOOK MOUNT	4
5	12024EZ-114	CONNECTOR BAR	2
6	281-1J	1/2-13 NYLOCK NUT (THIN)	8
7	333-2	1/2-13 X 7.00 LG HEX BOLT	2
8	333-214	SLEEVE, SHEAVE	6
9	333-7	1/2-13 NYLOCK NUT	6
10	406-1A1	LATCH KIT	2
11	406-3	RCLIP	6
12	406-4	6" SHEAVE ASSEMBLY	6
13	451-25	.50 ID X 1.37 OD X .11 WASHER	26
14	752-102	1/2-13 X 1.00 LG FHCS	8
15	8091-455	.75 DIA. X 8.62 LG PIN	2
16	12024EZ-1	DECAL SET (NOT SHOWN)	1

# EXPLODED VIEW AND PARTS LIST

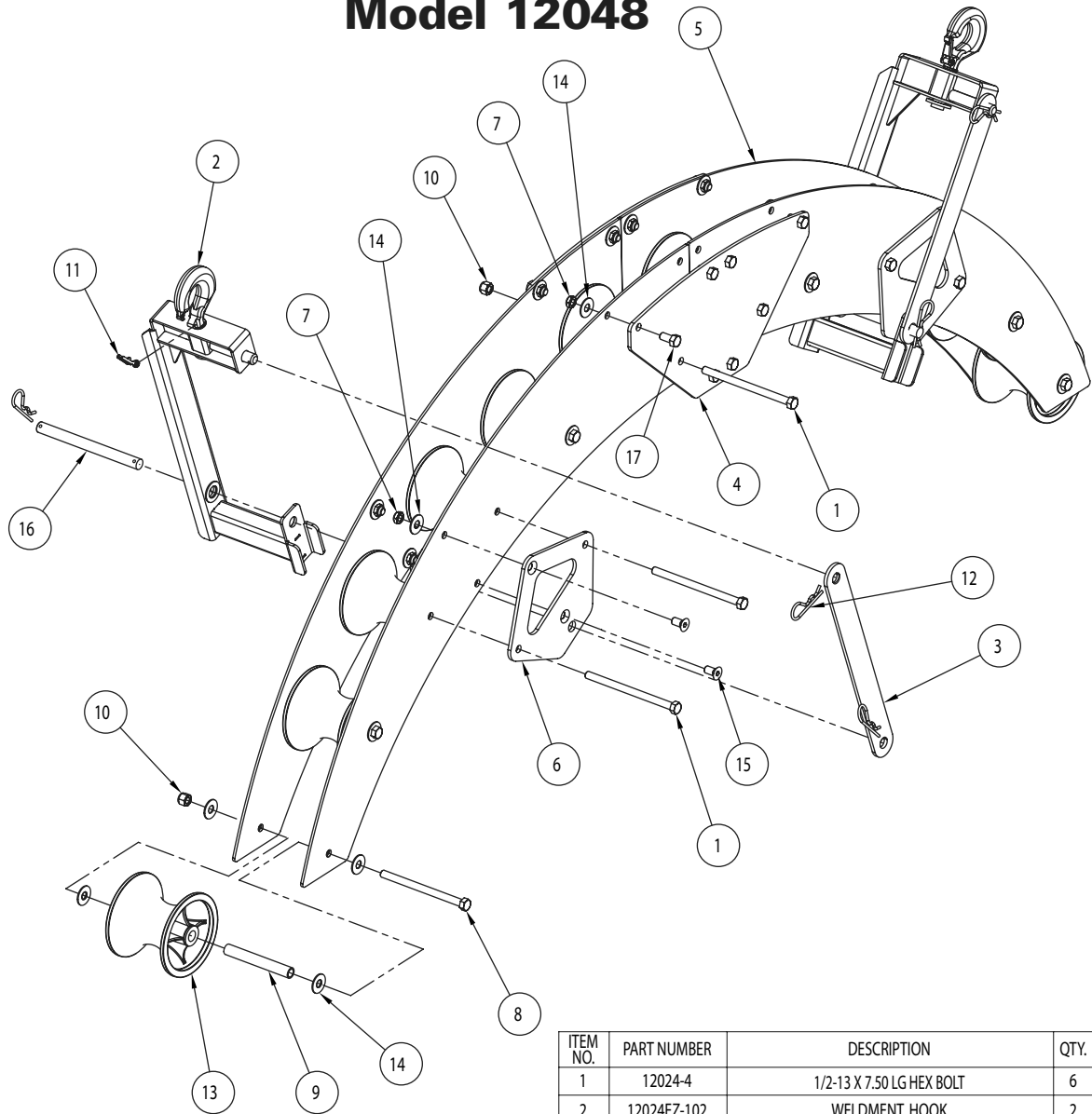
## EZ Sheave™ Radius Sheave Model 12036EZ



ITEM NO.	PART NUMBER	DESCRIPTION	QTY.
1	12024-4	1/2-13 X 7.50 LG HEX BOLT	4
2	12024EZ-102	WELDMENT, HOOK	2
3	12024EZ-114	CONNECTOR BAR	2
4	12036EZ-101	SIDE PLATE, 24" R. SHEAVE	2
5	12036EZ-102	BRACKET, HOOK MOUNT	4
6	281-1J	1/2-13 NYLOCK NUT (THIN)	8
7	333-2	1/2-13 X 7.00 LG HEX BOLT	5
8	333-214	SLEEVE, SHEAVE	9
9	333-7	1/2-13 NYLOCK NUT	9
10	406-1A1	LATCH KIT	2
11	406-3	RCLIP	6
12	406-4	6" SHEAVE ASSEMBLY	9
13	451-25	.50 ID X 1.37 OD X .11 WASHER	38
14	752-102	1/2-13 X 1.00 LG FHCS	8
15	8091-455	.75 DIA. X 8.62 LG PIN	2
16	12036EZ-2	DECAL SET (NOT SHOWN)	1

# EZ SHEAVE™ EXPLODED VIEW AND PARTS LIST

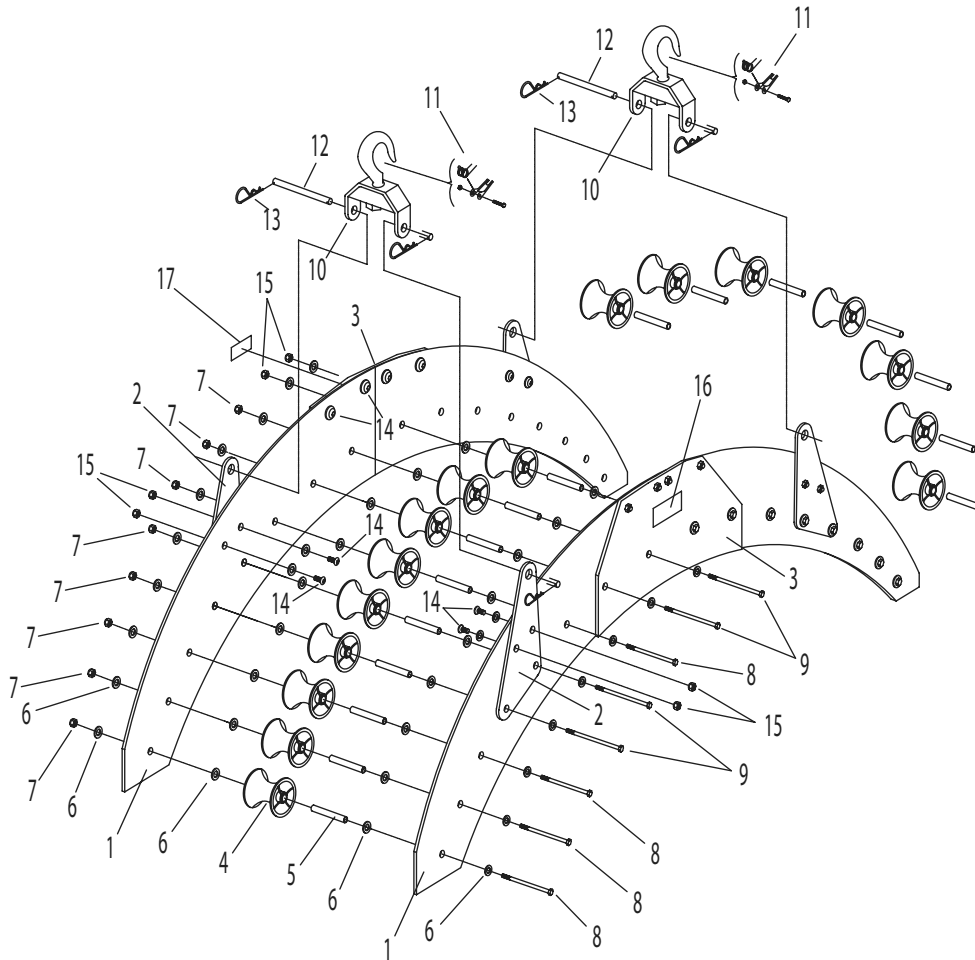
## Radius Sheave Model 12048



ITEM NO.	PART NUMBER	DESCRIPTION	QTY.
1	12024-4	1/2-13 X 7.50 LG HEX BOLT	6
2	12024EZ-102	WELDMENT, HOOK	2
3	12024EZ-114	CONNECTOR BAR	2
4	12048-265	SCAB PLATE, CAMEL BACK	2
5	12048EZ-101	SIDE PLATE, 48" R. SHEAVE	4
6	12048EZ-102	BRACKET, HOOK MOUNT	4
7	281-1J	1/2-13 NYLOCK NUT (THIN)	20
8	333-2	1/2-13 X 7.00 LG HEX BOLT	6
9	333-214	SLEEVE, SHEAVE	12
10	333-7	1/2-13 NYLOCK NUT	12
11	406-1A1	LATCH KIT	2
12	406-3	RCLIP	6
13	406-4	6" SHEAVE ASSEMBLY	12
14	451-25	.50 ID X 1.37 OD X .11 WASHER	60
15	752-102	1/2-13 X 1.00 LG FHCS	8
16	8091-455	.75 DIA. X 8.62 LG PIN	2
17	8092-2	1/2-13 X 1.00 LG HEX BOLT	14
18	12048-EZ-1	DECAL SET (NOT SHOWN)	1

# EXPLODED VIEW AND PARTS LIST

## Radius Sheave Model 12060



ITEM NO.	QTY	PART NO.	DESCRIPTION
1	4	12060-632	SIDE PLATE-RADIUS SHEAVE
2	4	12060-634	PLATE-HOOK
3	2	12060-633	PLATE-MIDDLE
4	16	406-4	6" SHEAVE
5	16	12024-477	SLEEVE-6" LONG
6	80	12024-7	FLAT WASHER
7	16	333-7	NUT-NYLOK 1/2-13
8	8	12024-4	1/2-13 X 7-1/2" HEX BOLT (GR 5)
9	8	12048-4	1/2-13 X 8" HEX BOLT (GR 5)
10	2	333-588	HOOK WELDMENT-(333)
11	2	333-5-1A1	LATCH KIT-5 TON SHANK
12	2	12060-3	PIN-3/4" X 7-7/8"
13	4	406-3	CLIP-R
14	16	12060-1	1/2-13 X 1" BUTTON HEAD CAP SCREW
15	16	281-1J	1/2-13 HEX NUT (THIN NYLON INSERT)
16	1	12060-2	DECAL-MODEL #
17	1	406-1D	DECAL-4000# CAPACITY