



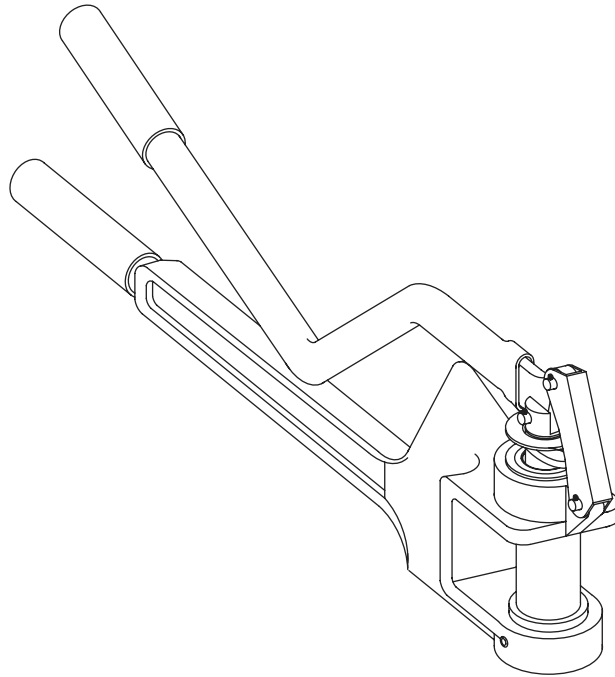
Current Tools

FOR THE PROFESSIONAL ELECTRICIAN

Current Tools™ Stud Punches

Model 140 – 7/8" diameter hole

Model 141 – 1 11/32" diameter hole



Operating, Maintenance, Safety and Parts Manual

07/10 REV. 2



Read and understand this material before using the Stud Punch. Failure to understand how to safely operate and service this unit could result in serious injury or death.

This manual is free of charge. All personnel who operate the Stud Punch should have a copy of this manual and read and understand its contents. To request a copy, call or write to the address below. All information, specifications and product designs may change due to design improvements or updates and are subject to change without notice. Current Tools does not assume any liability for damages resulting from misuse or incorrect application of its products.

CURRENT TOOLS • P. O. BOX 17026 GREENVILLE, SC 29606
800.230.5421 or 864-721-4230 • FAX 864-721-4232
www.currenttools.com



TABLE OF CONTENTS

Safety Alerts	2
Safety Information	3
Specifications	3
Operating Instructions	3
Maintenance	3
Exploded View	4
Parts List — Models 140 and 141 Stud Punches	4



SAFETY ALERTS



Safety Alert Symbol

THIS SAFETY SYMBOL is used to call your attention to instructions that concern your personal safety. It means: ATTENTION! BE AWARE! THIS IS AN IMPORTANT SAFETY INSTRUCTION!

Read, understand, and follow these safety instructions. Failure to follow these safety instructions may result in injury or death.



DANGER

Immediate hazards which, if not avoided, WILL result in serious personal injury or death.



WARNING

Hazards or unsafe practices which, if not avoided, COULD result in serious personal injury or death.



CAUTION

Hazards or unsafe practices which, if not avoided, COULD result in minor personal injury or property damage.

RETAIN SAFETY INFORMATION



This manual should be read and understood by all personnel who operate or service the Stud Punch. Failure to understand how to safely operate and service this unit could result in injury or death. This unit should only be operated or serviced by qualified personnel.

IMPORTANT SAFETY INFORMATION

Follow **ALL** safety information provided by the manufacturer.

▲ WARNING This unit is NOT insulated. Do NOT use this tool near live circuits.

▲ WARNING ALWAYS wear eye protection when punching.

▲ CAUTION This tool is designed to punch a maximum of 20 gauge mild steel. Do NOT use on heavier material.

▲ CAUTION ALWAYS check the tool before each use. REPLACE any worn or defective parts.

▲ CAUTION Hand pressure is sufficient to complete the punching process. NEVER attempt to apply additional pressure to the stud punch handles. Do NOT use a cheater bar. If hand pressure is not sufficient to complete the punching process, discontinue punching and determine the cause before continuing.

▲ CAUTION ONLY use the stud punch for its intended purpose as described in this manual.

SPECIFICATIONS

Model No.	140	141
Hole Size	7/8" diameter	1 ¹¹ / ₃₂ " hole
Weight	6.5 lbs.	7.0 lbs.
Maximum Punching Capacity	20 gauge <i>mild steel</i>	20 gauge <i>mild steel</i>
Minimum Stud Width	1 ⁵ / ₈ "	2 ¹ / ₂ "

OPERATING INSTRUCTIONS

1. Position the stud punch on the metal stud.
2. To punch, bring handles together.

NOTE: *Both models (140 and 141) are designed to center the hole on a standard 3¹/₂" wide metal stud.*

NOTE: *If hand pressure is not sufficient to complete the punching process, discontinue punching and determine the cause before continuing. Check to be sure metal stud is 20 gauge mild steel or thinner.*

MAINTENANCE

Oil Requirements: Apply a thin coating of oil to all moving parts.

PARTS LIST — Models 140 and 141 Stud Punches

ITEM #	140 PART #	141 PART #	QTY	DESCRIPTION
1	140-1	141-H	1	HOUSING, STUD PUNCH (INCLUDES ITEM #3)
2	140-331	141-243	1	DIE
3	140-332	141-297	1	SLEEVE
4	1560	141-310	1	PUNCH
5	141-304	141-304	1	LINKAGE
6	140-335	140-335	1	HANDLE
7	140-7	140-7	2	GRIP
8	140-330	141-302	1	TUBE
9	140-9	140-9	1	CLEVIS PIN 1/4" X 1 1/4"
10	140-10	140-10	3	CLIP
11	140-11	140-11	2	CLEVIS PIN 1/4" X 1"
12	140-329	141-301	1	PUNCH MOUNT
13	453-19	453-19	1	SET SCREW
14	141-320	141-320	2	WASHER
15	141-307	141-307	1	SPRING
16	140-16	140-16	1	RETAINING RING
17	140-M	141-M	1	DECAL

