



CABLE PULLING

100 Two Speed Cable Puller with Carriage – featuring **ROTABOOM™** 10,000 lb. Capacity

- 10,000lb. pulling capacity
- Built-in force gauge with digital read out
- One person set up
- Four wheel carriage for stability and ease of transport
- Patented 45° horizontal pivot (Rotaboom™) allows for use of puller in tight spaces
- Two speeds allow for fast pulling on low force pulls and increased torque for heavier pulls
- Boom height adjustment handle allows for easy vertical positioning of boom sections with little effort
- Snap-in couplings for quick and easy set-up
- Fits through 32" doorway
- Flat-free urethane wheels

with patented
ROTABOOM™
Patent # 9,899,811

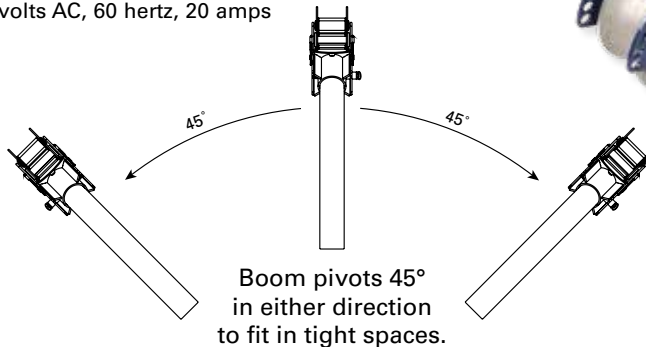


*See pages 80 & 81
for pulling rope.*

maximum pulling force — 10,000 lbs.

	Low Speed	High Speed
speeds (approx.)	no load — 12 FPM	no load — 33 FPM
	2,000 lbs. — 11 FPM	1,000 lbs. — 26 FPM
	4,000 lbs. — 10 FPM	1,500 lbs. — 20 FPM
	6,500 lbs. — 8 FPM	2,000 lbs. — 18 FPM

motor — 120 volts AC, 60 hertz, 20 amps



Scan here for video



Scan here for manual



Catalog Number	Description	Weight	
100	Two Speed Cable Puller with Carriage Comes standard with Item Numbers 1-12	400 lbs.	UPC 811993025341
100LP	Rotaboom™ Mobile Carriage LESS #1450 Puller Comes standard with item numbers 2–12	281 lbs.	UPC 811993026072
110	Two Speed Cable Puller with Floor Mount Comes standard with Model #2280 Floor Mount	159 lbs.	UPC 811993026089
120	Two Speed Cable Puller with Chain Mount Comes standard with Model #2281 Chain Mount	169 lbs.	UPC 811993026096



Current Tools
FOR THE PROFESSIONAL ELECTRICIAN

www.currenttools.com

P.O. Box 17026 • Greenville, SC 29606 • 864.721.4230 • fax 864.721.4232 • 800.230.5421

Puller with Floor Mount



MODEL 110

Puller with Chain Mount



MODEL 120

Component Listings – 10,000 lb. Puller

Item Number	Catalog Number	Description	Weight	UPC
1	1450	Cable Puller – 10,000 lb Capacity	119 lbs.	UPC 811993025822
2	1710	Elbow Unit	43 lbs.	UPC 811993025839
3	1840	Nose Unit (optional)	33 lbs.	UPC 811993025846
3A	1840-S	Nose Unit with Sheave	34 lbs.	UPC 811993026478
4	1000	Mobile Carriage	75 lbs.	UPC 811993025853
5	1190	Puller Mount	89 lbs.	UPC 811993025860
6	1850	Boom Tube – 3' Long	13 lbs.	UPC 811993025877
7	1860	Boom Tube – 4' Long	17 lbs.	UPC 811993025884
8	198	Coupling – 2"	1.6 lbs.	UPC 811993025891
9	199	Coupling – 2 1/2"	1.9 lbs.	UPC 811993025907
10	200	Coupling – 3"	2.4 lbs.	UPC 811993025914
11	201	Coupling – 3 1/2"	3.8 lbs.	UPC 811993025921
12	202	Coupling – 4"	4.3 lbs.	UPC 811993025938
13	230	Coupling – 5" (optional)	4.8 lbs.	UPC 811993025945
14	255	Coupling – 6" (optional)	5.5 lbs.	UPC 811993026102
15	2280	Floor Mount and four 5/8" x 6" wedge anchors (optional)	40 lbs.	UPC 811993025952
16	2281	Chain Mount with chains (optional)	50 lbs.	UPC 811993026058
17	259	Screw-on Coupling – 2" (optional)	2.1 lbs.	UPC 811993025990
18	260	Screw-on Coupling – 2 1/2" (optional)	2.4 lbs.	UPC 811993026003
19	261	Screw-on Coupling – 3" (optional)	2.9 lbs.	UPC 811993026010
20	262	Screw-on Coupling – 3 1/2" (optional)	4.3 lbs.	UPC 811993026027
21	263	Screw-on Coupling – 4" (optional)	4.8 lbs.	UPC 811993026034

