



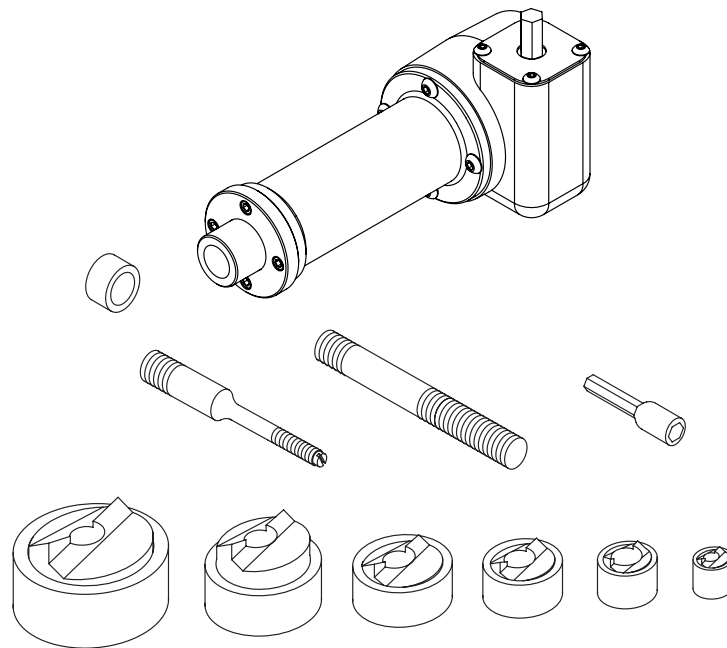
Current Tools

FOR THE PROFESSIONAL ELECTRICIAN

Heavy Duty Punch Driver Knockout Set for punching holes in 16 ga. to 10 ga. stainless steel



**Model 162SS - 1/2" to 2"
Heavy Duty Knockout Set**



Operating, Maintenance, Safety and Parts Manual

11/18



Read and understand this material before operating or servicing any component of the Punch Driver Set. Failure to understand how to safely operate and service this unit may result in serious injury or death.

This manual is free of charge. All personnel who operate or service the Punch Driver Set should have a copy of this manual and read and understand its contents. To request a copy, call or write to the address below.

**CURRENT TOOLS • P. O. BOX 17026 GREENVILLE, SC 29606
800.230.5421 or 864.244.1201 • FAX 864.244.5860
www.currenttools.com**



TABLE OF CONTENTS

Safety Alerts	2
Safety Information	3
Specifications	4
Operating Instructions	4-6
Set-Ups Diagram	7
Components List	8
Maintenance	8
Exploded View	9
Parts List	9



SAFETY ALERTS



Safety Alert Symbol

THIS SAFETY SYMBOL is used to call your attention to instructions that concern your personal safety. It means: ATTENTION! BE AWARE! THIS IS AN IMPORTANT SAFETY INSTRUCTION!

Read, understand and follow these safety instructions. Failure to follow these safety instructions may result in injury or death.



DANGER

Immediate hazards which, if not avoided, WILL result in serious personal injury or death.



WARNING

Hazards or unsafe practices which, if not avoided, COULD result in serious personal injury or death.



CAUTION

Hazards or unsafe practices which, if not avoided, COULD result in minor personal injury or property damage.

RETAIN SAFETY INFORMATION



This manual should be read and understood by all personnel who operate or service this Punch Driver. Failure to understand how to safely operate and service this unit could result in injury or death. This unit should only be operated or serviced by qualified personnel.



IMPORTANT SAFETY INFORMATION

Follow ALL safety information provided by the manufacturer.

- ⚠ DANGER** NEVER use the punch driver or any of its components near live circuits.
- ⚠ WARNING** DO NOT continue to operate punch driver after the punch is complete. Doing so could damage the punch driver and cause component failure resulting in serious injury or death.
- ⚠ WARNING** If the punch driver motion stops before the punching process is completed, DO NOT continue to operate the punch driver. Reverse the drill, disassemble the set-up and determine the cause before continuing.
- ⚠ WARNING** ALWAYS support the punch driver as the punch is completed. An unsupported punch driver could fall, causing injury.
- ⚠ WARNING** ALWAYS thread the punch COMPLETELY onto the draw stud to avoid thread failure. If the punch tightens before it is completely threaded onto the draw stud, disassemble the set-up and determine the cause. Then reassemble the set-up.
- ⚠ WARNING** NEVER attempt to exceed the punching capacity of this knockout set. Doing so may cause component failure and possibly serious injury or death.
- ⚠ WARNING** NEVER attempt to punch a hole through more than a single layer of material. Doing so may cause component failure and possibly serious injury or death.
- ⚠ WARNING** NEVER use this punch driver set or any of its components except for its intended purpose.
- ⚠ WARNING** A 1/2" cordless drill is sufficient to activate the punch driver. NEVER attempt to apply additional force to the punch driver. Doing so may cause component failure and possibly serious injury or death.
- ⚠ CAUTION** ALWAYS inspect every component of the punch set-up, including the punch driver, punch, die and draw stud, before each use. Replace any worn or defective parts with Current Tools replacement parts. NEVER use dull punches.
- ⚠ CAUTION** NEVER use any component that has worn or damaged threads.
- ⚠ CAUTION** ALWAYS check to ensure all components are properly assembled before punching.
- ⚠ CAUTION** ALWAYS be aware of pinch points while operating the punch driver. Keep hands away from punch and die during punching operation.
- ⚠ CAUTION** Be aware of moving draw shaft as it exits the end of the gearbox.
- ⚠ CAUTION** ALWAYS keep hair and loose clothing away from rotating or moving parts.
- ⚠ CAUTION** New punches are sharp. Be careful when handling them.
- ⚠ CAUTION** ALWAYS wear safety glasses when punching.

SPECIFICATIONS

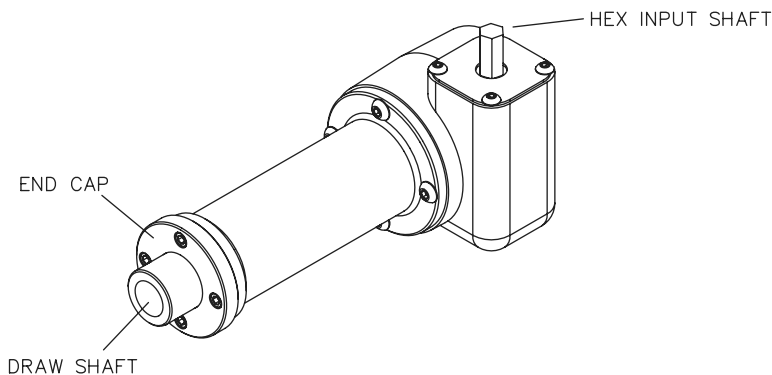
Model No. 162SS
Weight 20 lbs.
Capacity 1/2" to 2" conduit size holes in a maximum of 10 ga. (.134 thick) stainless steel

- Recommended Drill – (Provided by end user) – 1/2" cordless drill with a minimum of 18 volts.
- Current Tools™ Model 162SS Piece Maker™ SS is designed to split the slug into two pieces for easy removal from the die after punch completion. However, due to variations in the material to be punched, some slugs may not split into two pieces. These slugs will be distorted and easily removed from the die.
- Current Tools Punch Driver may be used with Greenlee®* Slug-Splitter®** and Slug Splitter SC™** punches, dies and draw studs.

* Greenlee is a registered trademark of Greenlee/Extron.

** Slug Splitter and Slug Splitter SC are registered trademarks of Greenlee/Extron

OPERATING INSTRUCTIONS



1. Match the punch, die, draw stud and spacer as required for the size hole to be punched. (See figures 1a and 1b on page 7).
2. After marking the hole location, drill a hole as indicated below.

<u>Conduit size</u>	<u>Required hole size</u>
1/2"	1/2"
3/4" thru 2"	7/8"

NOTE: Alternate Method for 3/4" thru 2" conduit sizes — Use the 1/2" punch and die to increase the hole size to accept the 3/4" draw stud (Part #1575).

3. Chuck the 3/8" nut driver (Part #163-14) into the cordless drill and slide onto the hex input shaft. Operate the punch driver until the draw shaft is flush with the end cap.

OPERATING INSTRUCTIONS *continued . . .*

4. **When using the 1/2" punch and die:** Thread the 3/4"-7/16" X 4 1/4" adapter draw stud (#1574) into the Punch Driver. Tighten the adapter draw stud using the screwdriver slot located at the end of the adapter draw stud.

When using 3/4" through 2" punch and dies: Thread the 3/4" X 5 1/2" draw stud (Part #1575) into the Punch Driver. Tighten the draw stud using the screwdriver slot located at the end of the draw stud.

Determine if spacer is needed and install. (See Spacer Chart below).

SPACER CHART	
Punch & Die Size	Spacer
1/2"	No spacer
3/4" thru 1 1/4"	S
1 1/2" – 2"	No spacer

5. Slide the die onto the draw stud with the open end of the die facing away from the punch driver.
6. Place the draw stud through the hole you drilled in step 2. Then thread the punch onto the draw stud with the cutting face toward the material to be punched. Thread the punch onto the draw stud until the punch and die are snug against the material.

WARNING

ALWAYS thread the punch COMPLETELY onto the draw stud to avoid thread failure. If the punch tightens before it is completely threaded onto the draw stud, disassemble the set-up and determine the cause. Then reassemble the set-up.

7. Complete the punching process by attaching the 1/2" cordless drill with nut driver (minimum 18 volts recommended) to the hex input shaft of the punch driver.
- Operate the drill in FORWARD to complete the punch.
 - After the punch is completed, run the drill in REVERSE until the draw shaft is at least flush with the end cap.
 - Unscrew the punch from the draw stud and remove the slug from the die.
 - After unloading the slug, return the draw shaft until it is flush with the end cap.

NOTE: Whether to operate your drill in low or high gear will be determined by hole size, thickness and type of material to be punched, battery strength and voltage of your drill.

 **WARNING**

- DO NOT continue to operate punch driver after the punch is complete. Doing so could damage the punch driver and cause component failure resulting in serious injury or death.
- If the punch driver motion stops before the punching process is completed, DO NOT continue to operate the punch driver. Reverse the drill, disassemble the set-up and determine the cause before continuing.
- ALWAYS support the punch driver as the punch is completed. An unsupported punch driver could fall, causing injury.

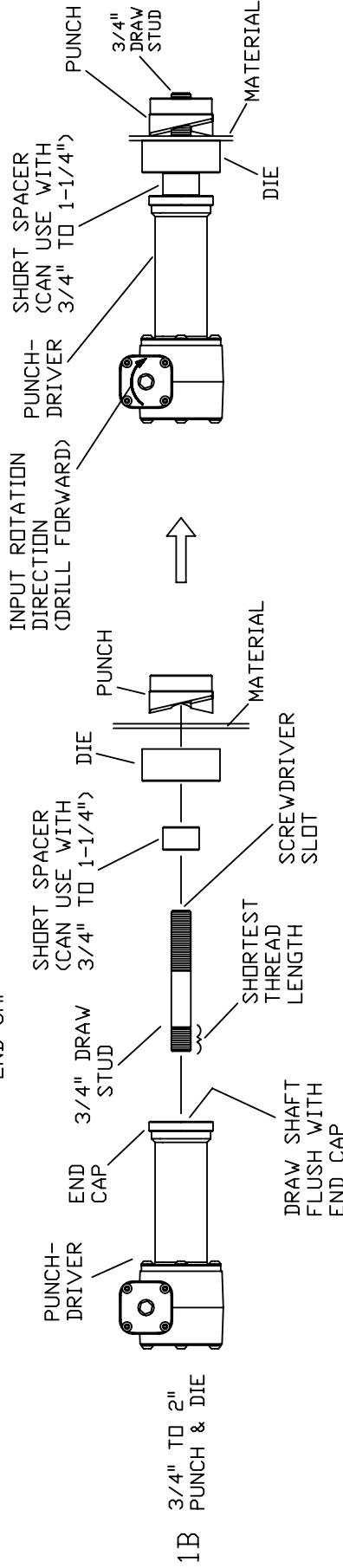
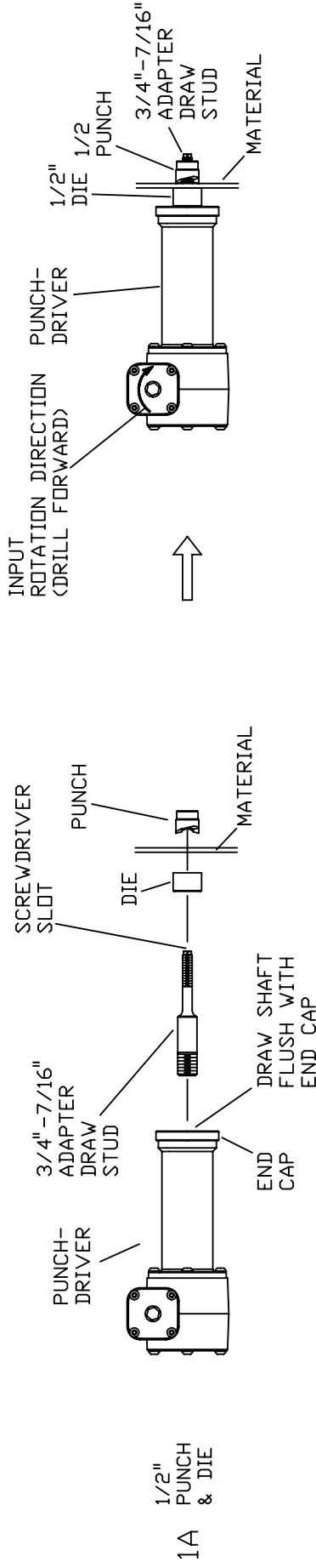
 **CAUTION**

ALWAYS be aware of pinch points while operating the punch driver. Keep hands away from punch and die during punching operation. Be aware of moving draw shaft as it exits the end of the gear box.

SET UPS

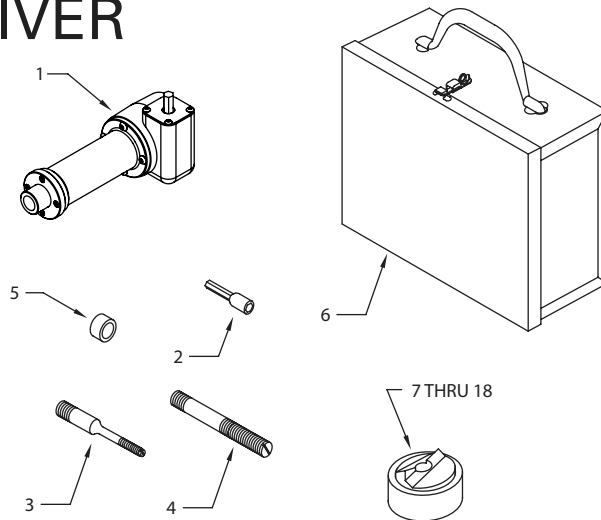
EXPLODED VIEW

COMPLETED VIEW



COMPONENTS

PUNCH DRIVER



COMPONENTS LIST

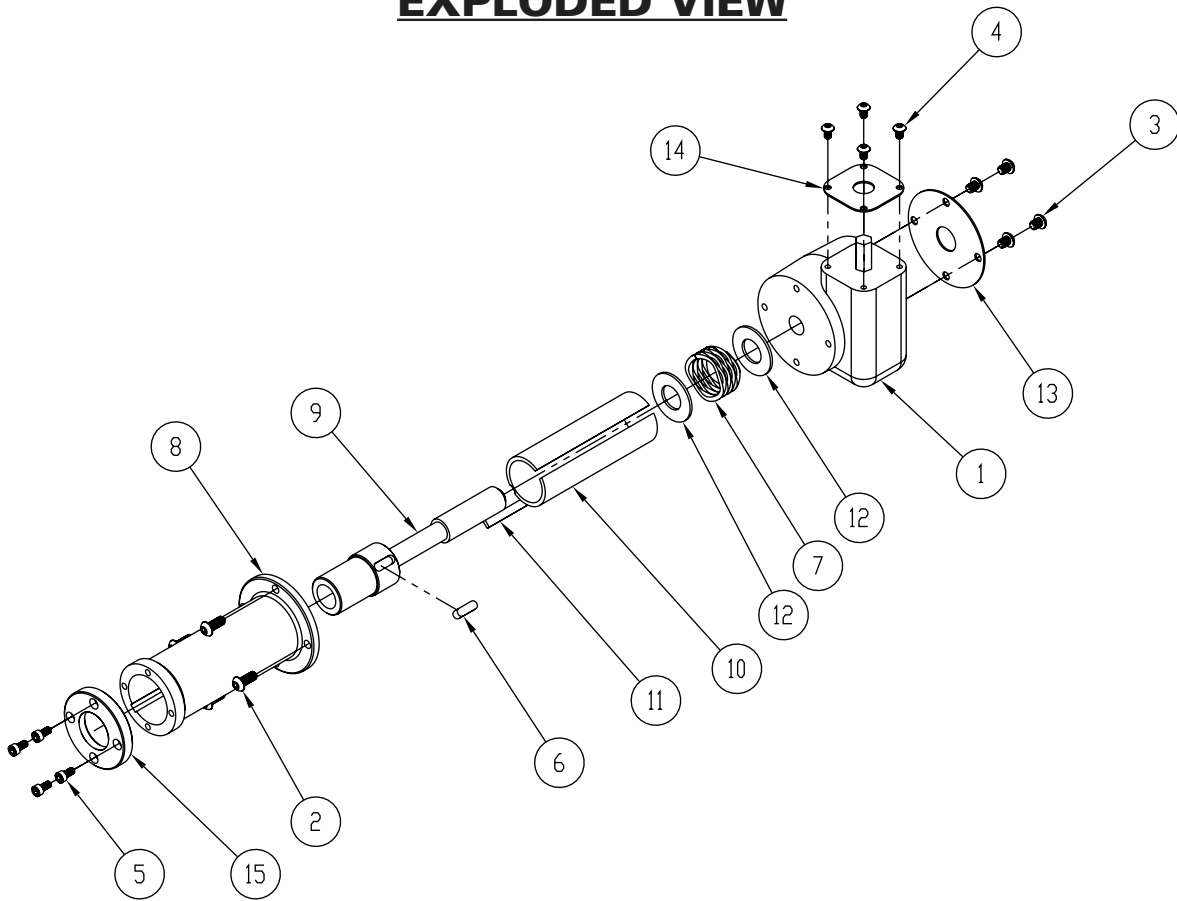
ITEM#	CATALOG#	DESCRIPTION	165	162SS 1/2" to 2"
1.....	165.....	Punch Driver	1	1
2.....	163-14.....	Nut Driver		1
3.....	1574.....	3/4"-7/16" x 4 1/4" SS Adapter Draw Stud.....		1
4.....	1575.....	3/4" x 5 1/2" SS Draw Stud.....		1
5.....	1553.....	Spacer - S.....		1
6.....	1505.....	Metal Case - 162SS		1
7.....	1536.....	1/2" SS Punch		1
8.....	1537.....	1/2" SS Die		1
9.....	1538.....	3/4" SS Punch		1
10.....	1539.....	3/4" SS Die.....		1
11.....	1542.....	1" SS Punch.....		1
12.....	1543.....	1" SS Die		1
13.....	1544.....	1 1/4" SS Punch		1
14.....	1545.....	1 1/4" SS Die.....		1
15.....	1546.....	1 1/2" SS Punch		1
16.....	1547.....	1 1/2" SS Die		1
17.....	1548.....	2" SS Punch.....		1
18.....	1549.....	2" SS Die		1

MAINTENANCE

- 1) The Model 165 Punch Driver gearbox is lubricated from the factory and should not require additional lubrication.
- 2) Monthly — Using a good quality MP grease, grease the acme threads on the draw shaft (see exploded view on page 9, Item #9).
- 3) Keep all components clean and free of any debris.

MODEL 165 PUNCH DRIVER

EXPLODED VIEW



PARTS LIST — Model 165 Punch Driver

<u>ITEM #</u>	<u>PART #</u>	<u>QTY</u>	<u>DESCRIPTION</u>
1	163-1	1	Gearbox
2	163-3	4	Screw-Button Head Socket (1/4-20 × 5/8")
3	163-10	4	Screw-Button Head Socket (1/4-20 × 5/16")
4	163-11	4	Screw-Button Head Socket (10-32 × 5/16")
5	163-12	4	Screw-Button Head Socket (10-32 × 3/8")
6	163-13	1	Key 1/4" × 3/4"
7	163-15	1	Wave Spring
8	165-101	1	Housing – Draw Shaft
9	165-102	1	Draw Shaft
10	165-103	1	Bushing – Housing
11	165-104	1	Key
12	165-105	2	Washer
13	165-106	1	Cover – Bottom
14	163-635	1	Cover – Input
15	163-665	1	Cap – Nose