



BENDING

747 Omni™ Bender

- Only two shoes needed to bend 1/2" to 2" Rigid, EMT and IMC conduit. Optional shoe group bends 1/2" to 2" 40 mil PVC coated Rigid conduit
- Proven electrical control system
- All major electrical components are interchangeable with Model #77 Series Electric Bender
- Adjustable bend angle limit switch for accurate repeat bends
- Tilts for horizontal bending in a tabletop position
- Quick squeeze adjustment for conduit support rollers
- Fork pockets for easy lifting
- Lockable storage box for accessories
- Flat free wheels
- Made in the USA



To bend 1/2" thru 2" EMT, IMC, Rigid, Rigid Aluminum and schedule 40 steel pipe. Can also bend 1/2" thru 2" 40 mil PVC coated Rigid conduit with optional shoe group.

Scan here for video Scan here for manual



Catalog Number	Description	Weight	
747	Omni™ Bender	615 lbs.	UPC 811993020438



Current Tools
FOR THE PROFESSIONAL ELECTRICIAN

www.currenttools.com

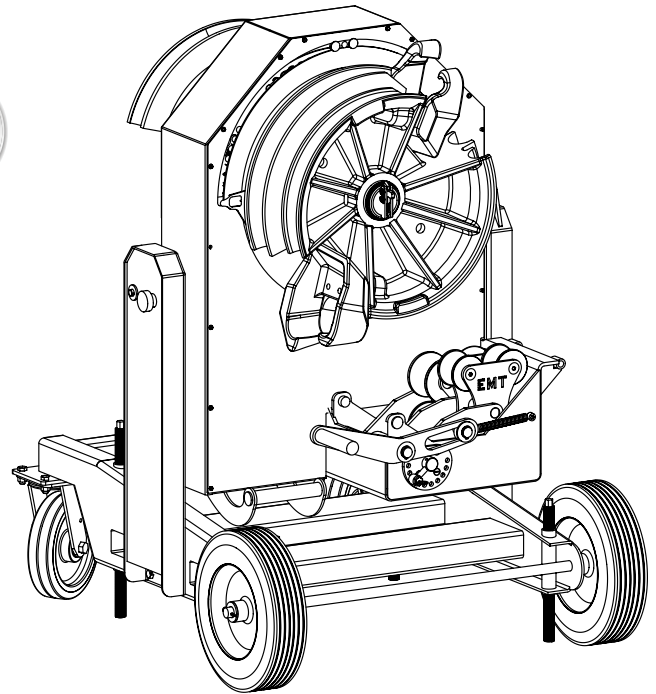
P.O. Box 17026 • Greenville, SC 29606 • 864.721.4230 • fax 864.721.4232 • 800.230.5421



747 Omni™ Bender

SPECIFICATIONS

- 1/2" thru 2" Rigid conduit
- 1/2" thru 2" EMT conduit
- 1/2" thru 2" IMC conduit
- 1/2" thru 2" Rigid aluminum conduit
- 1/2" thru 2" schedule 40 steel pipe
- 1/2" thru 2" 40 mil PVC coated Rigid conduit — with optional shoe group (shown below)



Bend Radius Chart

Size	EMT	IMC	Rigid	PVC
1/2"	4-5/16"	4-1/4"	4-1/4"	4-1/4"
3/4"	5-1/2"	5-7/16"	5-7/16"	5-7/16"
1"	7"	6-15/16"	6-15/16"	6-15/16"
1 1/4"	8-13/16"	8-3/4"	8-3/4"	8-3/4"
1 1/2"	8-3/8"	8-1/4"	8-1/4"	8-1/4"
2"	9-1/4"	9"	9"	9"

Power Source

120 vac; 20 amp
GFCI protected
receptacle required

Dimensions

height	45 1/4"
width	32 1/2"
length	44"
weight	615 lbs (with shoes)

747 PVC Coated Rigid Shoe Group



700SP-7 40 Mil PVC Coated Rigid Shoe Group — UPC 811993025556

Item Number	Catalog Number	Description	Weight	
1	2-3200-7	PVC Coated Rigid 1/2" – 2" Shoe	47 lbs.	UPC 811993025983
2	2-4300-7	1/2" – 2" 40 Mil PVC Coated Rigid Roller Support	16 lbs.	UPC 811993025549
3	8-0501	Metal Storage Box 23" length x 17" height x 20" depth	36 lbs.	UPC 811993020438