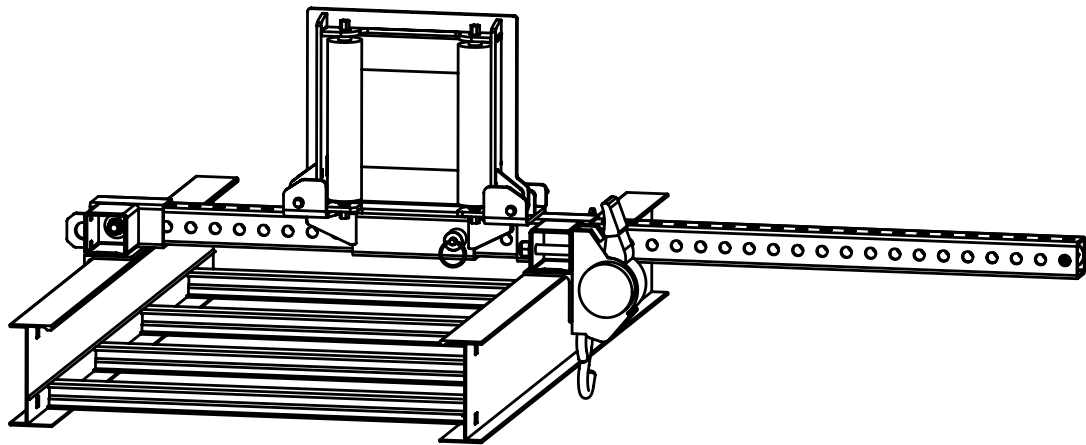




Current Tools

FOR THE PROFESSIONAL ELECTRICIAN

Model 9544CR Cross Cable Tray Roller



Operating, Safety and Parts Manual

03/21



Read and understand this material before operating or servicing this tray roller. Failure to understand how to safely operate and service this sheave may result in serious injury or death.

This manual is free of charge. All personnel who operate this cross cable tray roller should have a copy of this manual and read and understand its contents. To obtain a copy, call, write to the address below, or visit our website. All information, specifications and product designs may change due to design improvements or updates and are subject to change without notice. Current Tools does not assume any liability for damages resulting from misuse or incorrect application of its products.

**CURRENT TOOLS • P. O. BOX 17026 GREENVILLE, SC 29606
800.230.5421 or 864.721-4230 • FAX 864.721.4232
www.currenttools.com**

TABLE OF CONTENTS

<i>Safety Alerts</i>	2
<i>Safety Information</i>	3
<i>Specifications</i>	4
<i>Typical Installation</i>	4
<i>Installation and Use Instructions</i>	4-6
<i>Exploded View and Parts List</i>	7

SAFETY ALERTS



Safety Alert Symbol

THIS SAFETY SYMBOL is used to call your attention to instructions that concern your personal safety. It means: ATTENTION! BE AWARE! THIS IS AN IMPORTANT SAFETY INSTRUCTION!

Read, understand and follow these safety instructions. Failure to follow these safety instructions may result in injury or death.



DANGER

Immediate hazards which, if not avoided, WILL result in serious personal injury or death.



WARNING

Hazards or unsafe practices which, if not avoided, COULD result in serious personal injury or death.



CAUTION

Hazards or unsafe practices which, if not avoided, COULD result in minor personal injury or property damage.

RETAIN SAFETY INFORMATION



This manual should be read and understood by all personnel who operate this cross cable tray roller. Failure to understand how to safely operate and service this unit could result in injury or death. This unit should only be operated or serviced by qualified personnel.



IMPORTANT SAFETY INFORMATION

Follow ALL safety information provided by the manufacturer.

WARNING

Read and understand the cable manufacturer's and the cable tray manufacturer's specifications and instructions when pulling cable in tray.

WARNING

Be aware that a cable puller may exert up to **twice** its rated capacity on any component in the pulling set-up.

WARNING

ALWAYS inspect the structural integrity of any anchoring system that will hold the cross cable tray roller during the pull. These supports should be able to withstand **twice** the maximum pulling force of the cable puller.

WARNING

Rope or cable must ALWAYS be pulled over a rotating sheave or roller. If a sheave or roller does not rotate, turn cable puller off immediately and determine the cause before continuing pull.

WARNING

All instructions and safety information supplied with the cable puller must be read and understood. Failure to understand how to safely operate and service the cable puller could result in serious injury or death.

WARNING

Cross cable tray rollers are for use in cable pulling only. DO NOT use for lifting personnel or equipment. Failure to observe this warning could result in serious injury or death.

WARNING

ALWAYS wear safety glasses and hard hat. Failure to wear eye protection or hard hat could result in eye injury from flying debris or severe injury or death.

CAUTION

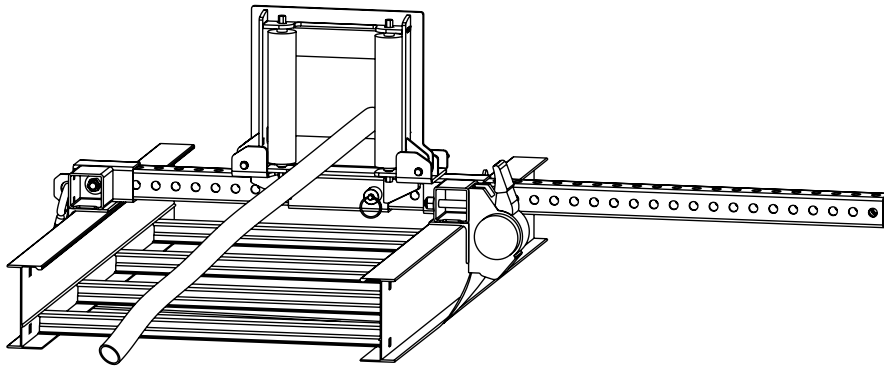
ALWAYS keep the cross cable tray roller under control when installing or removing. A cross cable tray roller not under control could fall and injure personnel in the area.

SPECIFICATIONS – 9544CR

Model Number	9544CR
Tray Type	Non basket-style cable tray
Capacity	200 lbs.
Weight	20 lbs.

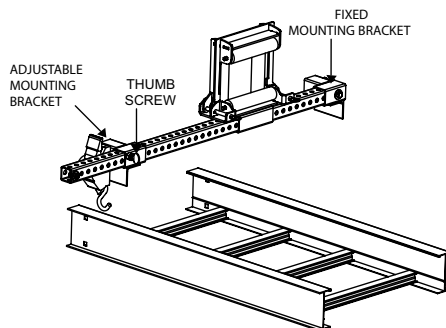
TYPICAL INSTALLATION

The model 9544CR cross cable tray roller is designed to easily install and remove from cable tray and provide low friction wire pulling. This unit installs across the top of the cable tray and allows for unloading of the cable or wire bundle after the pull is completed.

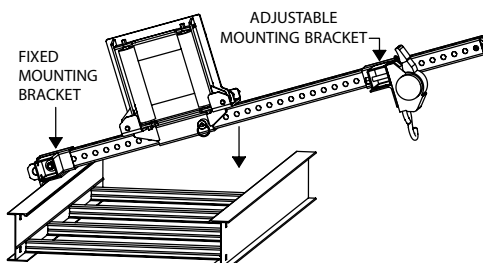


INSTALLATION AND USE INSTRUCTIONS

1. Loosen the thumb screw on the adjustable mounting bracket and position both the adjustable mounting bracket and fixed mounting bracket so that they are just wider than the cable tray.



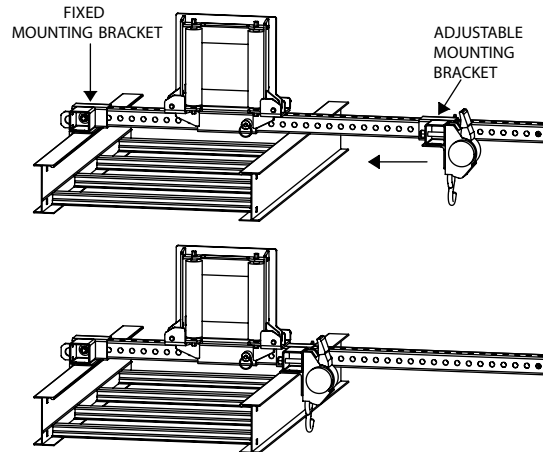
2. Place the Cross Cable Tray Roller onto the cable tray, ensuring that both mounting brackets are on the outside of the cable tray rails.



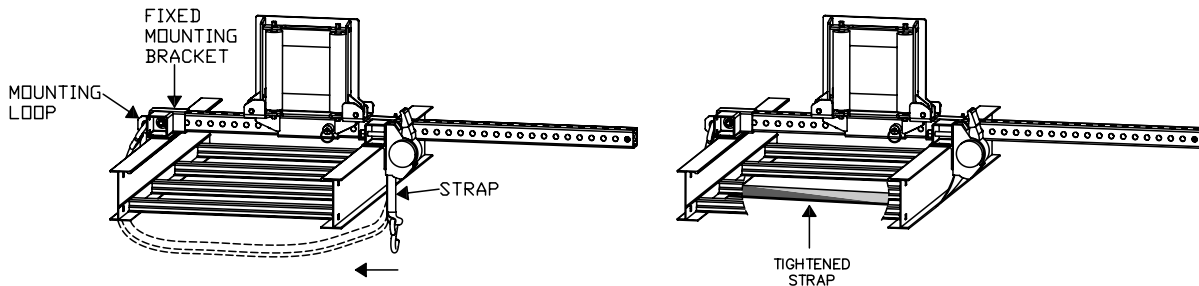


INSTALLATION AND USE INSTRUCTIONS — CONTINUED

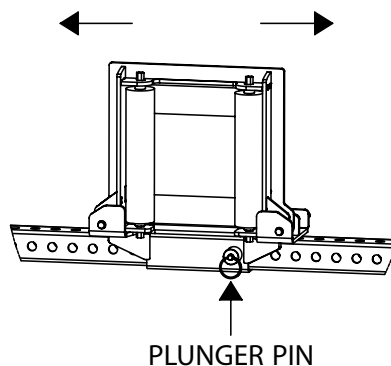
- Slide the adjustable mounting bracket towards the cable tray until both brackets are snug against the rails.



- Tighten the thumb screw on the adjustable mounting bracket. Release the ratchet and pull the strap underneath the cable tray. Attach the strap end to the mounting loop on the fixed mounting bracket and use the ratchet to tighten the strap.



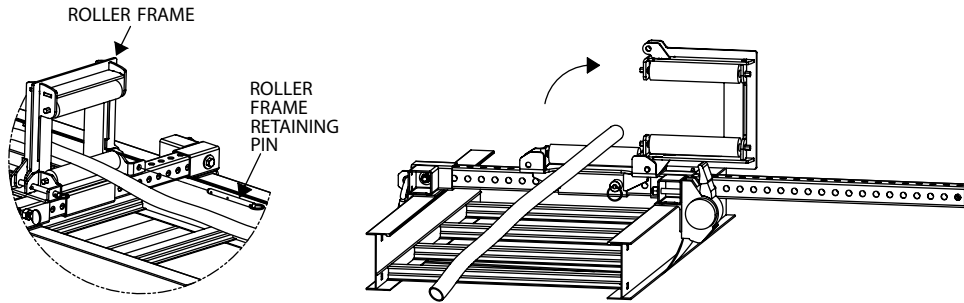
- Adjust the position of the 4 sided rollers by pulling the spring loaded plunger pin out and sliding the roller frame to the desired position. Ensure that the pin engages one of the holes in the perforated tube when released. You are now able to pull cable.



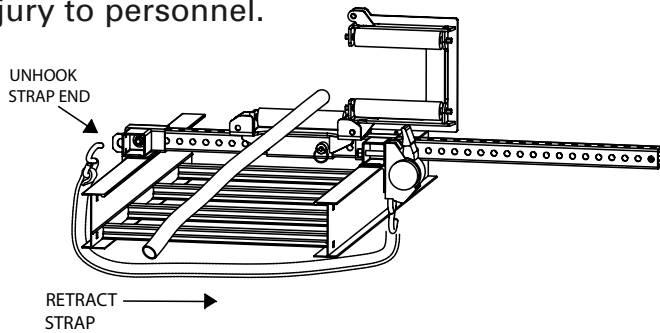


To Unload Cable

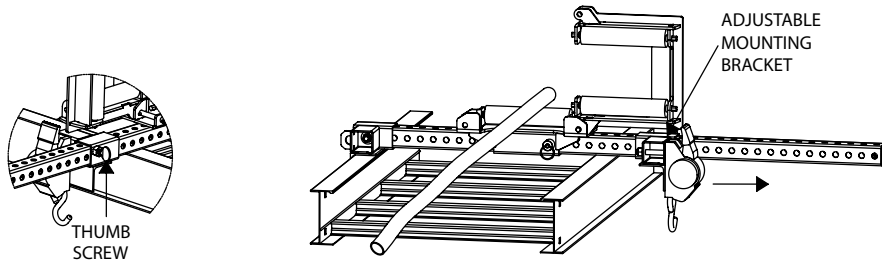
1. Pull the desired roller frame retaining pin and rotate the frame to the open position. NOTE: The desired open position will be determined by which end of the Cross Cable Tray Roller you will be unloading the cable from.



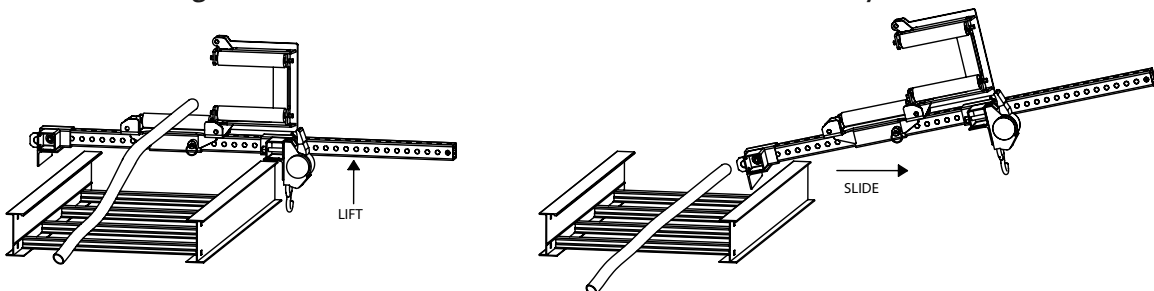
2. Release the strap and remove the strap end from the mounting loop, allowing the strap to fully retract. NOTE: Be sure to keep the strap under control when retracting as an uncontrolled strap can cause injury to personnel.



3. Loosen the thumb screw on the adjustable mounting bracket and slide the bracket away from the cable tray rail.



4. Lift and slide the Cross Cable Tray Roller towards the operator, allowing the cable or wire bundle to fall into the tray.





EXPLODED VIEW



PARTS LIST — 9544CR

