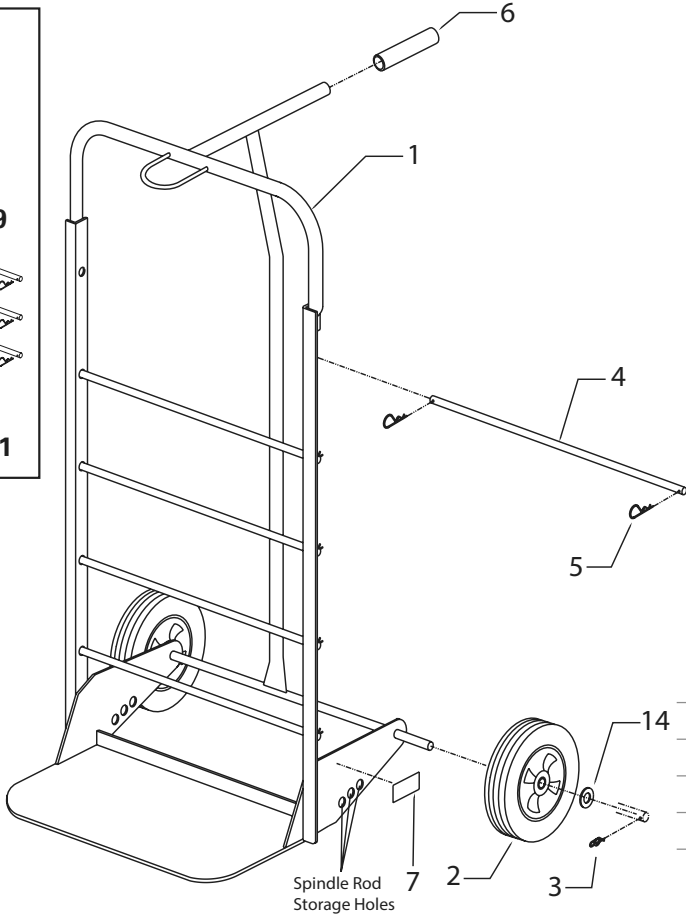
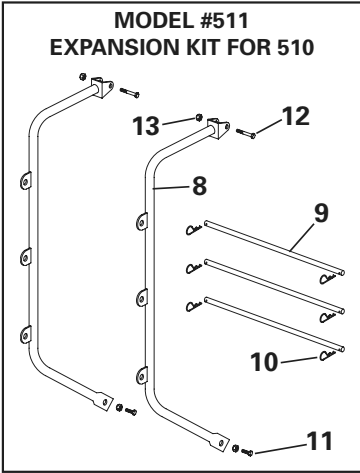


Model 510 Reel Truck



CAUTION
Only roll on a firm, flat, smooth surface.

NOTE: Reel Truck should be used in a horizontal position for optimum stability when dispensing wire.

SPOOL CAPACITY:

Spool Diameter	Spool Width	Model 510 Maximum # of Spools	w/511 Expansion Kit Maximum # of Spools
7"	5 ³ / ₈ "	15	24
7"	8"	10	16
12"	16 ³ / ₈ "	3	5
14"	16 ³ / ₈ "	3	3
22"	16 ³ / ₈ "	2	2

INSTRUCTION SHEET AND PARTS LIST

PARTS LIST — 510 WIRE TREE

ITEM#	PART#	QTY	DESCRIPTION
1	510-553	1	FRAME
2	510-2	2	WHEEL
3	510-1	2	RUE RING
4	510-551	5	SPINDLE ROD
5	33-36	10	SPRING CLUP
6	140-7	1	GRIP
7	510-DECAL	1	DECAL

PARTS LIST — 511 EXPANSION KIT FOR 510

ITEM#	PART#	QTY	DESCRIPTION
8	511-WELDMENT	2	TUBE WELDMENT
9	510-551	3	SPINDLE ROD
10	33-36	6	SPRING CLIP
11	77-002D1	2	SCREW, HEX HEAD CAP, 5/16-18x3/4"
12	77-025A	2	SCREW, HEX HEAD CAP, 5/16-18x3/4"
13	2-1301-4	4	NUT, HEX, 5/16-18, NYLON INSERT
14	77-017	2	WASHER — FLAT, 3/4"

Read and understand this material before operating the Reel Truck. Failure to understand how to safely operate this Reel Truck may result in injury or property damage.

This manual is free of charge. All personnel who operate the Reel Truck should have a copy of this manual and read and understand its contents. To request a copy, call or write to the address below. All information, specifications and product designs may change due to design improvements or updates and are subject to change without notice. Current Tools does not assume any liability for damages resulting from misuse or incorrect application of its products.