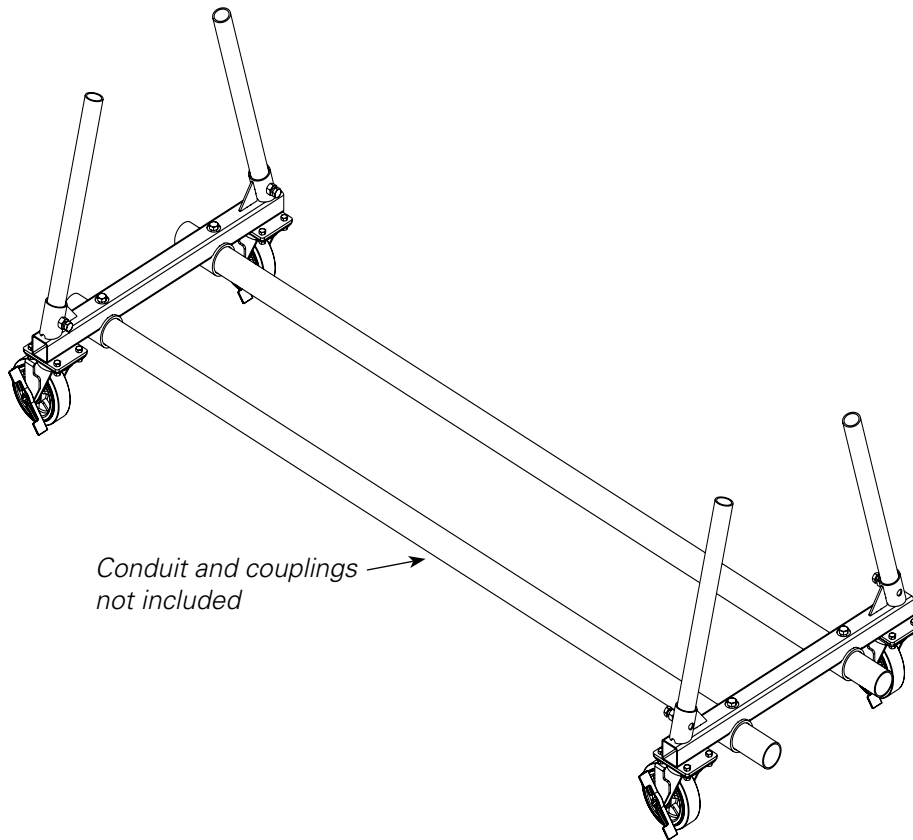




Current Tools

FOR THE PROFESSIONAL ELECTRICIAN

Model #285 Mobile Conversion Kit for use with Models #281 and #280 Bending Tables



Conduit and couplings
not included

Assembly, Operating, Safety and Parts Manual

10/2022



Read and understand this material before assembling, operating or servicing the 285 Mobile Conversion Kit. Failure to understand how to safely assemble and operate this equipment may result in serious injury or death.

This manual is free of charge. All personnel who assemble, operate or service this equipment should have a copy of this manual and read and understand its contents. To request a copy, call or write to the address below. All information, specifications and product designs may change due to design improvements or updates and are subject to change without notice. Current Tools does not assume any liability for damages resulting from misuse or incorrect application of its products.

**CURRENTTOOLS • P. O. BOX 17026 GREENVILLE, SC 29606
800.230.5421 or 864.721.4230 • FAX 864.721.4232
www.currenttools.com**

TABLE OF CONTENTS — 285 MOBILE CONVERSION KIT

Safety Alerts.....2
Important Safety Information3
Exploded Views & Parts List — Cross Member.....4
Assembly Instructions 5-7

RETAIN SAFETY INFORMATION



This manual should be read and understood by all personnel who assemble, operate or service this conversion kit. Failure to understand how to safely assemble and operate this unit could result in injury or death. This conversion kit should only be assembled, operated and serviced by qualified personnel.

IMPORTANT

Refer to the Current Tools Model #281 or #280 Bending Table Assembly, Operating, Maintenance, Safety and Parts Manual for complete assembly instructions.

When using the 285 Mobile Conversion Kit with Greenlee® 1802 or 1813 Bending Table, read and understand the manufacturer's operating and safety instructions before attaching to or operating with the 285 Mobile Conversion Kit. Failure to do so may result in serious injury or death.

SAFETY ALERTS



Safety Alert Symbol

THIS SAFETY SYMBOL is used to call your attention to instructions that concern your personal safety. It means: ATTENTION! BE AWARE! THIS IS AN IMPORTANT SAFETY INSTRUCTION!

Read, understand and follow these safety instructions. Failure to follow these safety instructions may result in injury or death.

** Greenlee® and CamTrack® are registered trademarks of Emerson Electric Co. , which has no affiliation with Current Tools.*

DANGER

Immediate hazards which, if not avoided, WILL result in serious personal injury or death.

WARNING

Hazards or unsafe practices which, if not avoided, COULD result in serious personal injury or death.

CAUTION

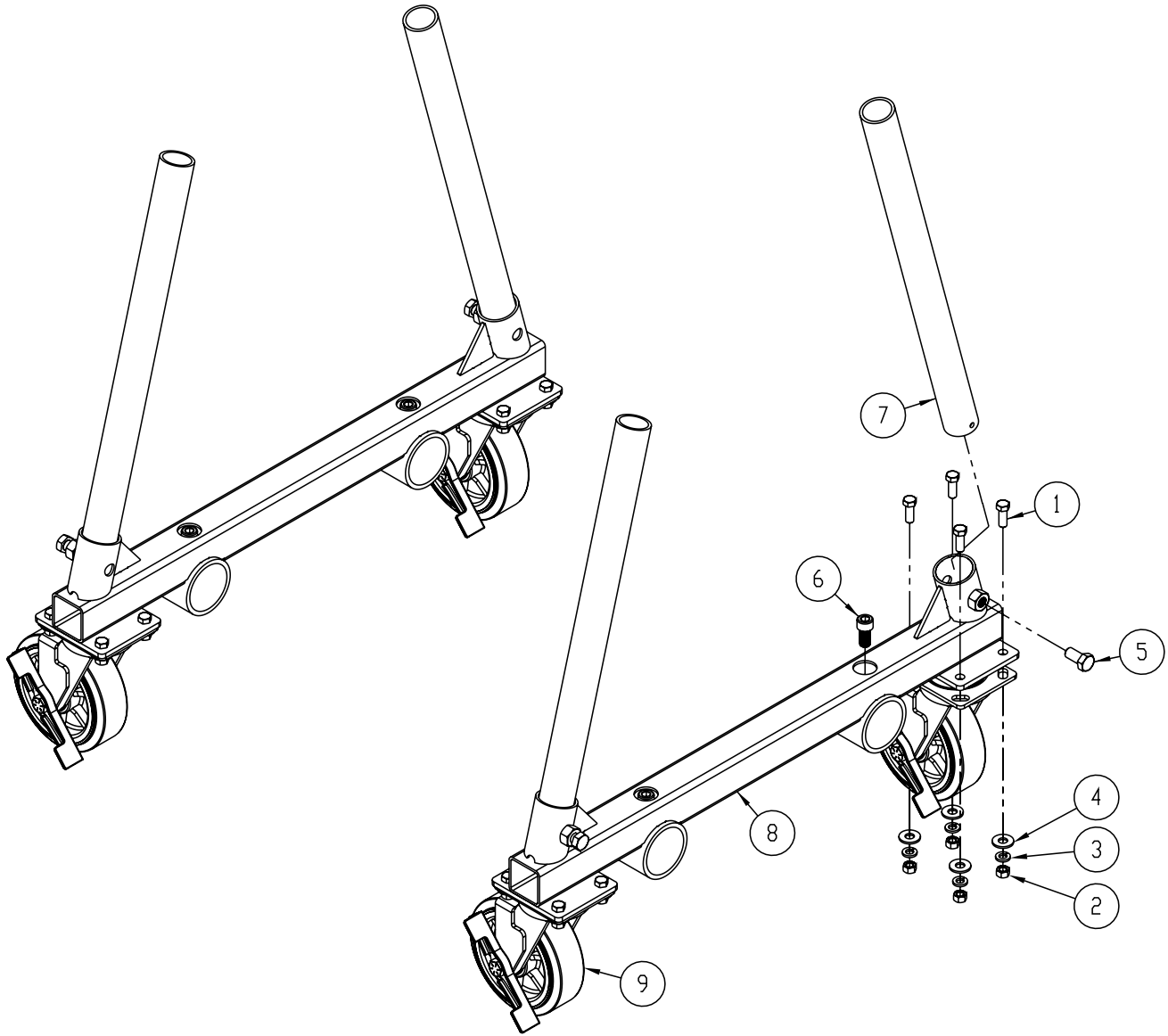
Hazards or unsafe practices which, if not avoided, COULD result in minor personal injury or property damage.



IMPORTANT SAFETY INFORMATION

- ▲ WARNING** ONLY use the Mobile Bending Table on a firm, flat smooth surface capable of supporting the weight of the table, bender and shoe group being used.
- ▲ WARNING** ALWAYS remove all bender components from the Mobile Bending Table before transporting the table.
- ▲ WARNING** NEVER alter this equipment. Doing so will void the warranty.
- ▲ WARNING** ALWAYS keep hands and feet away from pinch points such as bending shoes, follow bars, saddles, conduit and other moving parts.
- ▲ WARNING** ALWAYS keep bender components under control when rolling or using the mobile bending table.
- ▲ WARNING** ONLY roll on a firm, flat, smooth surface.
- ▲ WARNING** User supplied conduit must ONLY be 2" Rigid conduit.
- ▲ CAUTION** NEVER sit, ride or stand on the mobile bending table.
- ▲ CAUTION** ONLY use the mobile conversion kit for its intended purpose as specified in this manual.
- ▲ CAUTION** Screw conduit couplings onto ALL 4 ends of the 2" Rigid conduit used as crossmember supports.

EXPLODED VIEW – 285 CROSS MEMBER



PARTS LIST – 285 CROSS MEMBER

ITEM	PART #	DESCRIPTION	QTY.
1	524-11	SCREW – HX HD CAP, 3/8-16 × 1"	16
2	452-28	NUT – HEX, 3/8-16	16
3	452-27	WASHER – LOCK 3/8	16
4	506-3	WASHER – FLAT 3/8	16
5	8092-2	SCREW – HX HD CAP, 1/2-13 × 1"	4
6	2-2202-2	SCREW – SKT HD CAP, 1/2-13 × 1"	4
7	285-106	LEG	4
8	285-101	CROSSMEMBER	2
9	513-001	CASTER – SWIVEL	4

NOTE: Two each 10' lengths of 2" Rigid conduit used as the crossmember supports and the 4 conduit couplings are to be supplied by the user.

ASSEMBLY INSTRUCTIONS

NOTE: For use with CurrentTools Model #281 or #280 Bending Table. Can also be used with Greenlee® Model #1813 or #1802 Bending Table.*

NOTE: Some assembly will require 2 people.

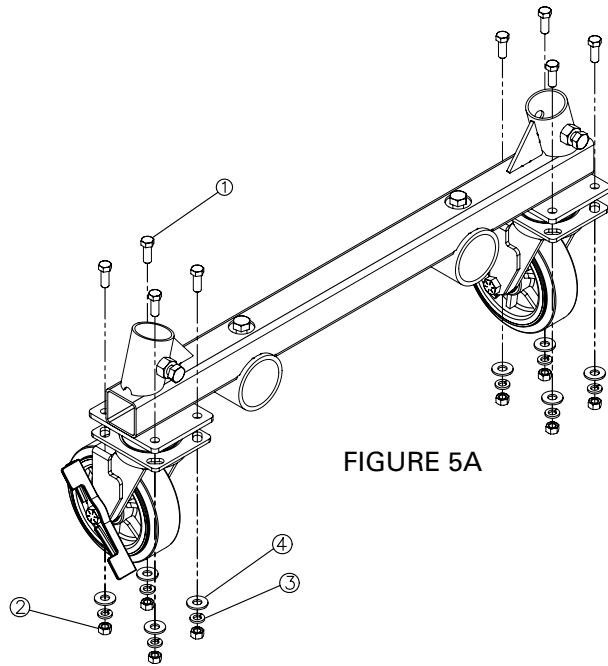


FIGURE 5A

1. Assemble the two swivel casters onto the crossmember base with the correct hardware as shown in Figure 5A. Repeat for the second crossmember.

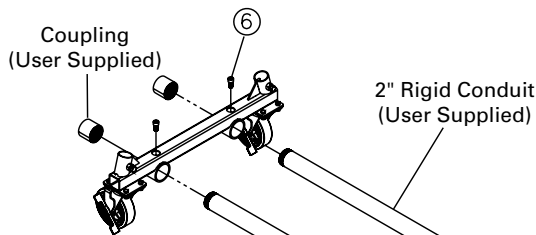
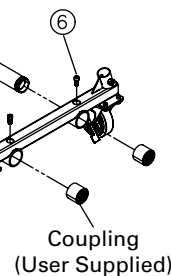


FIGURE 5B

2. Insert two 10' sections of 2" Rigid conduit (user supplied) into the crossmember receiver tubes on one of the crossmembers, making sure to extend the tubes past flush at least two inches on the back side. Screw a coupling onto each piece of conduit. Insert and tighten socket head cap screws (#6) to secure the conduit. See Figure 5B.



FIGURE 5C



3. Insert conduit through the receiver tubes on the second crossmember, making sure to extend the tubes past flush at least two inches on the back side. Screw a coupling onto each piece of conduit. Insert and tighten socket head cap screws (#6) to secure the conduit. See Figure 5C.

*Greenlee® is a registered trademark of Emerson Electric Co.

4. Insert the four legs supplied with the Mobile Conversion Kit into the leg receiver tubes on the crossmembers. Insert the hex head cap screws (#5) but **DO NOT** tighten. See Figure 6A.

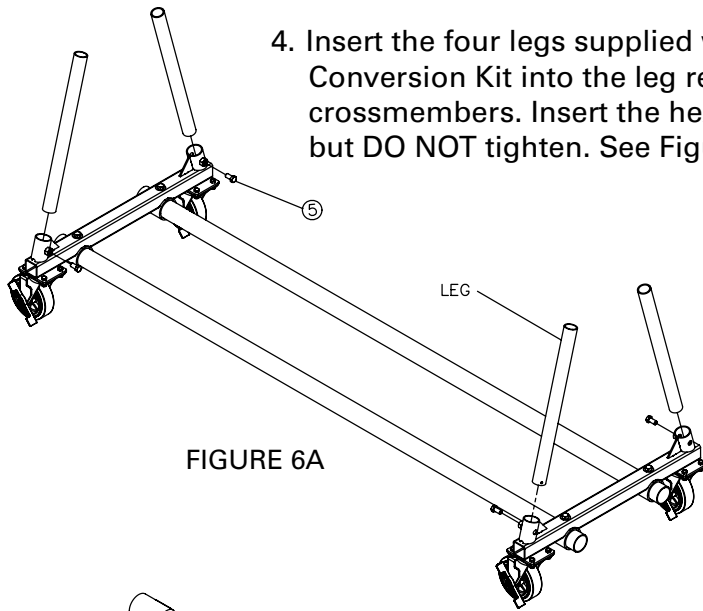


FIGURE 6A

NOTE: When using the 285 Mobile Conversion Kit, you **MUST** use the 4 legs that come with the kit. **DO NOT** use the legs supplied with your bending table.

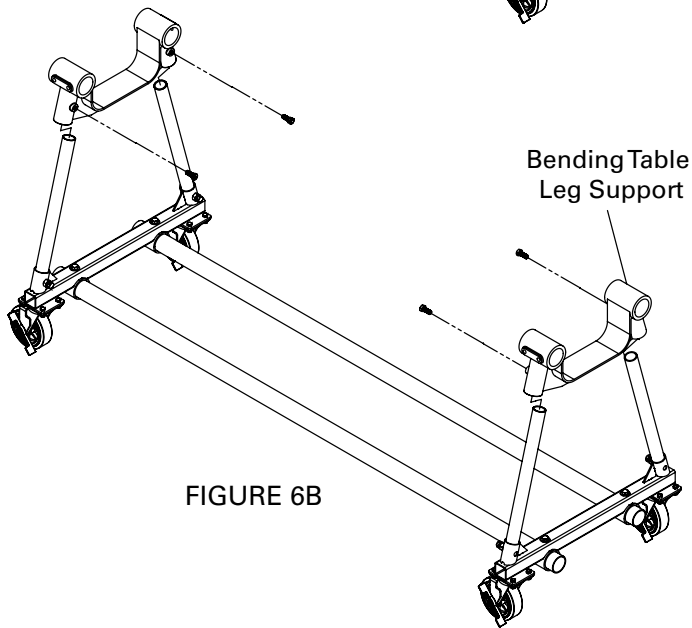


FIGURE 6B

- (1) Lock the brakes on all four casters of the Mobile Conversion Kit.
- (2) Insert the legs of the Mobile Conversion Kit into the leg supports from your bending table as shown in Figure 6B. **DO NOT** tighten any bolts at this time.

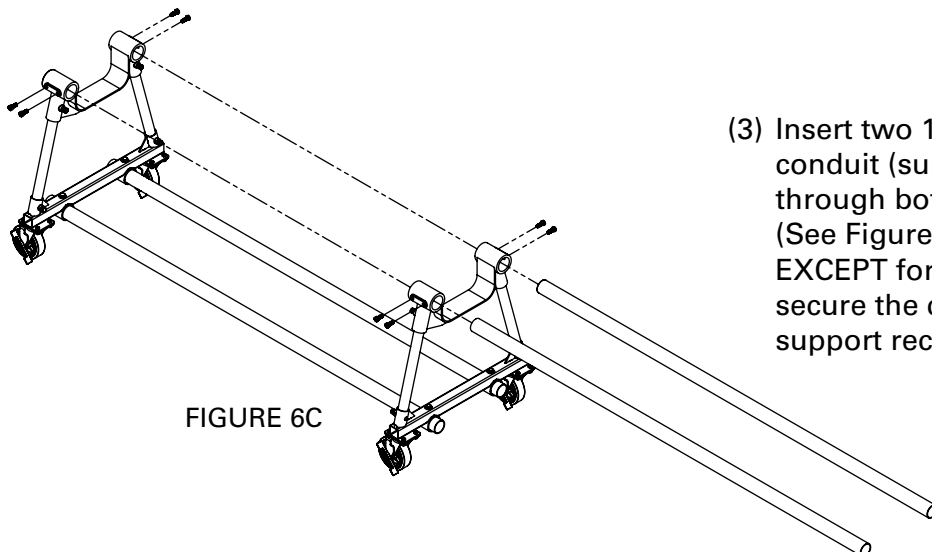
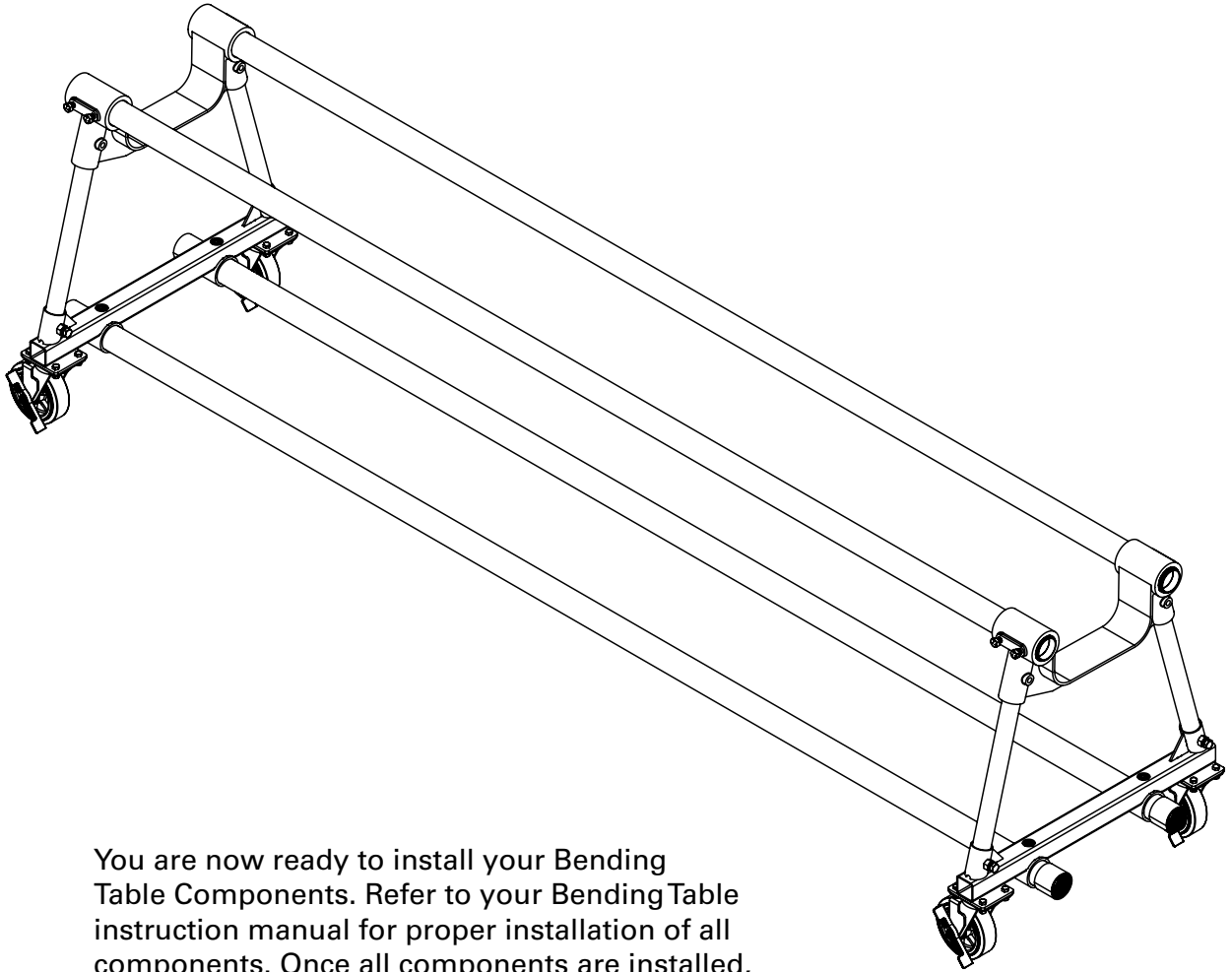


FIGURE 6C

- (3) Insert two 10' pieces of 2" Rigid conduit (supplied by the user) through both of the leg supports (See Figure 6C). Tighten all bolts **EXCEPT** for the 8 bolts used to secure the conduit inside the leg support receiver tubes.



You are now ready to install your Bending Table Components. Refer to your Bending Table instruction manual for proper installation of all components. Once all components are installed, ensure that all bolts are tightened.