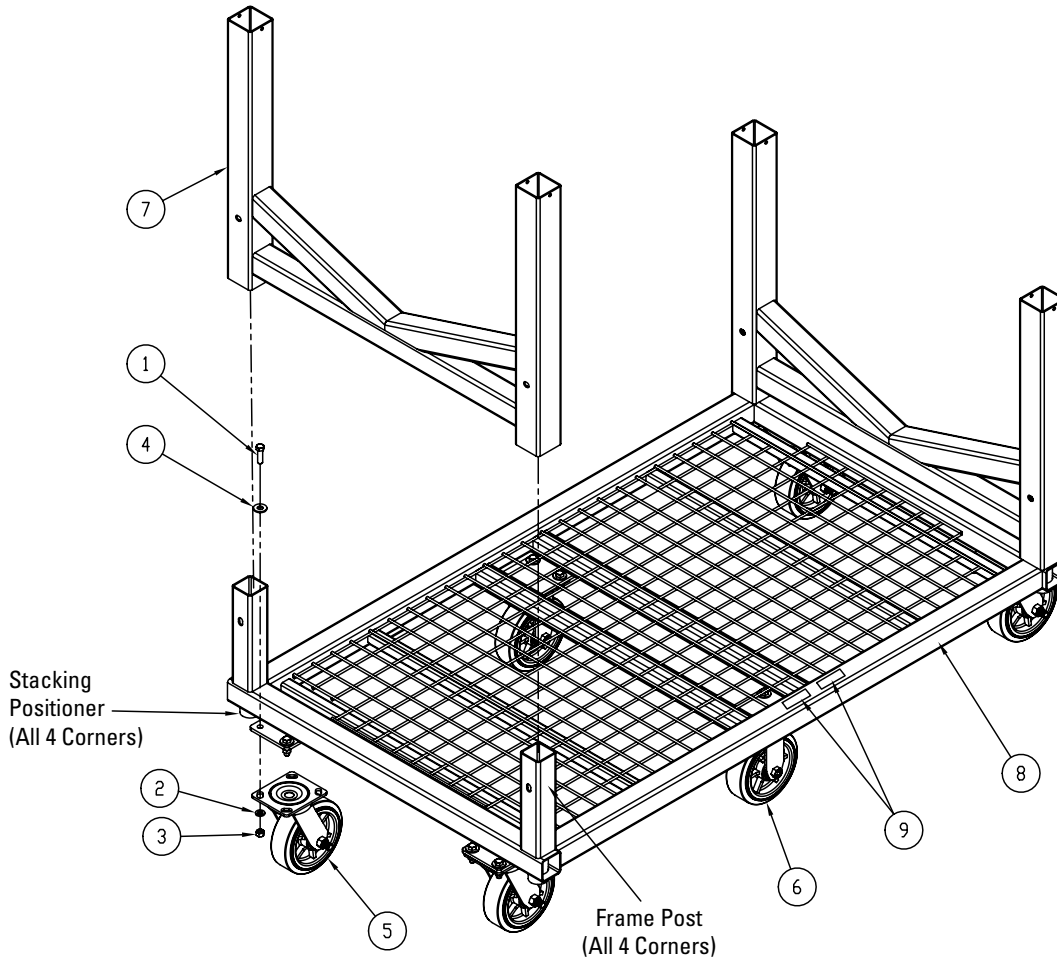




Current Tools

FOR THE PROFESSIONAL ELECTRICIAN

Model 516 Conduit/Material Cart



CAPACITY:
Maximum 2,000 lbs.
Evenly distributed.

CAUTION

- Only roll on a firm, flat, smooth surface.

NOTE: Empty conduit/material carts may be stacked for transport using the stacking positioners aligned with the frame posts. Remove both end supports before stacking carts.

INSTRUCTION SHEET AND PARTS LIST

PARTS LIST — 516 CONDUIT/MATERIAL CART

| ITEM# | PART# | QTY | DESCRIPTION |
|-------|--------|-----|--------------------------------|
| 1 | 281-2D | 24 | SCREW – HX HD CAP 3/8-16 x 1¼" |
| 2 | 452-27 | 24 | WASHER – LOCK 3/8 |
| 3 | 452-28 | 24 | NUT – HEX 3/8-16 |
| 4 | 506-3 | 24 | WASHER – FLAT 3/8 |

| ITEM# | PART# | QTY | DESCRIPTION |
|-------|-----------|-----|-----------------|
| 5 | 5080-004 | 4 | CASTER – SWIVEL |
| 6 | 5080-002 | 2 | CASTER – FIXED |
| 7 | 516-101 | 2 | END SUPPORT |
| 8 | 5080-120 | 1 | BASE |
| 9 | 516-DECAL | 1 | DECAL SET |



Read and understand this material before operating the Conduit/Material Cart. Failure to understand how to safely operate this Conduit/Material Cart may result in injury or property damage.

This manual is free of charge. All personnel who operate the Conduit/Material Cart should have a copy of this manual and read and understand its contents. To request a copy, call or write to the address below. All information, specifications and product designs may change due to design improvements or updates and are subject to change without notice. Current Tools does not assume any liability for damages resulting from misuse or incorrect application of its products.

CURRENT TOOLS • P. O. BOX 17026 GREENVILLE, SC 29606
800.230.5421 or 864.721.4230 • FAX 864.721.4232 • www.currenttools.com