



# BENDING

## 77 Series Electric Bender with Multi-Shoe Groups

- Rugged and dependable electrical system
- Easy to maintain and service
- Removable handle to allow for dogleg bends
- Two year warranty
- No PC boards
- Simple, reliable electrical components
- All major electrical components are interchangeable with Model #747 Omni™ Bender
- Flat free wheels
- Made in the USA



Scan here for manual



Catalog Number	Description	Weight	
77	Electric Bender Power Source only (no shoes)	270 lbs.	UPC 811993020261
77RIG	77 Series 1/2" to 2" Rigid Multi-Shoe Bender	344 lbs.	UPC 811993020278
77EMT	77 Series 1/2" to 2" EMT Multi-Shoe Bender	394 lbs.	UPC 811993020285
77IMC	77 Series 1 1/2" to 2" IMC Multi-Shoe Bender	361 lbs.	UPC 811993020292
77PVC	77 Series 1/2" to 2" 40 mil PVC Coated Rigid Multi-Shoe Bender	344 lbs.	UPC 811993020308



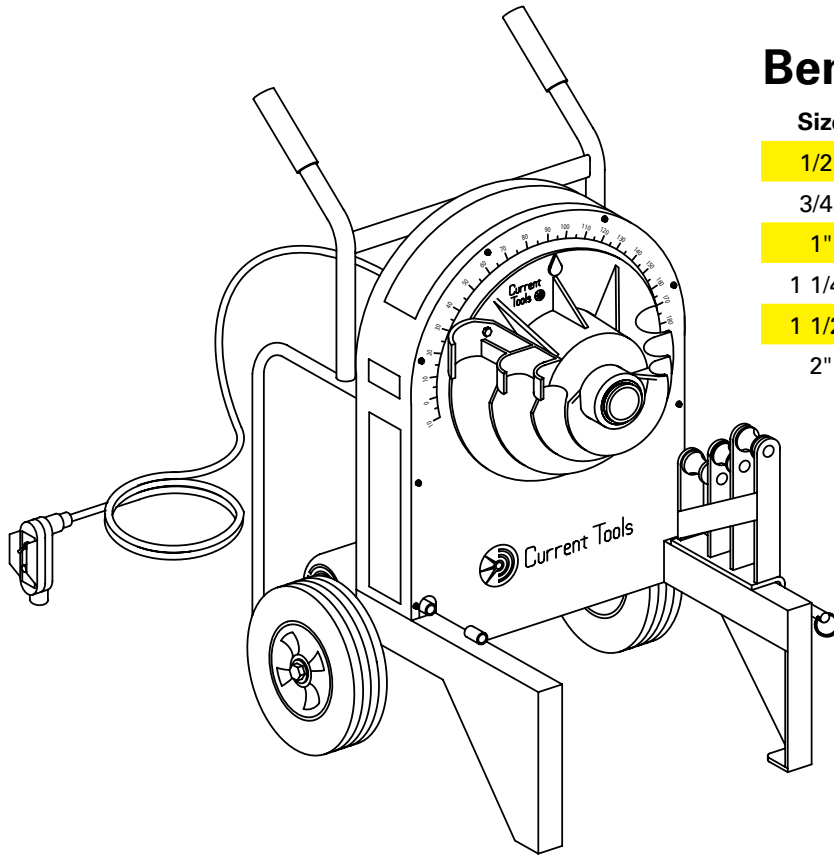
**Current Tools**  
FOR THE PROFESSIONAL ELECTRICIAN

[www.currenttools.com](http://www.currenttools.com)

P.O. Box 17026 • Greenville, SC 29606 • 864.721.4230 • fax 864.721.4232 • 800.230.5421



# 77 Series Electric Bender with Multi-Shoe Groups



## Bend Radius Chart

Size	EMT	IMC	Rigid
1/2"	4-1/4	4-3/8	4-3/8
3/4"	5-3/8	4-1/2	4-1/2
1"	6-3/4	5-3/4	5-3/4
1 1/4"	8-3/4	7-1/4	7-1/4
1 1/2"	8-9/32	8-9/32	8-1/4
2"	9-3/16	9-3/16	9-1/2



## SPECIFICATIONS

**Power Source**

120 vac; 20 amp  
GFCI protected  
receptacle  
required

**Capacity**

77RIG 1/2" to 2" Rigid conduit and  
1/2" to 1 1/4" IMC conduit  
77EMT 1/2" to 2" EMT conduit  
77IMC 1 1/2" to 2" IMC conduit  
77PVC 1/2" to 2" 40 mil PVC coated  
conduit

**Dimensions**

Height: 42"  
Width: 29.5"  
Depth: 24.5"

*See pages 18-19 for shoe groups.*





# BENDING

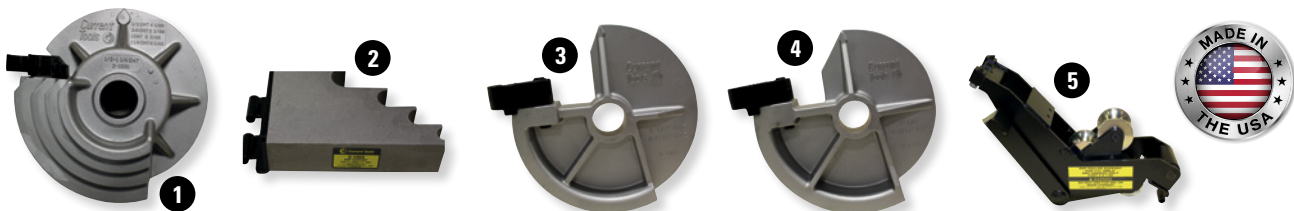
## 77 Series Electric Bender Multi-Shoe Group Assemblies

All shoes and roller supports will fit Greenlee® 555® Classic Bender\*



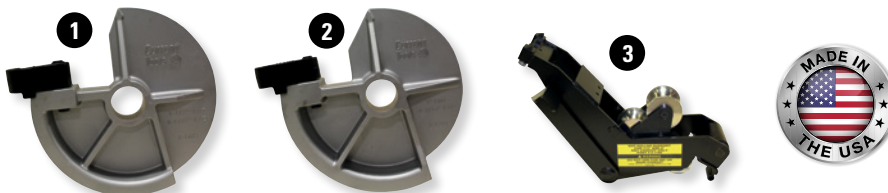
### 700R 1/2" - 2" Rigid Shoe Group — UPC 811993020322

Item Number	Catalog Number	Description	Weight	
1	2-1301	1/2"- 1-1/4" Rigid and IMC bending shoe	23 lbs.	UPC 811993020339
2	2-1001	1/2"- 1-1/4" Rigid and IMC support roller	8 lbs.	UPC 811993020346
3	2-1401	1-1/2" and 2" Rigid bending shoe	37 lbs.	UPC 811993020353
4	2-1002	1-1/2" and 2" Rigid support roller	6 lbs.	UPC 811993020360



### 700E 1/2" to 2" EMT Shoe Group — UPC 811993020377

Item Number	Catalog Number	Description	Weight	
1	2-1501	1/2" - 1-1/4" EMT bending shoe	24 lbs.	UPC 811993020384
2	2-1003	1/2" - 1-1/4" EMT support unit	6 lbs.	UPC 811993020391
3	2-1601	1-1/2" EMT bending shoe	23 lbs.	UPC 811993020407
4	2-1701	2" EMT bending shoe	31 lbs.	UPC 811993020414
5	2-1100	1-1/2" - 2" EMT support roller unit	40 lbs.	UPC 811993020421
not shown	8-0501	Metal storage box (see page 100.)	36 lbs.	UPC 811993020438



### 700ES 1 1/2" to 2" EMT Shoe Group — UPC 811993020445

Item Number	Catalog Number	Description	Weight	
1	2-1601	1-1/2" EMT bending shoe	23 lbs.	UPC 811993020407
2	2-1701	2" EMT bending shoe	31 lbs.	UPC 811993020414
3	2-1100	1-1/2" - 2" EMT support roller unit	40 lbs.	UPC 811993020421

\*Greenlee® and 555® are registered trademarks of Greenlee Tools, Inc.



**Current Tools**  
FOR THE PROFESSIONAL ELECTRICIAN

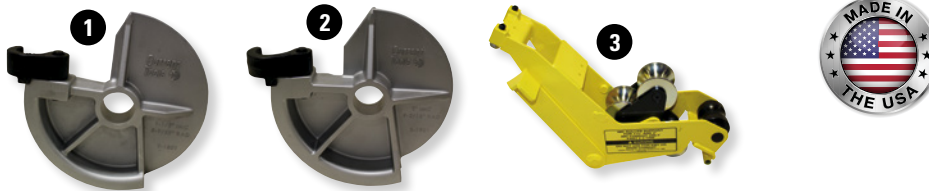
[www.currenttools.com](http://www.currenttools.com)

P.O. Box 17026 • Greenville, SC 29606 • 864.721.4230 • fax 864.721.4232 • 800.230.5421



## 77 Series Electric Bender Multi-Shoe Group Assemblies

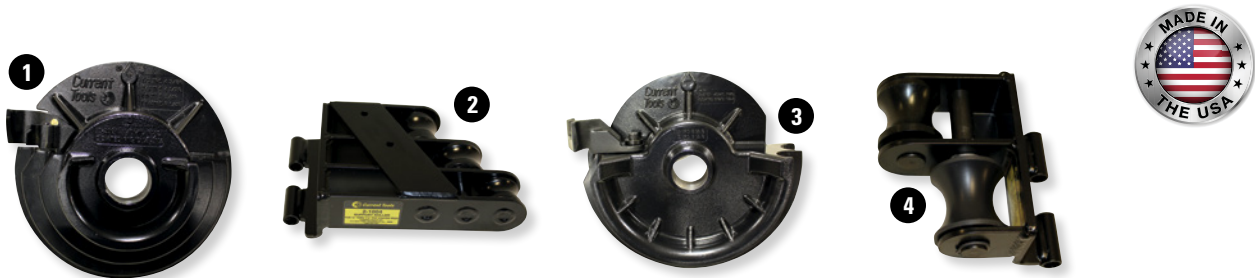
All shoes and roller supports will fit Greenlee® 555® Classic Bender\*



### 700I 1 1/2" to 2" IMC Shoe Group — UPC 811993020483

Item Number	Catalog Number	Description	Weight	
1	2-1801	1-1/2" IMC bending shoe	22 lbs.	UPC 811993020452
2	2-1901	2" IMC bending shoe	29 lbs.	UPC 811993020469
3	2-1200	1-1/2" and 2" IMC support roller unit	40 lbs.	UPC 811993020476
not shown	8-0501	Metal storage box (see page 100.)	36 lbs.	UPC 811993020438

*1/2" thru 1-1/4" IMC can be bent using small rigid shoe & roller support*



### 700P 1/2" - 2" 40 mil PVC Coated Rigid Shoe Group — UPC 811993020490

Item Number	Catalog Number	Description	Weight	
1	2-2001	1/2"- 1-1/4" PVC coated rigid bending shoe	23 lbs.	UPC 811993020506
2	2-1004	1/2"- 1-1/4" PVC coated rigid support roller	8 lbs.	UPC 811993020513
3	2-2101	1-1/2" and 2" PVC coated rigid bending shoe	37 lbs.	UPC 811993020520
4	2-1005	1-1/2" and 2" PVC coated rigid support roller	6 lbs.	UPC 811993020537
not shown	8-0501	Metal storage box (see page 100.)	36 lbs.	UPC 811993020438

\*Greenlee® and 555® are registered trademarks of Greenlee Tools, Inc.