



BENDING

77 Series Electric Bender with Single Shoe Groups

- Only one shoe and roller support needed to bend 1/2"-2" for each type of conduit
- Rugged and dependable electrical system
- Easy to maintain and service
- Removable handle to allow for dogleg bends
- Two year warranty
- No PC boards
- Simple, reliable electrical components
- All major electrical components are interchangeable with Model #747 Omni™ Bender
- Flat free wheels
- Made in the USA



Scan here for manual



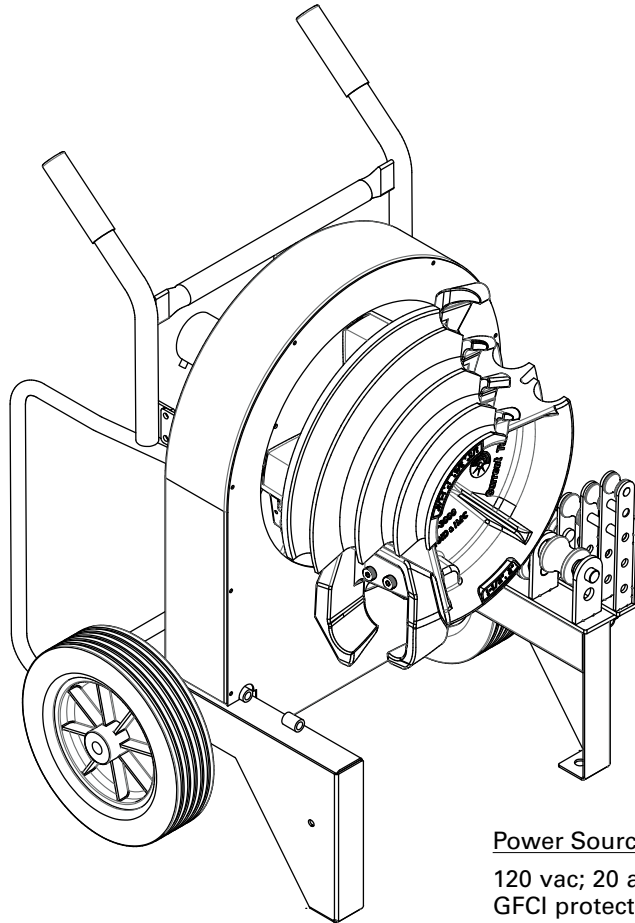
Current Tools
FOR THE PROFESSIONAL ELECTRICIAN

www.currenttools.com

P.O. Box 17026 • Greenville, SC 29606 • 864.721.4230 • fax 864.721.4232 • 800.230.5421



77 Series Electric Bender with Single Shoe Groups



Only one shoe and roller support needed to bend 1/2"–2" for each type of conduit.

Bend Radius Chart

Size	EMT	IMC	Rigid
1/2"	4 5/16"	4 1/4"	4 1/4"
3/4"	5-1/2"	5 7/16"	5 7/16"
1"	7"	6 15/16"	6 15/16"
1 1/4"	8 13/16"	8 3/4"	8 3/4"
1 1/2"	8 3/8"	8 1/4"	8 1/4"
2"	9 1/4"	9"	9"

SPECIFICATIONS

Power Source	Capacity	Dimensions
120 vac; 20 amp GFCI protected receptacle required	77SR 1/2" to 2" Rigid conduit 77SI 1/2" to 2" IMC conduit 77SE 1/2" to 2" EMT conduit 77SP 1/2" to 2" PVC coated Rigid	Height: 42" Width: 29.5" Depth: 24.5"

Catalog Number	Description	Weight	
77	77 Series Electric Bender Power Source only (no shoes)	270 lbs.	UPC 811993020261
77SR	77 Series 1/2" to 2" Rigid Single Shoe Bender	334 lbs.	UPC 811993025495
77SI	77 Series 1/2" to 2" IMC Single Shoe Bender	369 lbs.	UPC 811993025501
77SE	77 Series 1/2" to 2" EMT Single Shoe Bender	361 lbs.	UPC 811993025518
77SP	77 Series 1/2" to 2" PVC Coated Rigid Single Shoe Bender	330 lbs.	UPC 811993025525

Contact factory for specifications and availability for Model #77 – 220 Volt Bender

See pages 14-15 for single shoe groups.

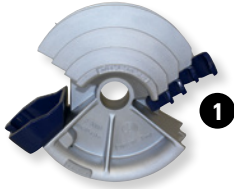




BENDING

77 Series Electric Bender Single Shoe Groups

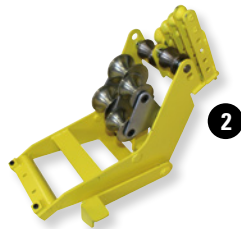
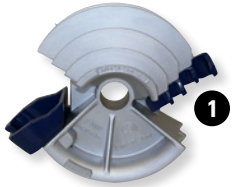
All shoes and roller supports will fit Greenlee® 555® Classic Bender*



700SR 1/2"-2" Rigid Single Shoe Group — UPC 811993025419

Item Number	Catalog Number	Description	Weight	
1	2-3000	Single shoe for Rigid and IMC	51 lbs.	UPC 811993025389
2	2-4000	Single shoe roller support for Rigid	13 lbs.	UPC 811993025457
3	8-0501	Metal storage box	36 lbs.	UPC 811993020438

NOTE: When bending 1 1/2" and 2" Rigid aluminum conduit it will be necessary to use the 2-4100 IMC single shoe roller support.



700SI 1/2" – 2" IMC Single Shoe Group — UPC 811993025426

Item Number	Catalog Number	Description	Weight	
1	2-3000	Single shoe for Rigid and IMC	51 lbs.	UPC 811993025389
2	2-4100	Single shoe roller support for IMC	48 lbs.	UPC 811993025464
3	8-0501	Metal storage box	36 lbs.	UPC 811993020438

*Greenlee® and 555® are registered trademarks of Greenlee Tools, Inc.



Current Tools
FOR THE PROFESSIONAL ELECTRICIAN

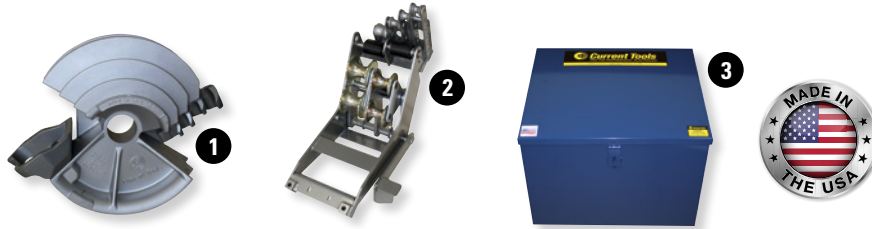
www.currenttools.com

P.O. Box 17026 • Greenville, SC 29606 • 864.721.4230 • fax 864.721.4232 • 800.230.5421



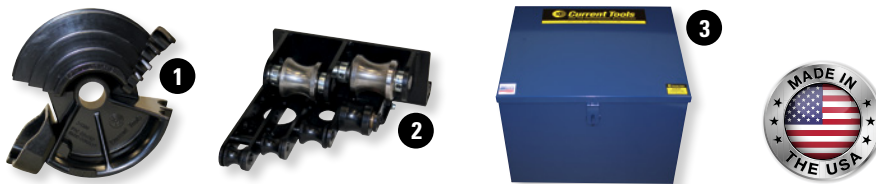
77 Series Electric Bender Single Shoe Groups

All shoes and roller supports will fit Greenlee® 555® Classic Bender*



700SE 1/2" – 2" EMT Single Shoe Group — UPC 811993025433

Item Number	Catalog Number	Description	Weight	
1	2-3100	Single shoe for EMT	43 lbs.	UPC 811993025396
2	2-4200	Single shoe roller support for EMT	48 lbs.	UPC 811993025471
3	8-0501	Metal storage box	36 lbs.	UPC 811993020438



700SP 1/2" – 2" 40 Mil PVC Coated Rigid Single Shoe Group — UPC 811993025440

Item Number	Catalog Number	Description	Weight	
1	2-3200	Single shoe for 40 Mil PVC Coated Conduit	47 lbs.	UPC 811993025402
2	2-4300	Single shoe roller support for 40 Mil PVC Coated Conduit	13 lbs.	UPC 811993025488
3	8-0501	Metal storage box	36 lbs.	UPC 811993020438

*Greenlee® and 555® are trademarks of Greenlee Tools, Inc.

