



## 270 Hydraulic Rigid Conduit Bender

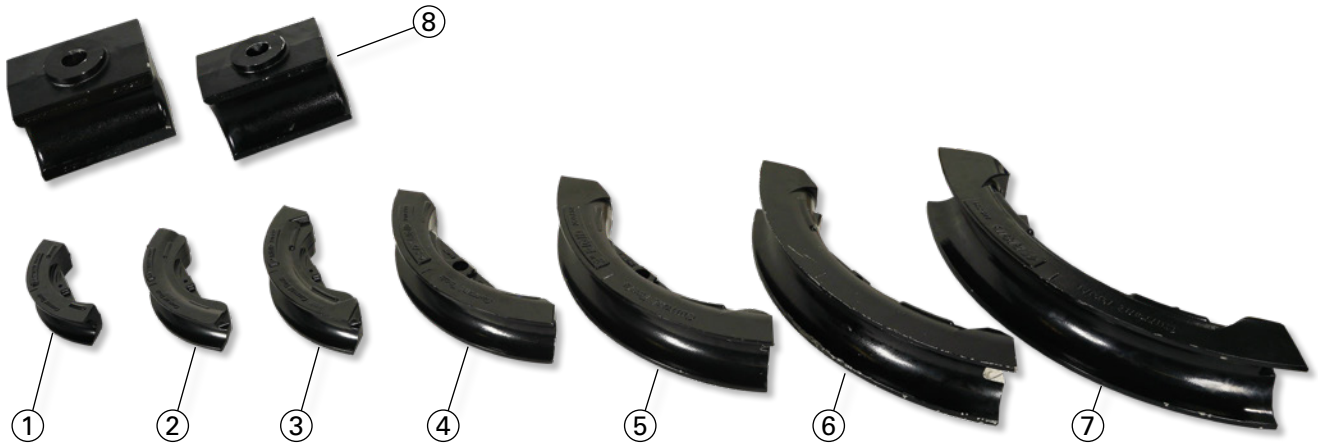
- Bends 1¼" through 4" Rigid with one shot shoes and 5" Rigid with segment shoe
- Lightweight aluminum components are designed for years of dependable service
- Accurately and easily bends elbows, offsets, and saddles
- Optional PVC-Coated Rigid conduit shoes and conduit supports are available
- Optional 280 bending table available to keep bender at a comfortable working height



Catalog Number	Description	Weight	UPC
270	1 ¼" through 4" Rigid hydraulic conduit bender	429	811993027345
270P	1 ¼" through 4" Rigid hydraulic conduit bender with #292 electric hydraulic pump	540	811993027352
270P-280	1 ¼" through 4" Rigid hydraulic conduit bender with #292 electric hydraulic pump and #280 bending table	723	811993027369
271	1 ¼" through 4" one shot and 5" segment Rigid hydraulic conduit bender	457	811993027376
271P	1 ¼" through 4" one shot and 5" segment Rigid hydraulic conduit bender with #292 electric hydraulic pump	568	811993027383
271P-280	1 ¼" through 4" one shot and 5" segment Rigid hydraulic conduit bender with #292 electric hydraulic pump and #280 bending table	751	811993027390
270PVC	1 ¼", 1 ½", 2", 3", and 4" PVC coated Rigid conduit bender	396	811993027406
270PVC-P	1 ¼", 1 ½", 2", 3", and 4" PVC coated Rigid conduit bender with #292 electric hydraulic pump	507	811993027413
270PVC-P280	1 ¼", 1 ½", 2", 3", and 4" PVC coated Rigid conduit bender with #292 electric hydraulic pump and #280 bending table	690	811993027420



# 270 Hydraulic Bender PVC Coated Rigid Shoes and Accessories



## CONDUIT CENTERLINE BENDING RADII – PVC COATED RIGID

SHOE SIZE	1 ¼"	1 ½"	2"	2 ½"	3"	3 ½"	4"
BENDING RADIUS (INCHES)	7 ¼"	8 ¼"	9 ½"	11 7/16"	13 ¾"	16"	18 ¼"

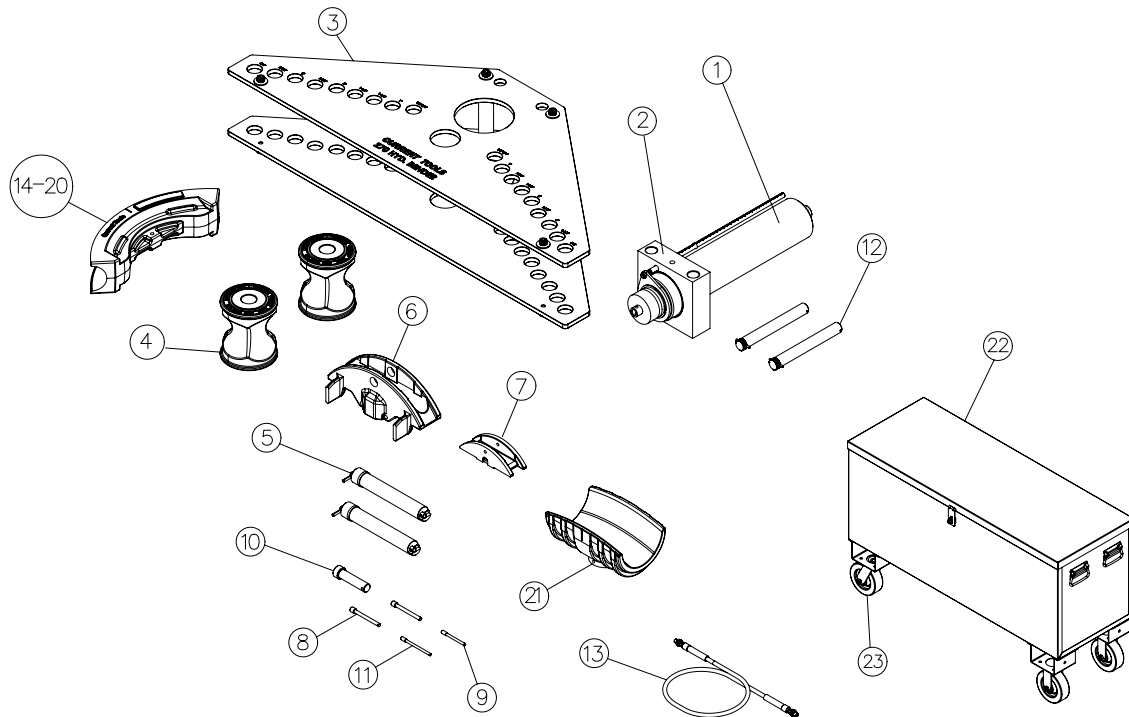
ITEM	CURRENT TOOLS PART #	GREENLEE®* PART #	DESCRIPTION	QTY.
1	270-210	33459	SHOE, PVC COATED RIGID – 1 ¼"	1
2	270-211	33463	SHOE, PVC COATED RIGID – 1 ½"	1
3	270-212	33462G	SHOE, PVC COATED RIGID – 2"	1
4	270-213	34321	SHOE, PVC COATED RIGID – 2 ½"	1
5	270-214	34340	SHOE, PVC COATED RIGID – 3"	1
6	270-215	34342G	SHOE, PVC COATED RIGID – 3 ½"	1
7	270-216	34344	SHOE, PVC COATED RIGID – 4"	1
8	270-217	33454	CONDUIT SUPPORT – PVC COATED RIGID	2

\*Greenlee® is a registered trademark of Greenlee Tools, Inc.



# BENDING

## 270 Hydraulic Bender Major Components



ITEM	CURRENT TOOLS PART #	GREENLEE®* PART #	DESCRIPTION	QTY.
1	270-124	1737	CYLINDER — HYDRAULIC (INCLUDES ITEM #2)	1
2	270-109		CYLINDER MOUNTING BLOCK	1
3	270-125	16754	FRAME ASSEMBLY	1
4	270-117	15671	SUPPORT — RIGID CONDUIT	2
5	270-123	16747	PIN — CONDUIT SUPPORT	2
6	270-118	16741	ADAPTER — SHOE (LARGE)	1
7	270-119	10939	ADAPTER — SHOE (SMALL)	1
8	270-105	10946	PIN — SHOE ADAPTER (LARGE)	2
9	270-104	25184	PIN — SHOE ADAPTER (SMALL)	1
10	270-103	10963	PIN — SHOE (LARGE)	1
11	270-106	10826	PIN — SHOE (SMALL)	1
12	270-121	16753	PIN — CYLINDER BLOCK	2
13	291	11289	HOSE — HYDRAULIC	1
14	270-110	10920	SHOE, RIGID — 1 1/4"	1
15	270-111	10921	SHOE, RIGID — 1 1/2"	1
16	270-112	10922	SHOE, RIGID — 2"	1
17	270-113	10923	SHOE, RIGID — 2 1/2"	1
18	270-114	10924	SHOE, RIGID — 3"	1
19	270-115	10925	SHOE, RIGID — 3 1/2"	1
20	270-116	14265	SHOE, RIGID — 4"	1
21	270-120	15669	SHOE — SEGMENT, RIGID — 5"	1
22	106	19811	BOX, METAL STORAGE	1
23	506	603	CASTER SET — 2 RIGID, 2 SWIVEL	1

\*Greenlee® is a registered trademark of Greenlee Tools, Inc.



**Current Tools**  
FOR THE PROFESSIONAL ELECTRICIAN

[www.currenttools.com](http://www.currenttools.com)

P.O. Box 17026 • Greenville, SC 29606 • 864.721.4230 • fax 864.721.4232 • 800.230.5421