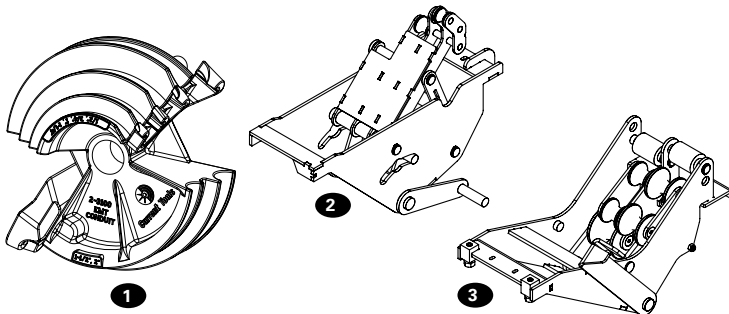




# BENDING

## 77SAE Electric Bender with Shoe and Roller Supports for 1/2" thru 2" Aluminum EMT

- Only electric bender manufactured specifically for aluminum EMT conduit
- Rugged and dependable electrical system
- Easy to maintain and service
- Removable handle to allow for dogleg bends
- Simple, reliable electrical components
- Two year warranty
- No PC boards
- Bender includes storage box
- Flat free wheels
- Made in the USA



700SAE – for bending 1/2" thru 2" aluminum EMT conduit *includes the following items*

Item Number	Catalog Number	Description	Weight	
1	2-3100	1/2" thru 2" bending shoe	43 lbs.	UPC 811993025396
2	2-4400	1/2" thru 1" roller support	36 lbs.	UPC 811993027536
3	2-4500	1 1/4" thru 2" roller support	45 lbs.	UPC 811993027543

Scan here for manual



**Current Tools**  
FOR THE PROFESSIONAL ELECTRICIAN

[www.currenttools.com](http://www.currenttools.com)

P.O. Box 17026 • Greenville, SC 29606 • 864.721.4230 • fax 864.721.4232 • 800.230.5421