



CABLE PULLING

88 Cable Puller with Carriage — featuring **ROTABOOM™** 8,000 lb. Capacity

- 8,000lb. pulling capacity
- Built-in force gauge
- One person set up
- Four wheel carriage for stability and ease of transport
- Patented 45° horizontal pivot (Rotaboom™) allows for use of puller in tight spaces
- Reliable jobsite proven drive train
- Boom height adjustment handle allows for easy vertical positioning of boom sections with little effort
- Snap-in couplings for quick and easy set-up
- Fits through 32" doorway
- Flat-free urethane wheels

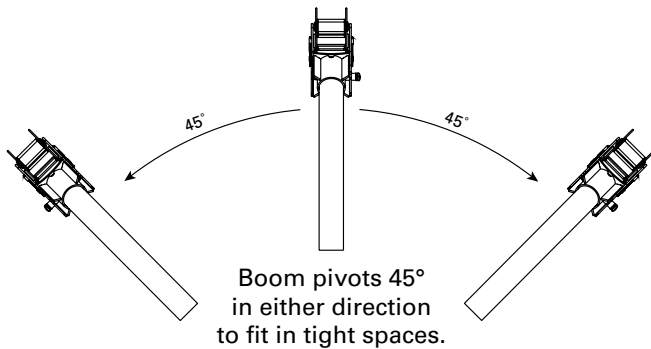
maximum pulling force — 8,000 lbs.

speeds (approx.) no load — 16 FPM
 4,000 lbs. — 9 FPM
 6,000 lbs. — 7 FPM

motor — 120 volts AC, 60 hertz, 15 amps



with patented
ROTABOOM™
 Patent # 9,899,811



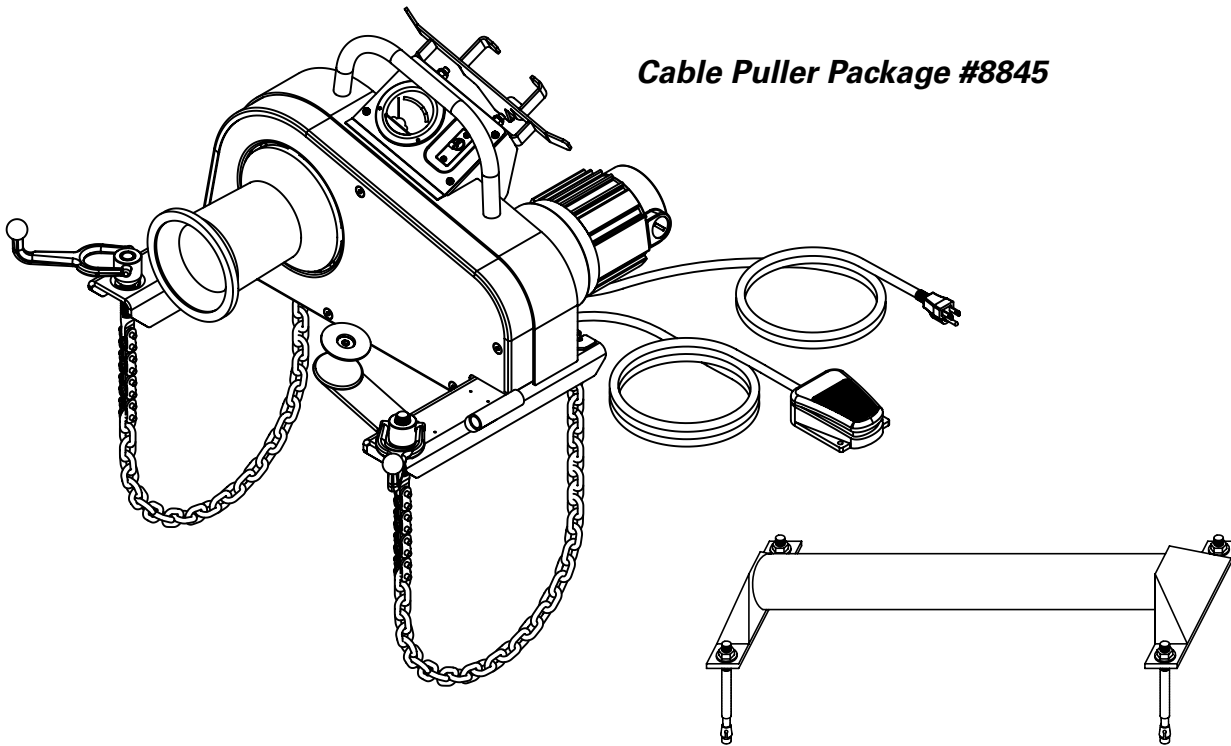
Catalog Number	Description	Weight	
8288	Model 88 Cable Puller with Carriage Comes standard with Item Numbers 1-12	398 lbs.	UPC 811993027475
8288LP	Rotaboom™ Mobile Carriage LESS #88 Puller Comes standard with item numbers 2-12	297 lbs.	UPC 811993027505
8845	Model 88 Cable Puller with #8045 Floor Mount	121 lbs.	UPC 811993021930



Current Tools
 FOR THE PROFESSIONAL ELECTRICIAN

www.currenttools.com

P.O. Box 17026 • Greenville, SC 29606 • 864.721.4230 • fax 864.721.4232 • 800.230.5421



Cable Puller Package #8845

Component Listings – 8,000 lb. Puller

Item Number	Catalog Number	Description	Weight	Model 8288	Model 8288LP	Model 8845	UPC#
1	88	Cable Puller – 8,000 lb Capacity	101 lbs.	1		1	811993021923
2	1710	Elbow Unit	43 lbs.	1	1		811993025839
3	1840	(optional) Nose Unit	33 lbs.				811993025846
3A	1840-S	Nose Unit with Sheave	34 lbs.	1	1		811993026478
4	1000	Mobile Carriage	75 lbs.	1	1		811993025853
5	8290	Puller Mount	89 lbs.	1	1		811993027512
6	1850	Boom Tube – 36" Long	13 lbs.	1	1		811993025877
7	1860	Boom Tube – 48" Long	17 lbs.	1	1		811993025884
8	198	Coupling – 2"	1.6 lbs.	1	1		811993025891
9	199	Coupling – 2 1/2"	1.9 lbs.	1	1		811993025907
10	200	Coupling – 3"	2.4 lbs.	1	1		811993025914
11	201	Coupling – 3 1/2"	3.8 lbs.	1	1		811993025921
12	202	Coupling – 4"	4.3 lbs.	1	1		811993025938
13	230	(optional) Coupling – 5"	4.8 lbs.				811993025945
14	255	(optional) Coupling – 6"	5.5 lbs.				811993026102
15	8045	Floor Mount	16 lbs.				811993026034
16	259	(optional) Screw-on Coupling – 2"	2.1 lbs.			1	811993022005
17	260	(optional) Screw-on Coupling – 2 1/2"	2.4 lbs.				811993025990
18	261	(optional) Screw-on Coupling – 3"	2.9 lbs.				811993026003
19	262	(optional) Screw-on Coupling – 3 1/2"	4.3 lbs.				811993026010
20	263	(optional) Screw-on Coupling – 4"	4.8 lbs.				811993026027

