



# Current Tools

FOR THE PROFESSIONAL ELECTRICIAN

## Model 513 Elevator Conduit Cart

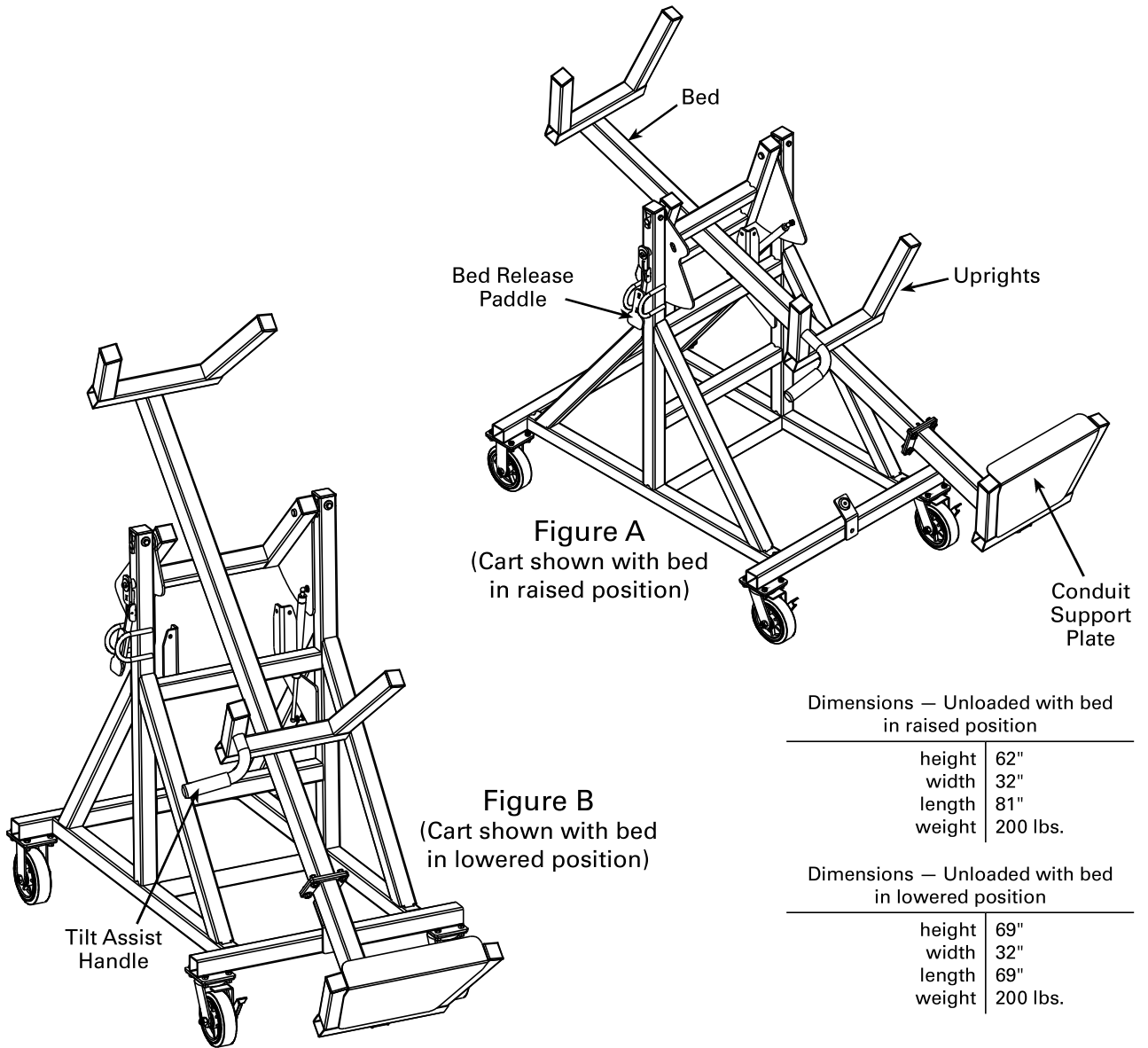


Figure A  
(Cart shown with bed in raised position)


Figure B  
(Cart shown with bed in lowered position)

Dimensions — Unloaded with bed in raised position

height	62"
width	32"
length	81"
weight	200 lbs.

Dimensions — Unloaded with bed in lowered position

height	69"
width	32"
length	69"
weight	200 lbs.



**Read and understand this material before operating the Elevator Conduit Cart. Failure to understand how to safely operate this cart may result in injury or property damage.**

This manual is free of charge. All personnel who operate the Elevator Conduit Cart should have a copy of this manual and read and understand its contents. To request a copy, call, write to the address below, or visit our website. All information, specifications and product designs may change due to design improvements or updates and are subject to change without notice. Current Tools does not assume any liability for damages resulting from misuse or incorrect application of its products.

# OPERATING INSTRUCTIONS AND CONDUIT WEIGHT CHART

## OPERATING INSTRUCTIONS

- Lock the swivel casters
- Load conduit onto the cart by placing it between the uprights. ALL conduit loaded onto the cart must be seated against the conduit support plate. The cart may be loaded with the bed in either the raised or lowered position.
- The MAXIMUM capacity for the elevator cart is 500 lbs. See conduit weight chart to the right or on the decal located on the cart for individual conduit size weights.
- The elevator conduit cart bed has two latched positions, raised and lowered. When rolling a loaded cart, the bed may be in either position.
- As you enter the elevator, release the bed from the raised position by grasping the tilt assist handle and depressing the bed release paddle on the side of the cart. Tilt the bed down to the lowered position until it latches.
- As you exit the elevator, release the bed from the lowered position by grasping the tilt assist handle and depressing the bed release paddle on the side of the cart. Once clear of the elevator, continue to lift the bed with the tilt assist handle until the bed latches in the raised position.

## MODEL 513 500 LB. MAX. CAPACITY CONDUIT WEIGHT CHART

Conduit Size	Rigid/IMC Conduit	EMT Conduit
	Lbs./10'	Lbs./10'
1/2"	8.5	3.0
3/4"	11.3	4.6
1"	16.8	6.7
1 1/4"	22.7	10.1
1 1/2"	27.2	11.6
2"	36.5	14.8
2 1/2"	57.9	21.8
3"	75.8	26.3
3 1/2"	91.1	34.9
4"	107.9	39.3

Grease pivot pin as needed with a good quality multi-purpose grease. (See exploded view on Page 3).

### CAUTION

#### DO NOT OVERLOAD

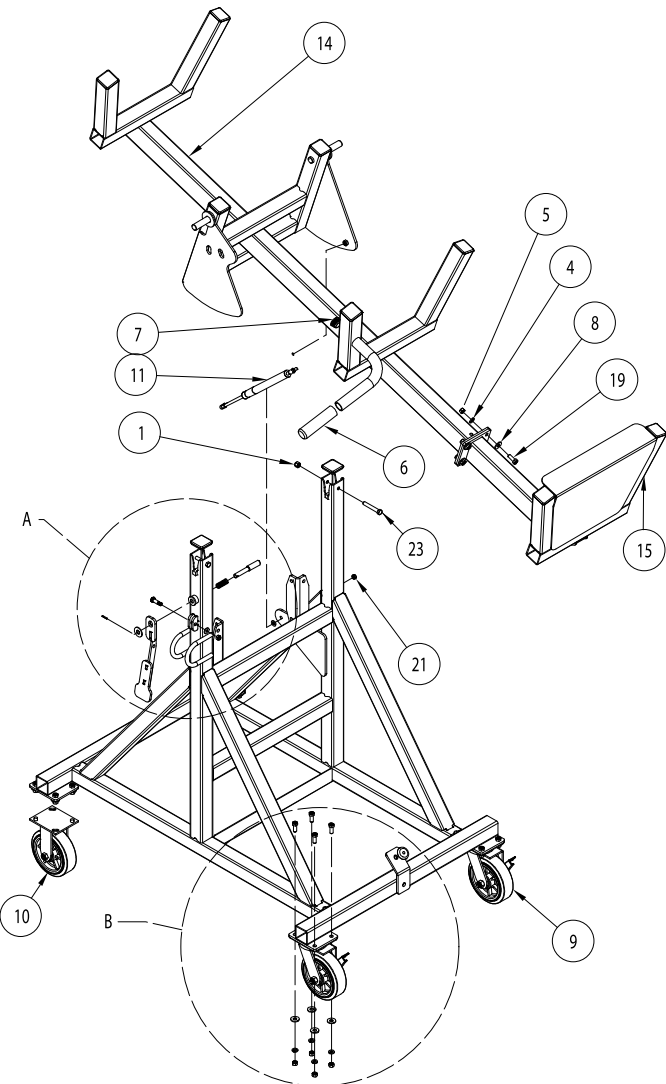
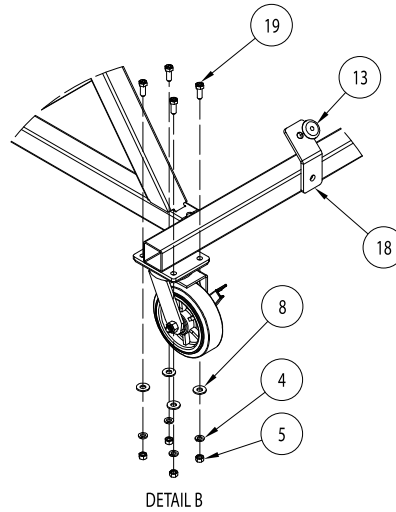
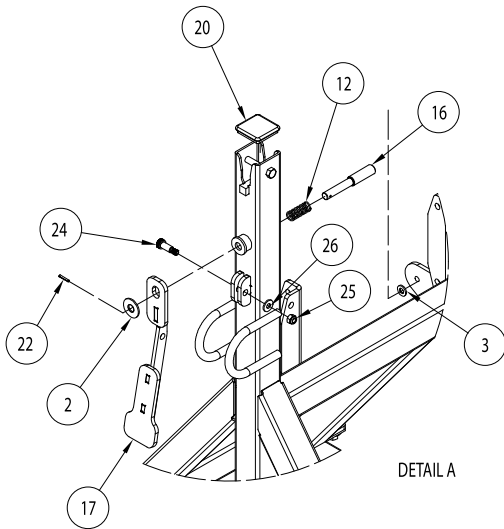
Maximum capacity: 500 lbs.

Always consult conduit weight chart prior to loading any conduit onto the Elevator Conduit Cart.

### CAUTION

- ONLY roll on a firm, flat, smooth surface
- DO NOT run while pushing cart
- AVOID obstructions
- BE AWARE of pinch points
- ONLY use the Elevator Conduit Cart for its intended purpose
- NEVER stand or sit under cart
- DO NOT lift or transport a loaded cart with forklift
- NEVER sit, ride or stand on cart
- ONLY load 10' sticks of conduit onto the Elevator Conduit Cart
- NEVER exceed the load capacity of the elevator

# EXPLODED VIEW AND PARTS LIST



ITEM NO.	PART NUMBER	DESCRIPTION	QTY.
1	2-1501-4	NUT-HEX NYLON INSERT (3/8-16)	2
2	280-2F	(7/16) .50 ID X 1.25 OD X .083 WASHER	1
3	412-12	WASHER-FLAT SAE ZINC (5/16)	1
4	452-27	3/8 LOCK WASHER	20
5	452-28	3/8-16 HEX NUT	20
6	504-1	GRIP	1
7	505-18	CAP-PLUG	1
8	506-3	WASHER-FLAT 3/8 (USS) ZINC	20
9	513-001	CASTER, SWIVEL	2
10	513-002	CASTER, RIGID	2
11	513-003	LINEAR SPEED LIMITER	1
12	513-005	SPRING	1
13	513-007	RUBBER GROMMET	1
14	513-112	UPPER CRADLE	1
15	513-118	CONDUIT REST PLATE	1
16	513-137	PIN, CLOCKING	1
17	513-142	PIN LEVER	1
18	513-147	BASE TO UPRIGHTS	1
19	524-11	SCREW-HEX HEAD CAP GR5 ZINC (3/8-16 x 1)	20
20	5633WC-1	PLUG-CAP 2x2	10
21	752-121	NUT-HEX NYLON INSERT THIN (5/16-18)	1
22	77-035A	ROLL PIN 1/8 x 3/4	1
23	99-77	3/8-16 X 2.5" HEX HEAD SCREW	2
24	77HRB-001	SCREW-SHOULDER SOCKET (3/8 x 3/4")	1
25	2-1301-4	NUT-HEX NYLON INSERT (5/16"-18)	1
26	450-14I	WASHER-FLAT ZINC 1/4"(USS)	1
27	513-DECAL	DECAL SHEET	1