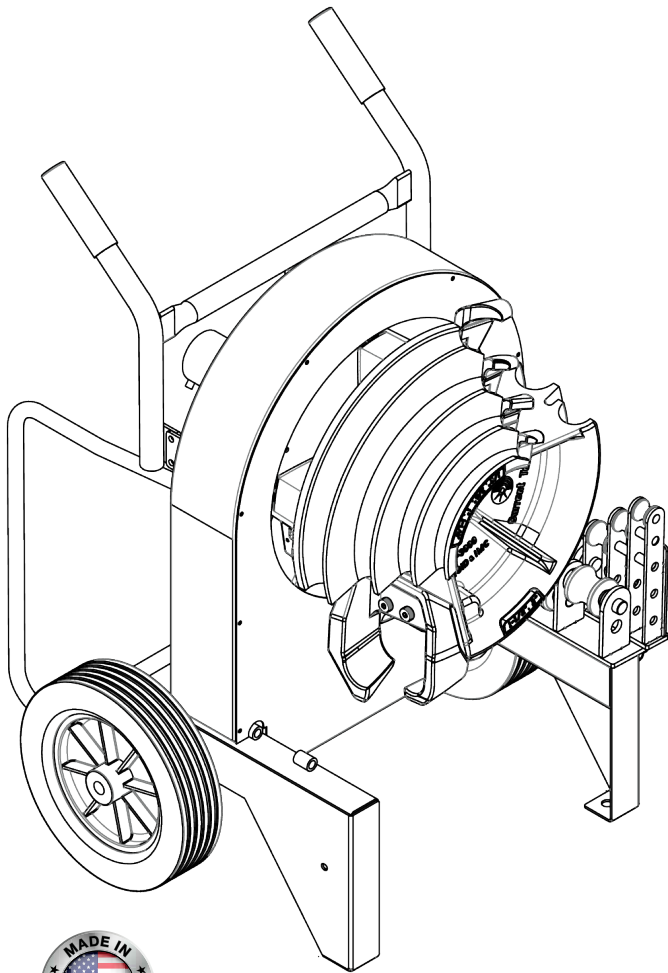


- **Only one shoe and roller support needed** to bend 1/2"–2" for each type of conduit
- **Rugged and dependable** electrical system
- **Easy to maintain** and service
- **Removable handle** to allow for dogleg bends
- Two year **warranty**
- **No PC boards**
- **Simple, reliable** electrical components
- **All major electrical components are interchangeable** with Model #747 Omni™ Bender
- **Flat free wheels**
- **Made in the USA**



Scan Here
For Manual

Only one shoe and roller support needed to bend 1/2"–2" for each type of conduit.



Bend Radius Chart

SIZE	EMT	IMC	RIGID
1/2"	4 5/16"	4 1/4"	4 1/4"
3/4"	5-1/2"	5 7/16"	5 7/16"
1"	7"	6 15/16"	6 15/16"
1 1/4"	8 13/16"	8 3/4"	8 3/4"
1 1/2"	8 3/8"	8 1/4"	8 1/4"
2"	9 1/4"	9"	9"

Specifications

Power Source	Capacity	Dimensions
120 vac; 20 amp GFCI protected receptacle required	77SR: 1/2" to 2" Rigid conduit	Height: 42"
	77SI: 1/2" to 2" IMC conduit	Width: 29.5"
	77SE: 1/2" to 2" EMT conduit	Depth: 24.5"
	77SP: 1/2" to 2" PVC coated rigid	

Item #	Description	Weight	UPC#
77	77 Series Electric Bender Power Source only (no shoes)	270 lb.	811993020261
77SR	77 Series 1/2" to 2" Rigid Single Shoe Bender	344 lb.	811993025495
77SI	77 Series 1/2" to 2" IMC Single Shoe Bender	369 lb.	811993025501
77SE	77 Series 1/2" to 2" EMT Single Shoe Bender	361 lb.	811993025518
77SP	77 Series 1/2" to 2" PVC Coated Rigid Single Shoe Bender	330 lb.	811993025525

Contact factory for specifications and availability for Model #77 – 220 Volt Bender

- **Rugged and dependable** electrical system
- **Easy to maintain** and service
- **Removable handle** to allow for dogleg bends
- Two year **warranty**
- **No PC boards**
- **Simple, reliable** electrical components
- **All major electrical components are interchangeable** with Model #747 Omni™ Bender
- **Flat free wheels**
- **Made in the USA**



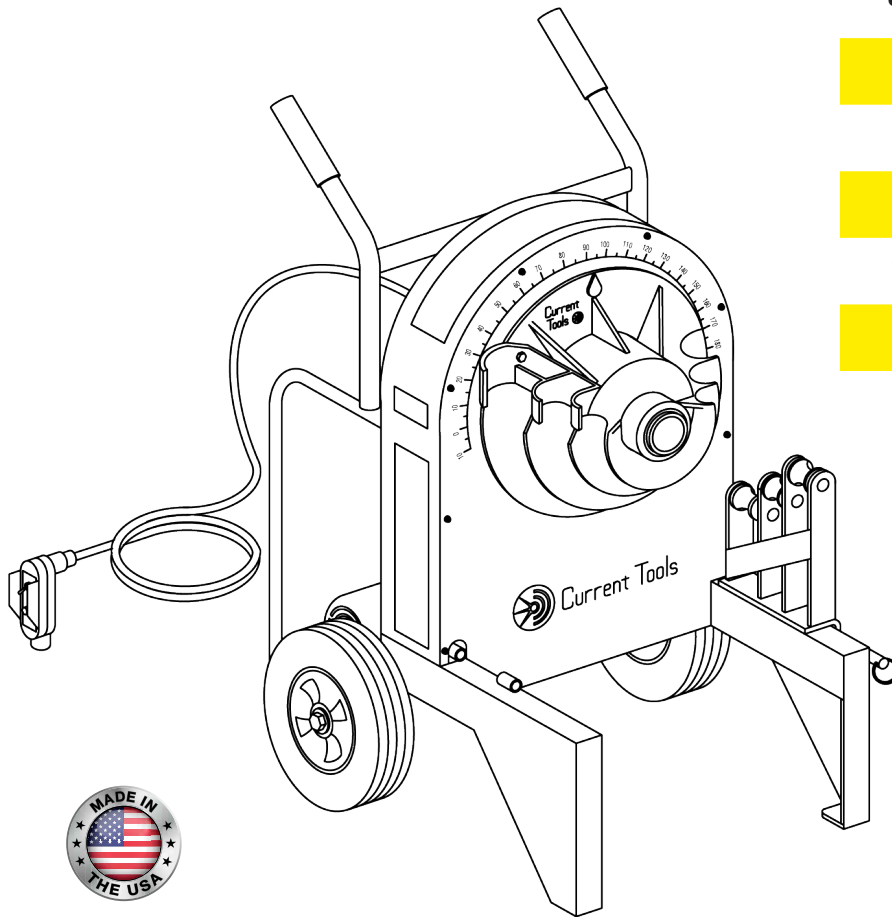
Scan Here
For Manual



Item #	Description	Weight	UPC#
77	Electric Bender Power Source only (no shoes)	270 lb.	811993020261
77RIG	77 Series ½" to 2" Rigid Multi-Shoe Bender	344 lb.	811993020278
77EMT	77 Series ½" to 2" EMT Multi-Shoe Bender	394 lb.	811993020285
77IMC	77 Series 1 ½" to 2" IMC Multi-Shoe Bender	361 lb.	811993020292
77PVC	77 Series ½" to 2" 40 mil PVC Coated Rigid Multi-Shoe Bender	344 lb.	811993020308

Bend Radius Chart

SIZE	EMT	IMC	RIGID
1/2"	4-1/4"	4-3/8"	4-3/8"
3/4"	5-3/8"	4-1/2"	4-1/2"
1"	6-3/4"	5-3/4"	5-3/4"
1 1/4"	8-3/4"	7-1/4"	7-1/4"
1 1/2"	8-9/32"	8-9/32"	8-1/4"
2"	9-3/16"	9-3/16"	9-1/2"



Specifications

Power Source

120 vac; 20 amp GFCI protected receptacle required

Capacity

77RIG: 1/2" to 2" Rigid conduit and 1/2" to 1 1/4" IMC conduit

77EMT: 1/2" to 2" EMT conduit

77IMC: 1 1/2" to 2" IMC conduit

77PVC: 1/2" to 2" 40 mil PVC coated conduit

Dimensions

Height: 42"

Width: 29.5"

Depth: 24.5"